

ELEVATION

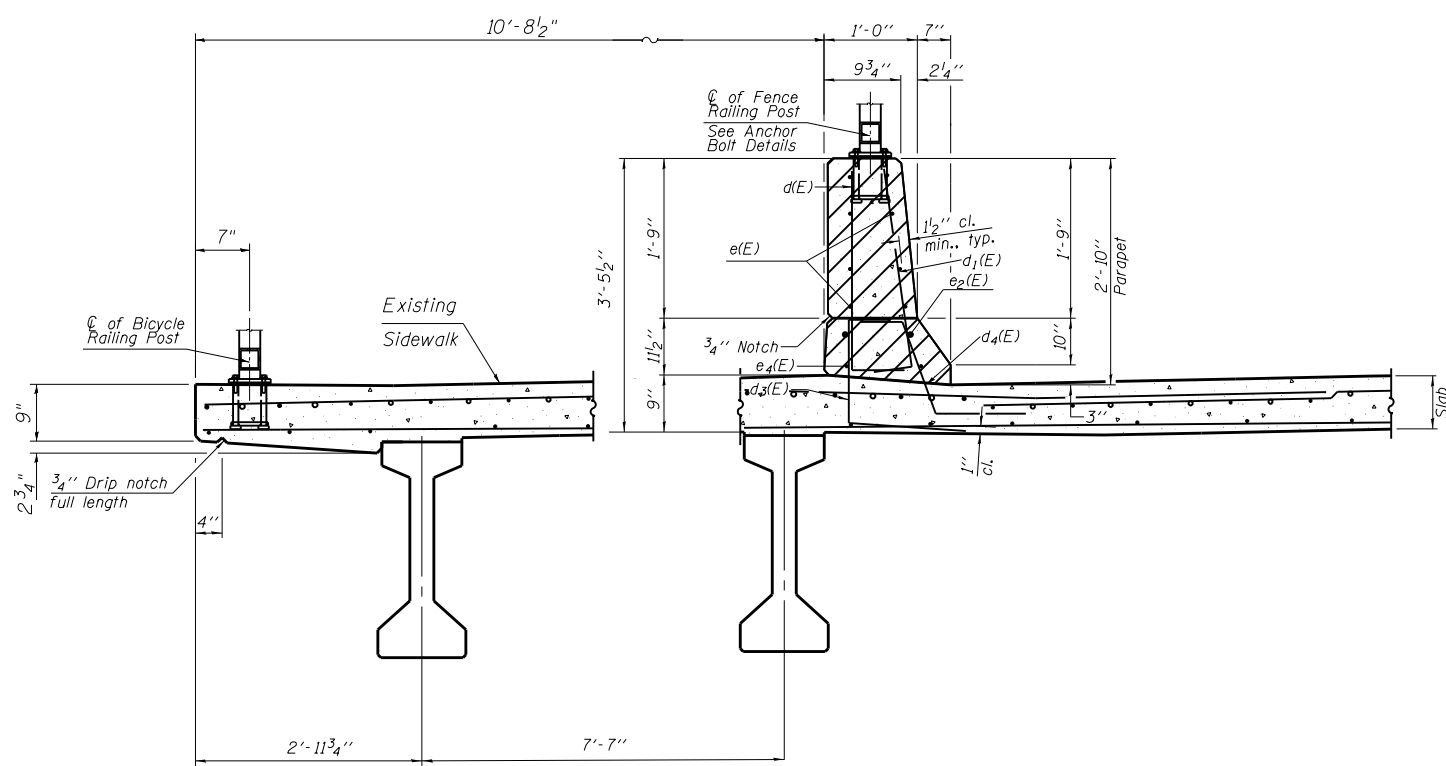
LEGEND



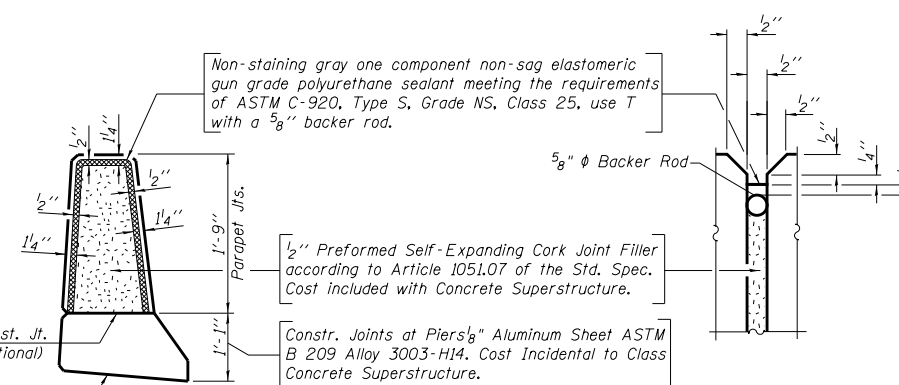
HATCHED AREA INDICATES CONCRETE REMOVAL

SUPERSTRUCTURE BILL OF MATERIAL

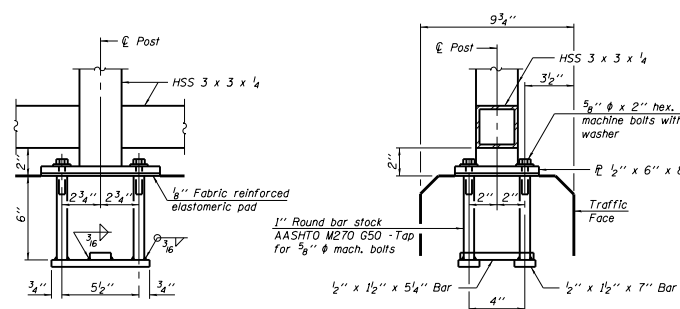
Bar	No.	Size	Length	Shape	
d(E)	15	#4	3'-0"	┌	
d1(E)	17	#5	3'-0"	└	
e(E)	6	#4	14'-7"	—	
e2(E)	2	#8	14'-7"	—	
e4(E)	2	#5	14'-7"	—	
REINFORCEMENT BARS, EPOXY COATED				Pound	250
CONCRETE SUPERSTRUCTURE				Cu. Yds.	1.3
CONCRETE REMOVAL				Cu. Yds.	1.3
SAW CUTS				Foot	6
PROTECTIVE COAT				Sq. Yds.	4.9



EXISTING SECTION THRU PARAPET



PARAPET JOINT DETAILS



EXISTING ANCHOR BOLT DETAILS

NOTES:

- 1) IN LIEU OF THE CAST-IN-PLACE ANCHOR DEVICE SHOWN, THE CONTRACTOR HAS THE OPTION OF DRILLING AND SETTING 5/8" DIAMETER ANCHOR RODS ACCORDING TO ARTICLE 509.06 OF THE STANDARD SPECIFICATIONS. EMBEDMENT SHALL BE ACCORDING TO THE MANUFACTURER SPECIFICATIONS.
- 2) THREADED RODS, NUTS AND WASHERS SHALL CONFORM TO AASHTO M164.
- 3) NUTS FOR 5/8" DIAMETER THREADED ANCHOR RODS CONNECTING THE BASE PLATE TO THE CONCRETE TO BE TIGHTENED TO A SNUG FIT AND GIVEN AN ADDITIONAL 1/8" TURN.
- 4) ALL STEEL ELEMENTS SHALL BE GALVANIZED ACCORDING TO ARTICLE 509.05 OF THE STANDARD SPECIFICATIONS.

**SOUTH PARAPET DETAILS
STRUCTURE NO. 022-0211**

**BAR d(E) &
BAR d1(E)**

BENT BAR DIAGRAM



NOTE:

- All edges shall have 3/4" chamfer.
- Bar length shall be verified in field prior to ordering the reinforcement.
- Work at this location should be done at night due to presence of sidewalk.

FILE NAME =	USER NAME = SEYMORECP	DESIGNED -	REVISED -	STATE OF ILLINOIS DEPARTMENT OF TRANSPORTATION	LOCATION 2 (SN 022-0211), SOUTH PARAPET SOUTH PARAPET, CHICAGO AVENUE AT IL 83 (KINGERY HIGHWAY)	F.A. R.E.	SECTION	COUNTY	TOTAL SHEETS	SHEET NO.	
Default	Plot Scale = 100.0000' / in.	DRAWN -	REVISED -			VAR.	2013-0411	VARIOUS	44	11	
	PLOT DATE = 7/11/2013	CHECKED -	REVISED -			CONTRACT NO. 60W86					
		DATE -	REVISED -			ILLINOIS FED. AID PROJECT					