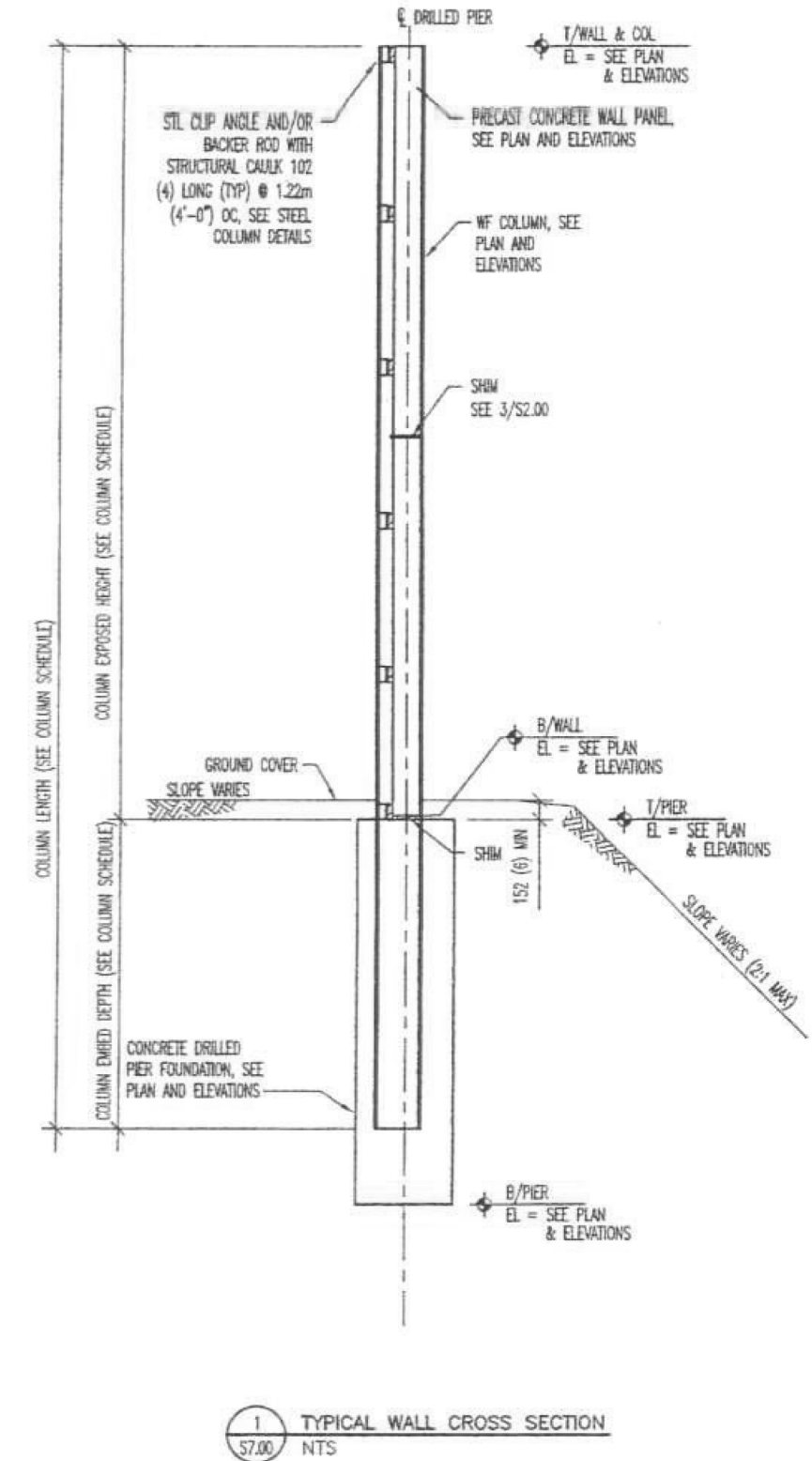
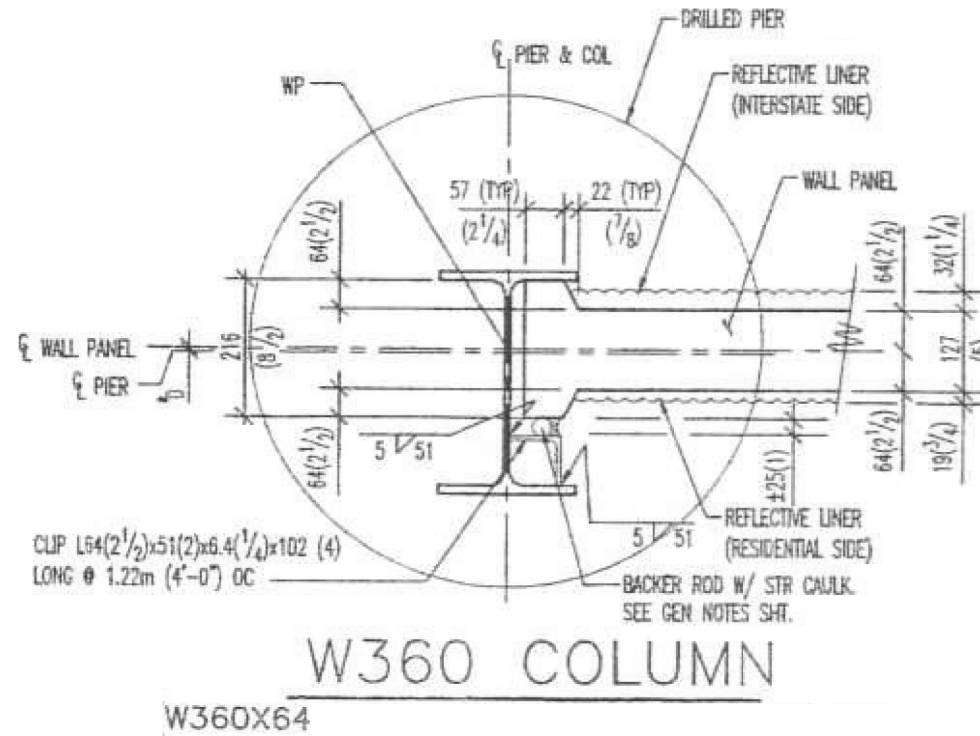
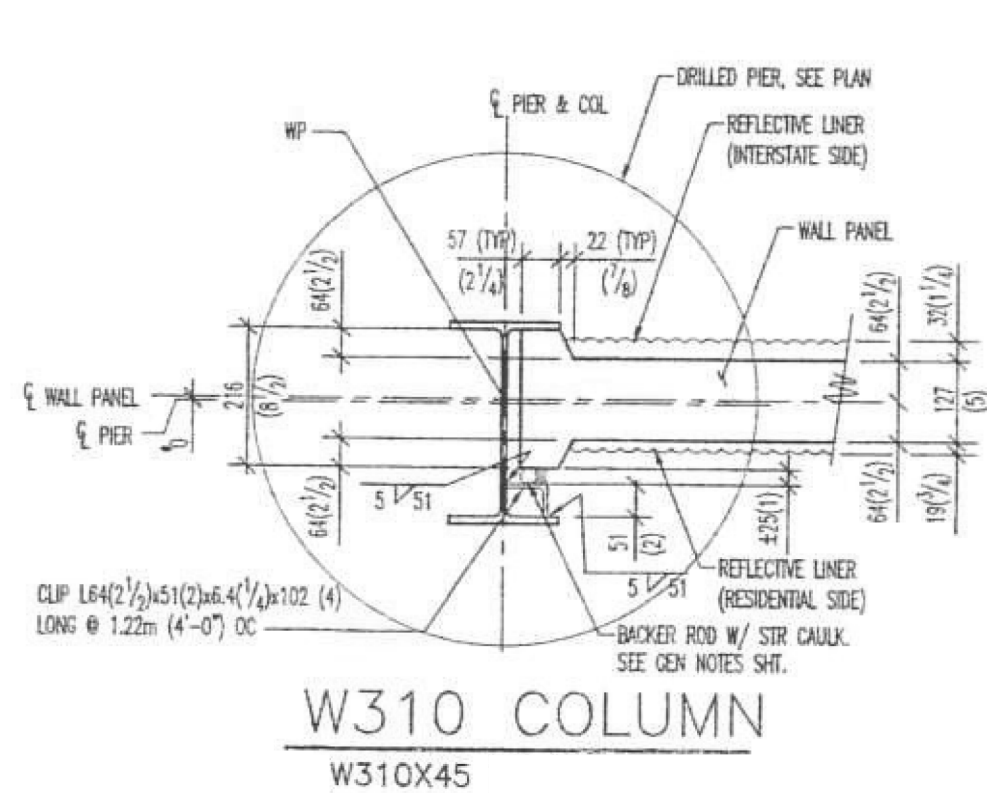




NOISE ABATEMENT WALL REPAIR
 REPLACE PANELS
 FOR MORE DETAILS, SEE SHEET #14



FOR INFORMATION ONLY

FILE NAME =	USER NAME = SEYMORECP	DESIGNED -	REVISED -	STATE OF ILLINOIS DEPARTMENT OF TRANSPORTATION	LOCATION 3 (NOISE WALL) IL 394 (CALUMET EXPRESSWAY/BISHOP FORD FREEWAY)	F.A. RTE.	SECTION	COUNTY	TOTAL SHEETS	SHEET NO.	
Default	Plot Scale = 100.0000' / in.	DRAWN -	REVISED -			VAR.	2013-0411	VARIOUS	44	13	
	PLOT DATE = 7/11/2013	CHECKED -	REVISED -			CONTRACT NO. 60W86					
		DATE -	REVISED -			ILLINOIS FED. AID PROJECT					