

T36N

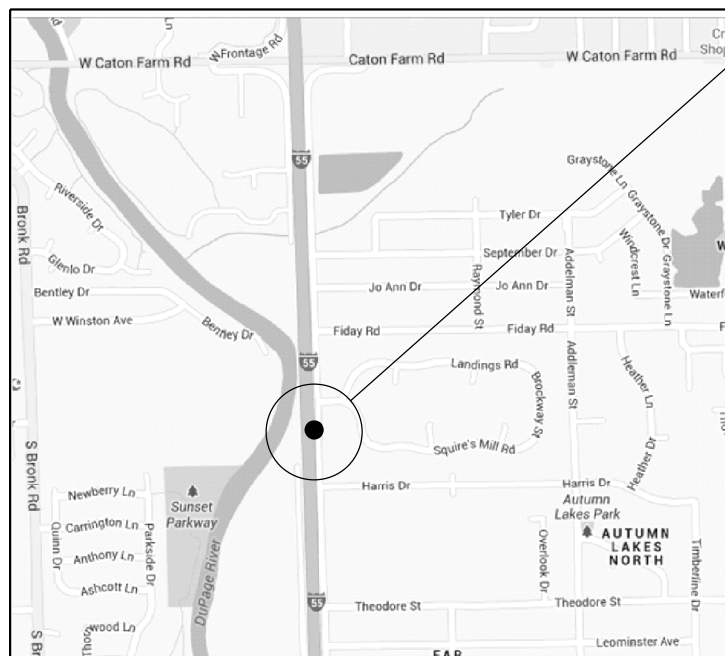
LOCATION 9: I-55 (STEVENS ON EXPRESSWAY), NB

0.37 MILES SOUTH OF CANTON FARM RD. OVERPASS, RIGHT SIDE

PANEL SCHEDULE (TOP)					
MARK	PANEL HEIGHT	PANEL WIDTH	QUANTITY	AREA EACH(S.F)	AREA TOTAL(S.F)
3T-1	10'-0"	20'-4"	2	203.3	406.6
PANEL SCHEDULE (BOTTOM)					
3B-10	6'-0"	20'-4"	1	122.0	122.0



R9E

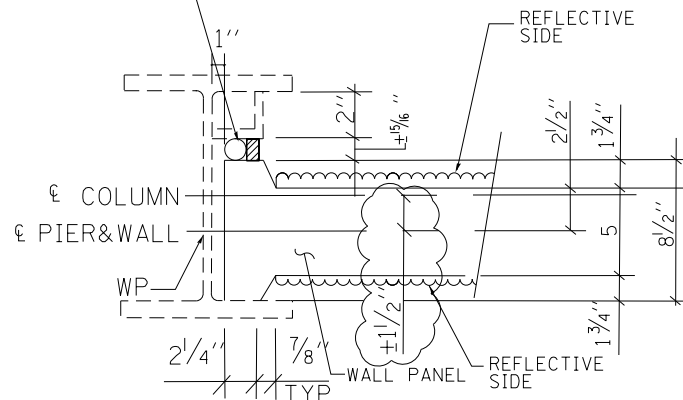


**CITY OF JOLIET
PLAINFIELD TOWNSHIP
WILL COUNTY**

TRAFFIC DATA:

SPEED LIMIT: 65 MPH
2011 ADT: 75600

BACKER ROD W/STR CAULK
(4" LONG @ 4'-0" OC, SEE
GEN NOTES SHT.



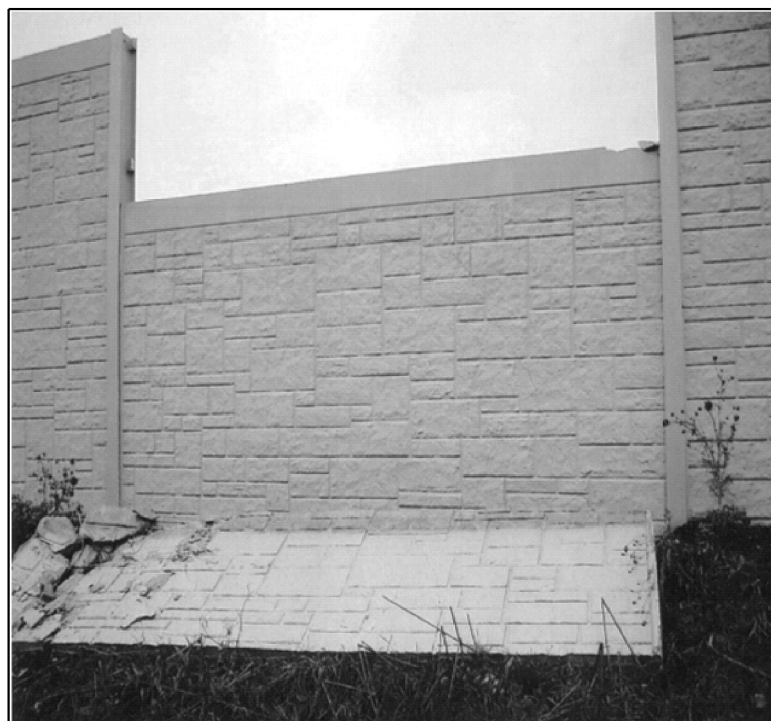
(W12X35)

PANEL TO COLUMN CONN @ W12

BILL OF MATERIAL

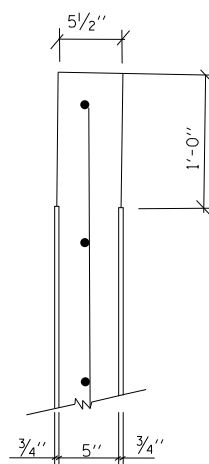
ITEM	UNIT	QUANTITY
CONCRETE REMOVAL	Cu. Yds.	5.6
NOISE ABATEMENT WALL REPAIRS	Lump Sum	1

AREA OF REPAIR= 326 SQ FT

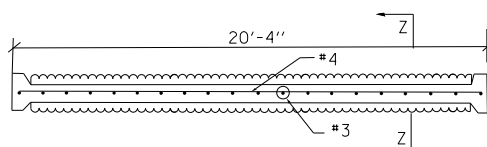


NOISE ABATEMENT WALL REPAIR
REPLACE PANELS
FOR MORE DETAILS, SEE SHEET #26

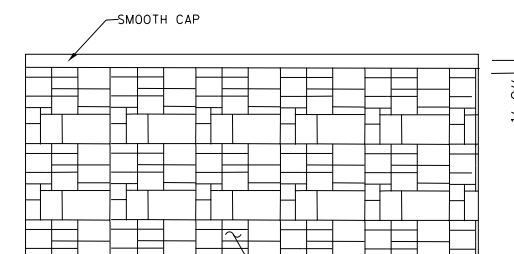
PANEL SECTION W/CAP & FINISH



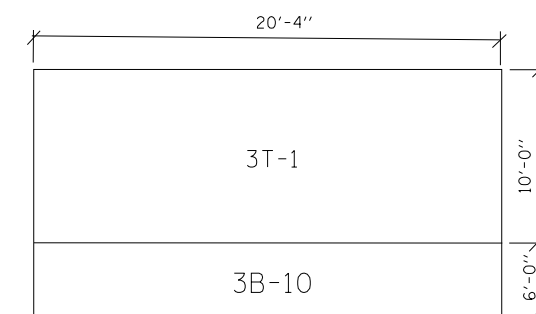
TYP CUT SECTION
Z-Z



TYPICAL WALL PLAN



TYPICAL PANEL DETAIL W/ FINISH



TYPICAL PANEL DETAIL