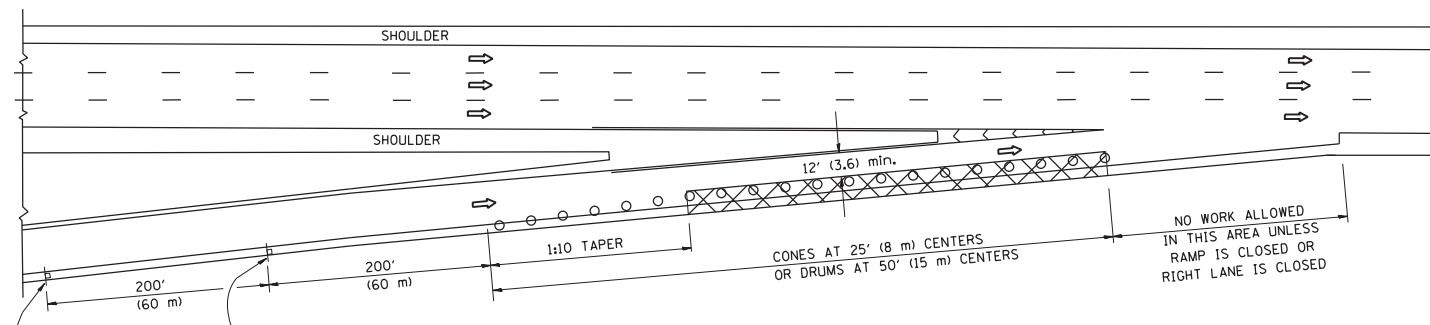
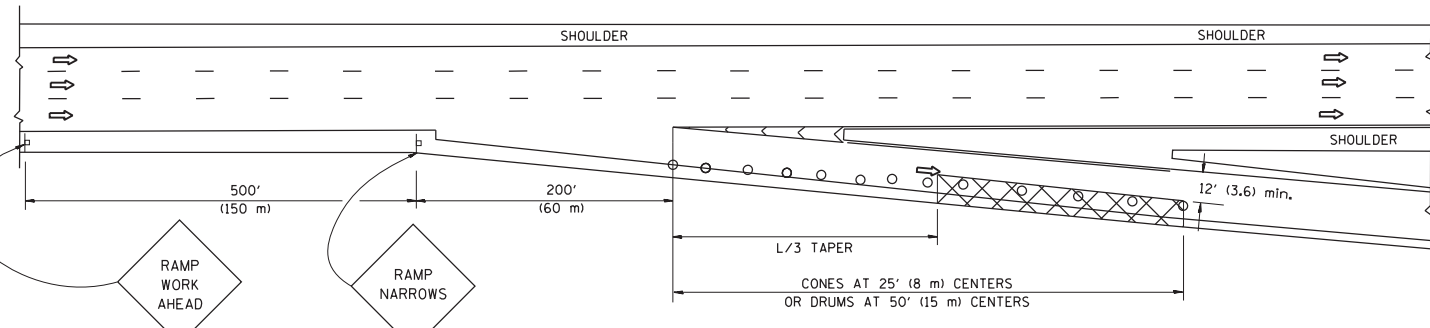


PARTIAL RAMP CLOSURE DETAILS

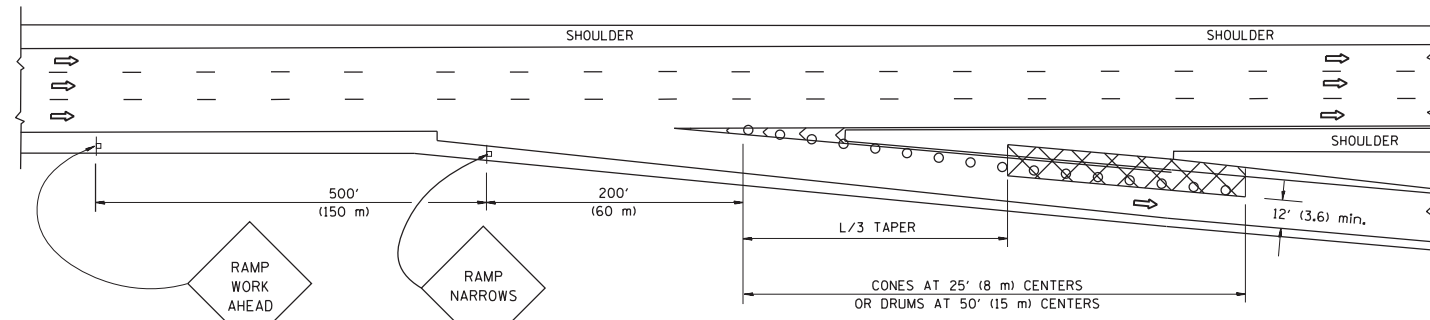
SHOULDER CLOSURE DETAILS



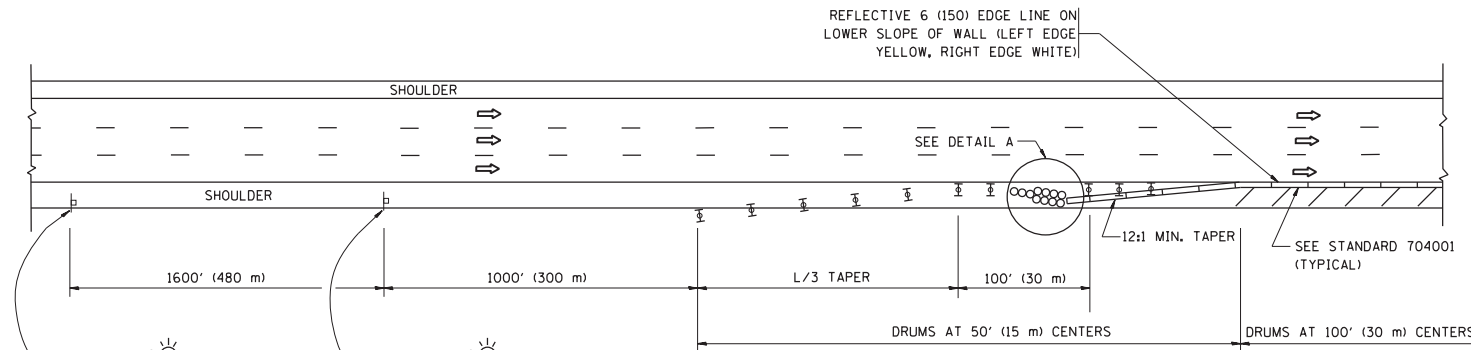
TYPICAL ENTRANCE RAMP



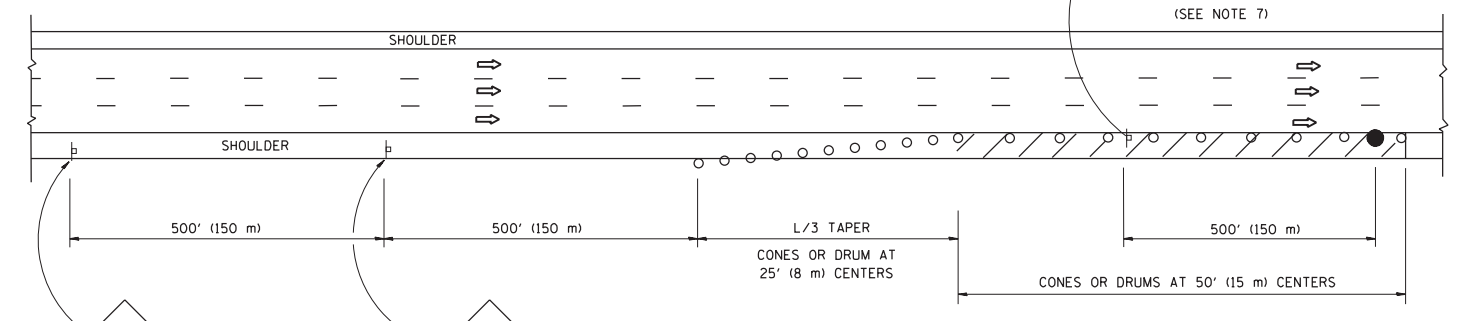
TYPICAL EXIT RAMP



TYPICAL EXIT RAMP



PERMANENT SHOULDER CLOSURE



DAYTIME SHOULDER CLOSURE

THIS DETAIL IS USED WHERE:  
 1. VEHICLES, EQUIPMENT, WORKERS OR THEIR ACTIVITIES ENCRANCH IN AN AREA CLOSER THAN 15' (4.5 m) TO THE EDGE OF PAVEMENT FOR A PERIOD IN EXCESS OF 15 MINUTES.

SYMBOLS

- ACTIVE WORK AREA
- SIGN ON PORTABLE OR PERMANENT SUPPORT
- FLAGGER WITH CONTROL SIGN
- TYPE II BARRICADE, DRUM OR VERTICAL BARRICADE WITH STEADY BURN MONO-DIRECTIONAL LIGHT
- CONE, DRUM OR BARRICADE

GENERAL NOTES

1. THE "L" DISTANCE EQUALS:
 

|  |   |
|--|---|
| SPEED LIMIT  | FORMULAS                                      |
| 45 mph (80 km/h)<br>OR GREATER:  | METRIC    ENGLISH<br>L=0.65(W)(S)    L=(W)(S) |
| W = WIDTH OF OFFSET IN FEET (METERS)<br>S = NORMAL POSTED SPEED MPH (KM/H) |   |
2. PLASTIC DRUMS WITH HIGH PERFORMANCE REFLECTIVE SHEETING AND STEADY BURNING LIGHTS ARE REQUIRED FOR ALL NIGHTTIME CLOSURES.
3. ALL SIGNS SHALL BE POST MOUNTED IF THE CLOSURE TIME EXCEEDS FOUR DAYS.
4. FLASHING LIGHTS SHALL BE USED DURING THE HOURS OF DARKNESS AND SHALL BE INSTALLED ABOVE THE FIRST TWO SETS OF SIGNS.

5. THE IMPACT ATTENUATOR, TEMPORARY IS NOT REQUIRED WHEN THE TEMPORARY CONCRETE BARRIER WALL IS PROTECTED BY OR IS TIED INTO THE EXISTING GUARDRAIL. IF OFFSET IS LESS THAN 5 FEET USE NARROW USE TYPE DEVICE TO MEET NCHRP350.
6. AUTHORIZATION FROM THE DISTRICT'S BUREAU OF TRAFFIC IS REQUIRED FOR ALL FREEWAY CLOSURES.
7. THE FLAGGER AND FLAGGER SIGN ARE REQUIRED AT THE ABOVE WORK SITES WHEN:
  - a. FOUR OR MORE WORK VEHICLES ENTER THE TRAFFIC LANES IN A ONE HOUR PERIOD.
  - b. THE WORK AVTIVITY REQUIRES FREQUENT ENCRANCHMENT INTO THE LANE OPEN TO TRAFFIC.
 THE FLAGGER SHALL BE STATIONED APPROXIMATELY 100' (30 m) TO 200' (60 m) IN ADVANCE OF THE WORKERS.

ARRAY DESIGN PER MANUFACTURER TO BE NCHRP 350 COMPLIANT.

DETAIL "A"  
 IMPACT ATTENUATOR, TEMPORARY  
 (SEE NOTE 5)

ALL DIMENSIONS ARE IN INCHES (MILLIMETERS) UNLESS OTHERWISE SHOWN.

|  |                            |                |                        |   |  |              |                         |                           |              |           |   |
|--|----------------------------|----------------|------------------------|---|--|--------------|-------------------------|---------------------------|--------------|-----------|---|
| FILE NAME =  | USER NAME = MaldonadoHM    | DESIGNED -     | REVISED - 04-03        | <b>STATE OF ILLINOIS<br/>DEPARTMENT OF TRANSPORTATION</b> | <b>TRAFFIC CONTROL DETAILS FOR FREEWAY<br/>SHOULDER CLOSURES AND PARTIAL RAMP CLOSURES</b> | F.A. RTE. =  | SECTION                 | COUNTY                    | TOTAL SHEETS | SHEET NO. |   |
| et:\pw\work\p\dot\mal\donadom\0350654\1-940Russell-sht-cover.dgn | 1-940Russell-sht-cover.dgn | DRAWN - D.W.S. | REVISED - J.A.F. 12-06 |   |  | 94           | 49-1-A                  | LAKE                      | 16           | 9         |   |
| PLOT SCALE = 100.0000' / 1"                                      |                            | CHECKED -      | REVISED - S.P.B. 01-07 |   |  | <b>TC-17</b> |                         | <b>CONTRACT NO. 60X05</b> |              |           |   |
| PLOT DATE = 7/18/2013  |                            | DATE - 11-96   | REVISED - S.P.B. 12-09 |   |  | SCALE: NONE  | SHEET NO. 1 OF 1 SHEETS | STA.                      | TO STA.      |           | FED. ROAD DIST. NO. 1 ILLINOIS FED. AID PROJECT |