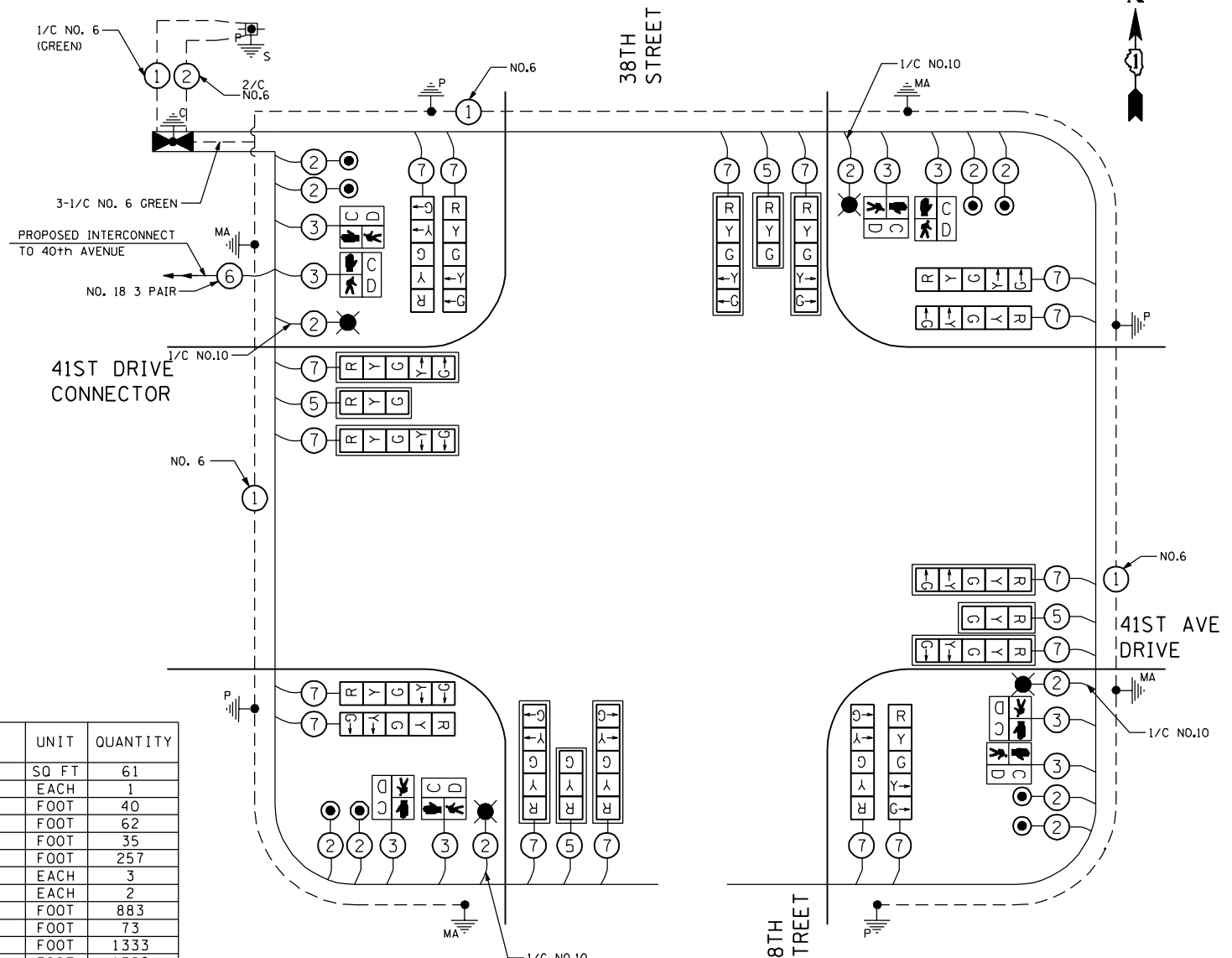


CABLE PLAN LEGEND

EXISTING	PROPOSED	
		12" (300mm) TRAFFIC SIGNAL SECTION
		PEDESTRIAN SIGNAL HEAD, INTERNATIONAL SYMBOL, WITH COUNTDOWN TIMER
		SERVICE INSTALLATION
		VEHICLE DETECTOR, INDUCTION LOOP
		MAGNETIC DETECTOR
		EMERGENCY VEHICLE LIGHT DETECTOR
		CONFIRMATION BEACON
		PUSHBUTTON DETECTOR
		DENOTES NUMBER OF CONDUCTORS. ALL CABLE NO. 14 EXCEPT AS INDICATED. ALL LOOP DETECTOR CABLE TO BE SHIELDED.
		SIGNAL FACE WITH BACKPLATE "P" INDICATES PROGRAMMED HEAD.
		H/C GROUND ROD AT HANDHOLE, DOUBLE HANDHOLE, OR CONTROLLER
		P GROUND ROD AT POST OR MAST ARM POLE
		S GROUND ROD AT ELECTRIC SERVICE INSTALLATION
		1 GROUND CABLE IN CONDUIT NO. 6 SOLID COPPER (GREEN)
		24 FIBER OPTIC CABLE IN CONDUIT NO. 62.5/125 2-MM12F & SM12F
		UPS UNINTERRUPTIBLE POWER SUPPLY (UPS)
		P PREFORMED LOOP DETECTION
		MA STEEL COMBINATION MAST ARM ASSEMBLY AND POLE WITH LUMINAIRE

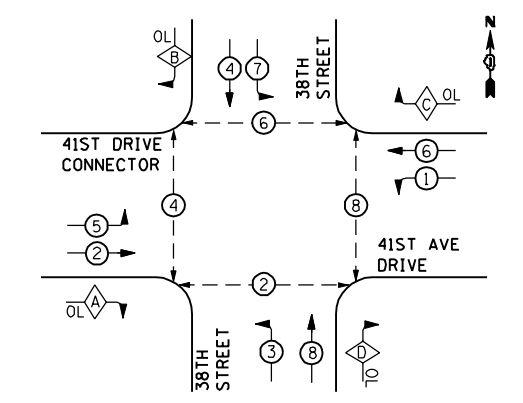
SCHEDULE OF QUANTITIES

ITEM	UNIT	QUANTITY
SIGN PANEL - TYPE 2	SQ FT	61
SERVICE INSTALLATION - POLE MOUNTED	EACH	1
UNDERGROUND CONDUIT, COILABLE NONMETALLIC CONDUIT, 2" DIA.	FOOT	40
UNDERGROUND CONDUIT, COILABLE NONMETALLIC CONDUIT, 2 1/2" DIA.	FOOT	62
UNDERGROUND CONDUIT, COILABLE NONMETALLIC CONDUIT, 3" DIA.	FOOT	35
UNDERGROUND CONDUIT, COILABLE NONMETALLIC CONDUIT, 4" DIA.	FOOT	257
HANDHOLE, COMPOSITE CONCRETE	EACH	3
DOUBLE HANDHOLE, COMPOSITE CONCRETE	EACH	2
ELECTRIC CABLE IN CONDUIT, 600V (XLP-TYPE USE) 1/C NO. 10	FOOT	883
ELECTRIC CABLE IN CONDUIT, 600V (XLP-TYPE USE) 1/C NO. 6	FOOT	73
ELECTRIC CABLE IN CONDUIT, SIGNAL, NO. 14 2C	FOOT	1333
ELECTRIC CABLE IN CONDUIT, SIGNAL, NO. 14 3C	FOOT	1389
ELECTRIC CABLE IN CONDUIT, SIGNAL, NO. 14 5C	FOOT	863
ELECTRIC CABLE IN CONDUIT, SIGNAL, NO. 14 7C	FOOT	3194
ELECTRIC CABLE IN CONDUIT, SERVICE, NO. 6 2 C	FOOT	55
ELECTRIC CABLE IN CONDUIT, EQUIPMENT GROUNDING CONDUCTOR, NO. 6 1C	FOOT	570
TRAFFIC SIGNAL POST, GALVANIZED STEEL 16 FT.	EACH	4
STEEL COMBINATION MAST ARM ASSEMBLY AND POLE 52 FT.	EACH	1
STEEL COMBINATION MAST ARM ASSEMBLY AND POLE 56 FT.	EACH	1
STEEL COMBINATION MAST ARM ASSEMBLY AND POLE 60 FT.	EACH	2
CONCRETE FOUNDATION, TYPE A	FOOT	16
CONCRETE FOUNDATION, TYPE C	FOOT	4
CONCRETE FOUNDATION, TYPE E 36-INCH DIAMETER	FOOT	15
CONCRETE FOUNDATION, TYPE E 42-INCH DIAMETER	FOOT	63
SIGNAL HEAD, POLYCARBONATE, LED, 1-FACE, 3-SECTION, MAST-ARM MOUNTED	EACH	4
SIGNAL HEAD, POLYCARBONATE, LED, 1-FACE, 5-SECTION, MAST-ARM MOUNTED	EACH	8
SIGNAL HEAD, POLYCARBONATE, LED, 2-FACE, 5-SECTION, BRACKET MOUNTED	EACH	4
PEDESTRIAN SIGNAL HEAD, POLYCARBONATE, LED, 2-FACE, BRACKET MOUNTED WITH COUNTDOWN TIMER	EACH	4
TRAFFIC SIGNAL BACKPLATE, LOUVERED, FORMED PLASTIC	EACH	12
PEDESTRIAN PUSH-BUTTON	EACH	8
TEMPORARY TRAFFIC SIGNAL INSTALLATION	EACH	1
WIRELESS VEHICLE DETECTION AND WARNING SYSTEM COMPLETE	EACH	1
FULL-ACTUATED CONTROLLER AND TYPE IV CABINET, SPECIAL	EACH	1
TEMPORARY TRAFFIC SIGNAL TIMING	EACH	1



CABLE PLAN

PROPOSED CONTROLLER SEQUENCE



PHASE DESIGNATION DIAGRAM

THE TRAFFIC SIGNAL CONTROL EQUIPMENT FOR THIS SIGNAL SHALL BE "EAGLE" TO MATCH THE EXISTING ADJACENT SYSTEM.

LEGEND

	SINGLE ENTRY PHASE
	DUAL ENTRY PHASE
	OVERLAP
	PEDESTRIAN PHASE
	NUMBER REFERS TO ASSOCIATED PHASE

OVERLAP LETTER	PERMISSIVE PHASE	PROTECTED PHASE
A	= 2 + 3	
B	= 4 + 5	
C	= 6 + 7	
D	= 8 + 1	

CABLE SLACK	(FEET) (m)	VERTICAL	(FEET) (m)
HANDHOLE	6.5 , (2.0)	ALL FOUNDATION	1.0 , (2.0)
DOUBLE HANDHOLE	13 , (4.0)	MAST ARM (1.) POLE	20'+L-2 = (6m+L-0.6m)=
SIGNAL POST	2 , (1.0)		
CONTROLLER CAB.	1 , (0.5)	BRACKET MOUNTED	13 , (4.0)
FIBER OPTIC	13 , (4.0)	PED. PUSHBUTTON	4 , (1.2)
ELECTRIC SERVICE	1 , (0.5)	ELECTRIC SERVICE	13.5 , (4.1)
GROUND CABLE	1 , (0.5)	SERVICE TO GROUND	13. , (4.1)
		POST MOUNTED	6 , (1.8)

DESIGNED - TVN	REVISED -
DRAWN - CJD	REVISED -
CHECKED - RPD	REVISED -
DATE - 3/11/2013	REVISED -

STATE OF ILLINOIS
DEPARTMENT OF TRANSPORTATION

38TH STREET AND 41ST DRIVE CONNECTOR
CABLE PLAN, PHASE DESIGNATION DIAGRAM,
AND SCHEDULE OF QUANTITIES

F.A.P. RTE.	SECTION	COUNTY	TOTAL SHEETS	SHEET NO.
595	(142-1JR & 142-1HB)	ROCK ISLAND	507	293
				CONTRACT NO. 64B84



2600 Warrenville Road, Suite 203, Downers Grove, IL 60515
630.705.0110 voice, 630.839.2566 fax
www.mps-ill.com
MILLENNIA PROFESSIONAL SERVICES

SCALE: 1=20 SHEET NO. 2 OF 2 SHEETS STA. TO STA.