

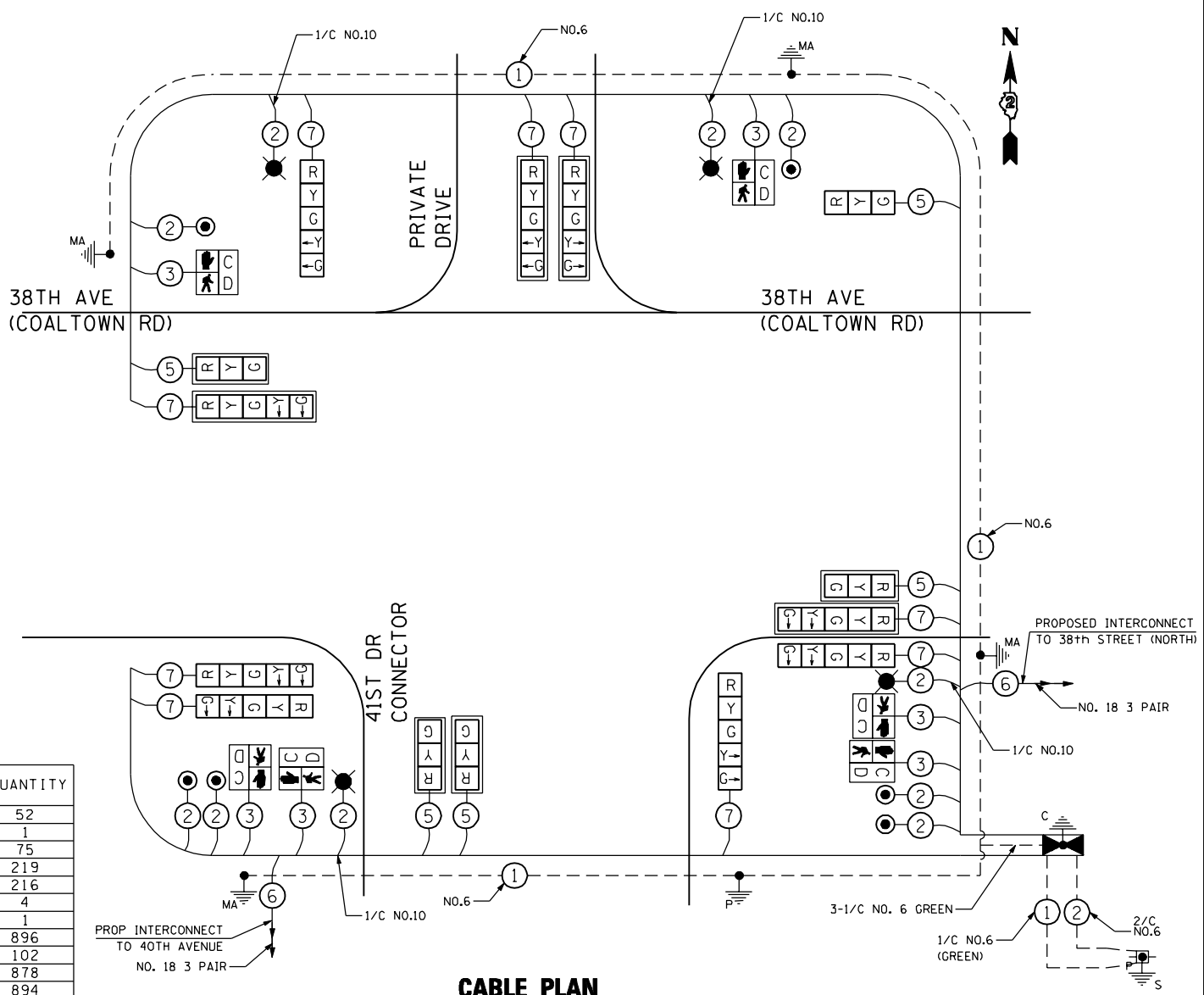
CABLE PLAN LEGEND

EXISTING	PROPOSED	DESCRIPTION
		12" (300mm) TRAFFIC SIGNAL SECTION
		12" (300mm) PEDESTRIAN SIGNAL SECTION
		PEDESTRIAN SIGNAL HEAD, INTERNATIONAL SYMBOL, WITH COUNTDOWN TIMER
		CONTROLLER CABINET
		SERVICE INSTALLATION
		VEHICLE DETECTOR, INDUCTION LOOP
		MAGNETIC DETECTOR
		EMERGENCY VEHICLE LIGHT DETECTOR
		CONFIRMATION BEACON
		PUSHBUTTON DETECTOR
		DENOTES NUMBER OF CONDUCTORS. ALL CABLE NO. 14 EXCEPT AS INDICATED. ALL LOOP DETECTOR CABLE TO BE SHIELDED.
		SIGNAL FACE WITH BACKPLATE. "P" INDICATES PROGRAMMED HEAD.

		GROUND ROD AT HANDHOLE, DOUBLE HANDHOLE, OR CONTROLLER
		GROUND ROD AT POST OR MAST ARM POLE
		GROUND ROD AT ELECTRIC SERVICE INSTALLATION
		GROUND CABLE IN CONDUIT NO. 6 SOLID COPPER (GREEN)
		FIBER OPTIC CABLE IN CONDUIT NO. 62.5/125 2-MM12F & SM12F
		UNINTERRUPTIBLE POWER SUPPLY (UPS)
		PERFORMED LOOP DETECTION
		STEEL COMBINATION MAST ARM ASSEMBLY AND POLE WITH LUMINAIRE

SCHEDULE OF QUANTITIES

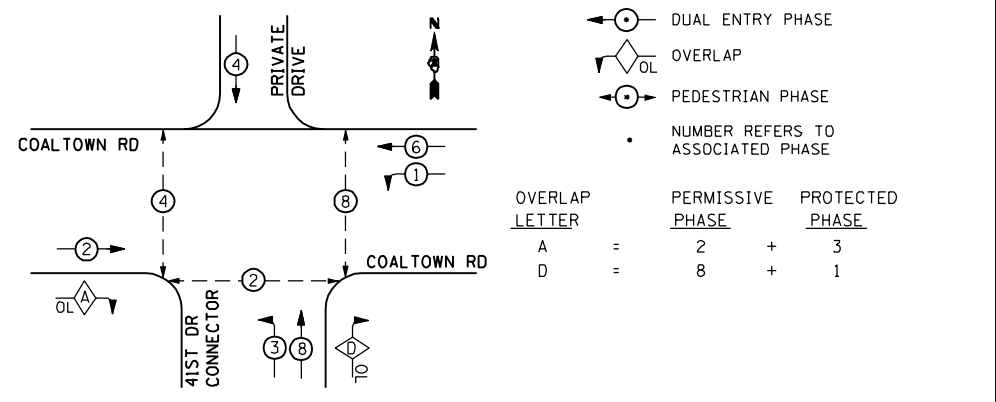
ITEM	UNIT	QUANTITY
SIGN PANEL - TYPE 2	SQ FT	52
SERVICE INSTALLATION - POLE MOUNTED	EACH	1
UNDERGROUND CONDUIT, COILABLE NONMETALLIC CONDUIT, 2" DIA.	FOOT	75
UNDERGROUND CONDUIT, COILABLE NONMETALLIC CONDUIT, 3" DIA.	FOOT	219
UNDERGROUND CONDUIT, COILABLE NONMETALLIC CONDUIT, 4" DIA.	FOOT	216
HANDHOLE, COMPOSITE CONCRETE	EACH	4
DOUBLE HANDHOLE, COMPOSITE CONCRETE	EACH	1
ELECTRIC CABLE IN CONDUIT, 600V (XLP-TYPE USE) 1/C NO. 10	FOOT	896
ELECTRIC CABLE IN CONDUIT, 600V (XLP-TYPE USE) 1/C NO. 6	FOOT	102
ELECTRIC CABLE IN CONDUIT, SIGNAL, NO. 14 2C	FOOT	878
ELECTRIC CABLE IN CONDUIT, SIGNAL, NO. 14 3C	FOOT	894
ELECTRIC CABLE IN CONDUIT, SIGNAL, NO. 14 5C	FOOT	1066
ELECTRIC CABLE IN CONDUIT, SIGNAL, NO. 14 7C	FOOT	1637
ELECTRIC CABLE IN CONDUIT, SERVICE, NO. 6 2 C	FOOT	90
ELECTRIC CABLE IN CONDUIT, EQUIPMENT GROUNDING CONDUCTOR, NO. 6 1C	FOOT	468
TRAFFIC SIGNAL POST, GALVANIZED STEEL 16 FT.	EACH	1
STEEL COMBINATION MAST ARM ASSEMBLY AND POLE 34 FT.	EACH	1
STEEL COMBINATION MAST ARM ASSEMBLY AND POLE 38 FT.	EACH	1
STEEL COMBINATION MAST ARM ASSEMBLY AND POLE 50 FT.	EACH	1
STEEL COMBINATION MAST ARM ASSEMBLY AND POLE 62 FT.	EACH	1
CONCRETE FOUNDATION, TYPE A	FOOT	4
CONCRETE FOUNDATION, TYPE C	FOOT	4
CONCRETE FOUNDATION, TYPE E 36-INCH DIAMETER	FOOT	37
CONCRETE FOUNDATION, TYPE E 42-INCH DIAMETER	FOOT	21
SIGNAL HEAD, POLYCARBONATE, LED, 1-FACE, 3-SECTION, BRACKET MOUNTED	EACH	1
SIGNAL HEAD, POLYCARBONATE, LED, 1-FACE, 3-SECTION, MAST-ARM MOUNTED	EACH	4
SIGNAL HEAD, POLYCARBONATE, LED, 1-FACE, 5-SECTION, BRACKET MOUNTED	EACH	3
SIGNAL HEAD, POLYCARBONATE, LED, 1-FACE, 5-SECTION, MAST-ARM MOUNTED	EACH	4
SIGNAL HEAD, POLYCARBONATE, LED, 2-FACE, 5-SECTION, BRACKET MOUNTED	EACH	1
PEDESTRIAN SIGNAL HEAD, POLYCARBONATE, LED, 2-FACE, BRACKET MOUNTED WITH COUNTDOWN TIMER	EACH	2
TRAFFIC SIGNAL BACKPLATE, LOUVERED, FORMED PLASTIC	EACH	8
PEDESTRIAN PUSH-BUTTON	EACH	6
WIRELESS VEHICLE DETECTION AND WARNING SYSTEM COMPLETE	EACH	1
FULL-ACTUATED CONTROLLER AND TYPE IV CABINET, SPECIAL	EACH	1



CABLE PLAN

THE TRAFFIC SIGNAL CONTROL EQUIPMENT FOR THIS SIGNAL SHALL BE "EAGLE" TO MATCH THE EXISTING ADJACENT SYSTEM.

PROPOSED CONTROLLER SEQUENCE



PHASE DESIGNATION DIAGRAM

CABLE SLACK	(FEET) (m)	VERTICAL	(FEET) (m)
HANDHOLE	6.5 , (2.0)	ALL FOUNDATION	1.0 , (2.0)
DOUBLE HANDHOLE	13 , (4.0)	MAST ARM (1.) POLE	20'+L-2 = (6m+L-0.6m)
SIGNAL POST	2 , (1.0)	BRACKET MOUNTED	13 , (4.0)
CONTROLLER CAB.	1 , (0.5)	PED. PUSHBOTTON	4 , (1.2)
FIBER OPTIC	13 , (4.0)	ELECTRIC SERVICE	13.5 , (4.1)
ELECTRIC SERVICE	1 , (0.5)	SERVICE TO GROUND	13. , (4.1)
GROUND CABLE	1 , (0.5)	POST MOUNTED	6 , (1.8)

MILLENNIA PROFESSIONAL SERVICES
 2600 Warrenville Road, Suite 203, Downers Grove, IL 60515
 630.705.0110 voice, 630.839.3566 fax
 www.mps-il.com

DESIGNED - TVN	REVISED -
DRAWN - CJD	REVISED -
CHECKED - RPD	REVISED -
DATE - 3/11/2013	REVISED -

**STATE OF ILLINOIS
DEPARTMENT OF TRANSPORTATION**

**COALTOWN ROAD AT 41ST DRIVE CONNECTOR
CABLE PLAN, PHASE DESIGNATION DIAGRAM,
AND SCHEDULE OF QUANTITIES**

SCALE: 1=20	SHEET NO. 2 OF 2 SHEETS	STA. TO STA.
-------------	-------------------------	--------------

F.A.P. RTE.	SECTION	COUNTY	TOTAL SHEETS	SHEET NO.
595	(142-11R & 142-11B)	ROCK ISLAND	507	297
CONTRACT NO. 64B84				
FED. ROAD DIST. NO. 1 ILLINOIS FED. AID PROJECT				

TS-32

P:\2011\ME11008\PTB155-26.IL5\JDR_Ciorba\CADD\Shets\0264B84-sht-TS32_38Ave_41Ave.dgn