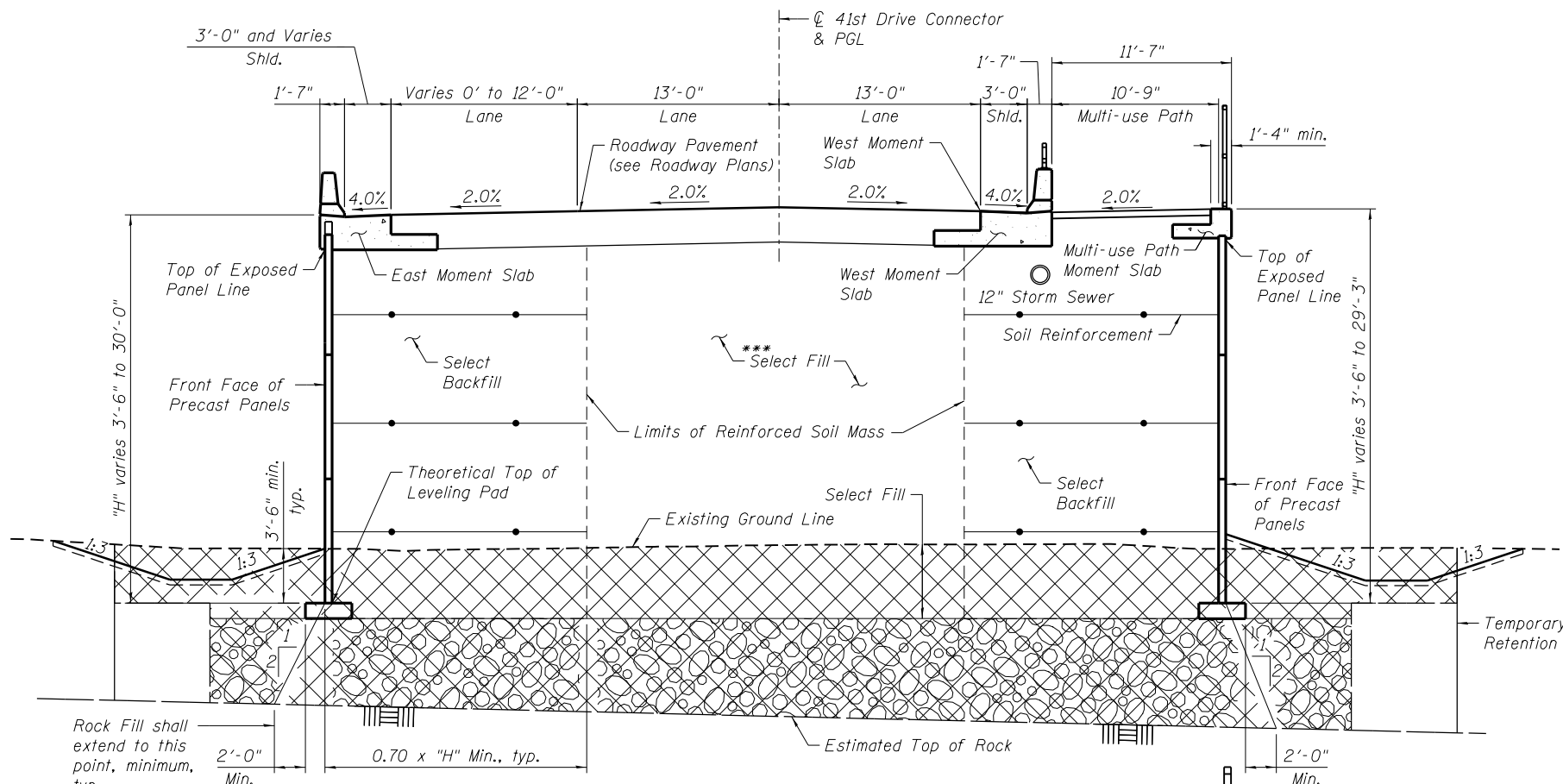
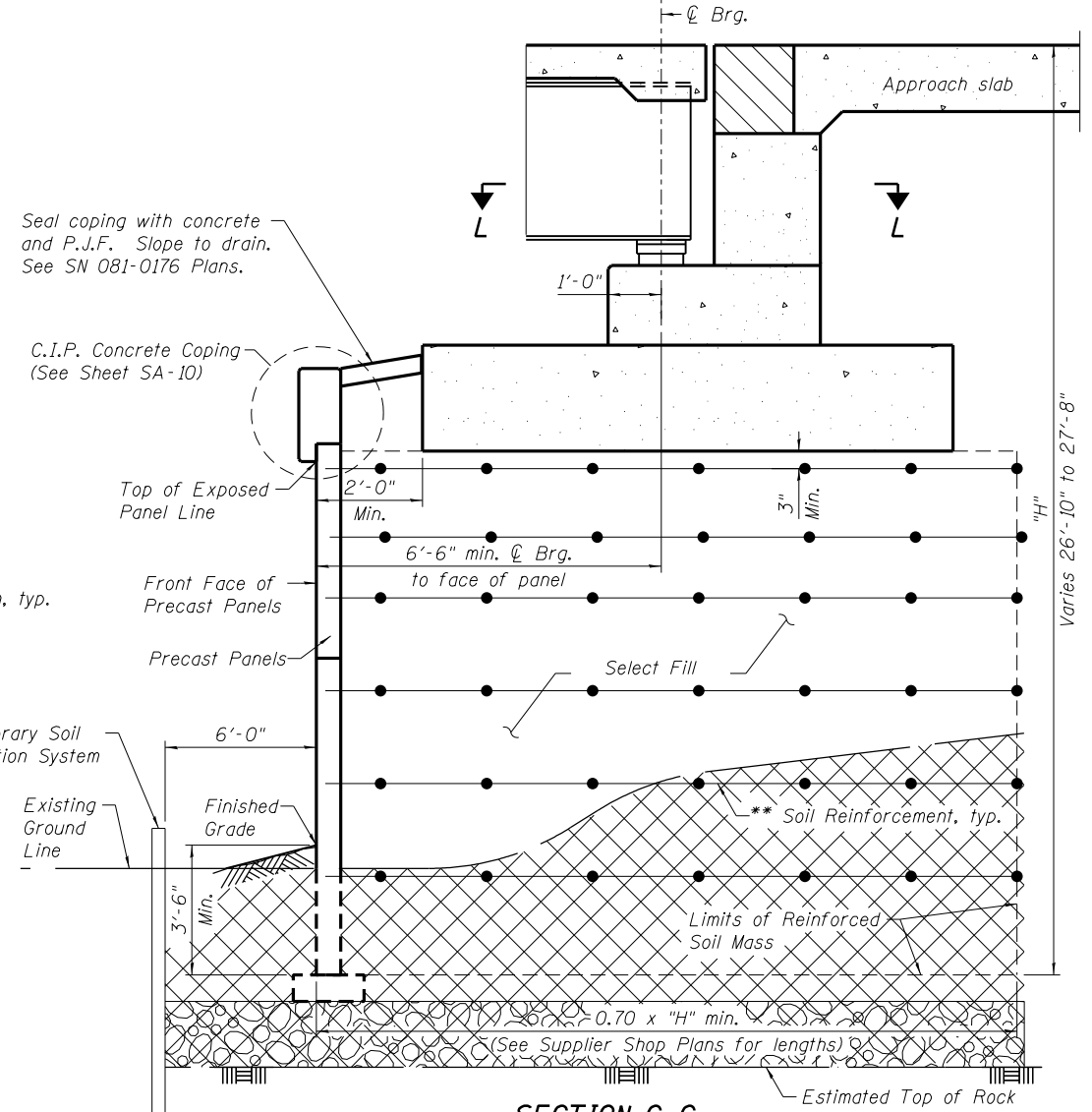


N:\PROJECTS\081-0176\CONTRACT\1\Design\Structure\CAD\Retaining Wall 081-7002\081-7002\_03 Sections\_Revise.dgn



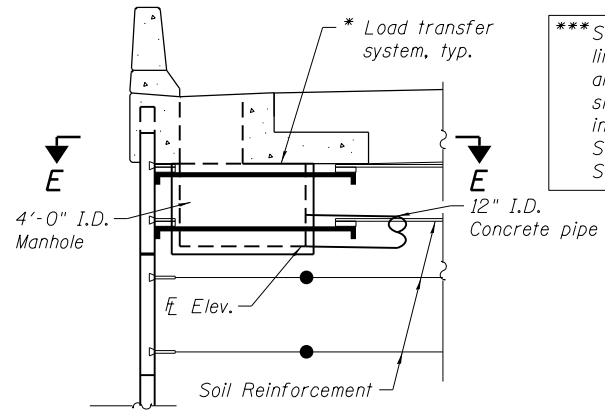
**SECTION A-A**



**SECTION G-G**

(Typical wall section thru abutment)

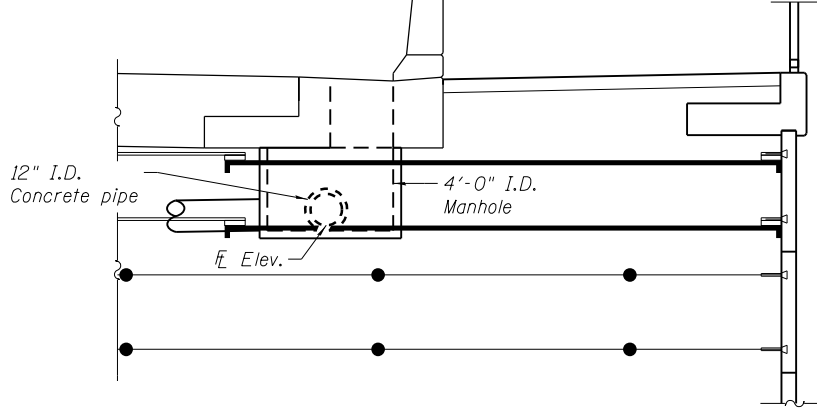
\*\* The M.S.E. Wall supplier's internal stability design shall account for the footing's bearing pressure surcharge of 3 ksf and horizontal sliding force of 1.6 kips/ft. of abutment.



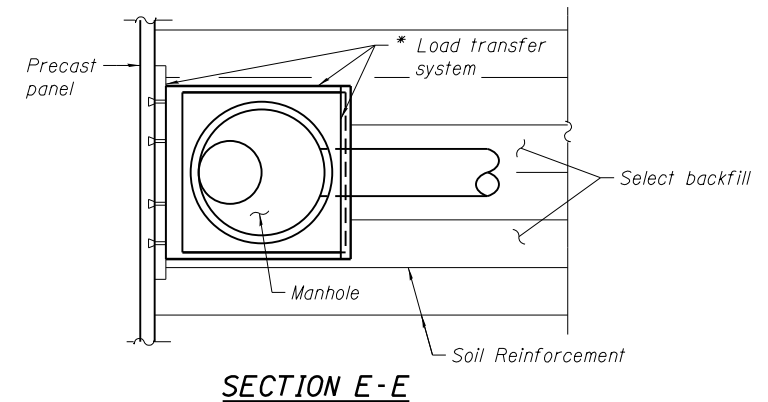
**DETAIL C**

\*\*\* Select Fill to be placed between limits of reinforced soil mass in area where MSE Wall is on both sides of roadway. Cost to be included with cost of Mechanically Stabilized Earth Retaining Wall. See Roadway Plans for details.

\* M.S.E. supplier to design load transfer system to accommodate concrete pipe and manhole.



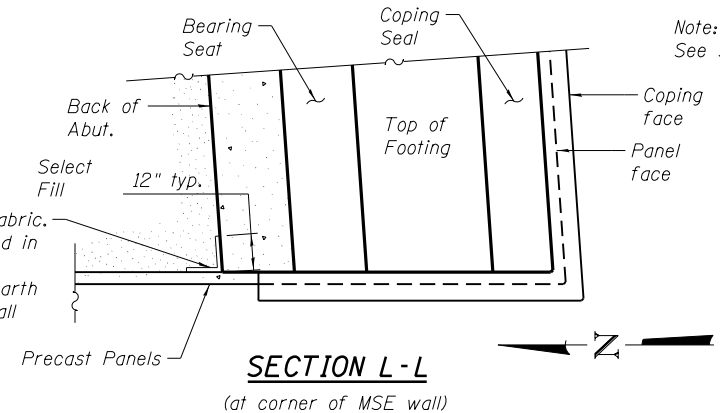
**DETAIL D**



**SECTION E-E**

**LEGEND:**

- Removal and Disposal of Unsuitable Materials See Roadway plans for Removal of Unsuitable Materials quantity.
- Rock Fill See Roadway plans for Rock Fill quantity. Rock Fill is to be placed up to the top of existing ground or bottom of MSE Wall leveling pad, whichever is lower.
- Geotextile fabric. Cost included in Mechanically Stabilized Earth Retaining Wall



**SECTION L-L**

(at corner of MSE wall)

Note: See Structure No. 081-0176 Plans for abutment details.



USER NAME = bsauter	DESIGNED - APD	REVISED -
PLOT SCALE = 10:1	CHECKED - BWS	REVISED -
PLOT DATE = 5/7/2013	DRAWN - RD	REVISED -
	CHECKED - JJH	REVISED -

**STATE OF ILLINOIS  
DEPARTMENT OF TRANSPORTATION**

**SECTIONS  
STRUCTURE NO. 081-7002**

F.A.P. RTE.	SECTION	COUNTY	TOTAL SHEETS	SHEET NO.
595	(142-1)R-1 AND 142-1HB	ROCK ISLAND	507	329
				CONTRACT NO. 64884

SHEET NO. SA-3 OF SA-16 SHEETS

ILLINOIS FED. AID PROJECT