

GENERAL NOTES

Reinforcement bars designated (E) shall be epoxy coated.

Layout of slope protection system may be varied to suit ground conditions in the field as directed by the Engineer.

Slipforming of the concrete parapet is not allowed.

Install pile foundations 10 days after full embankment placement to eliminate downdrag force.

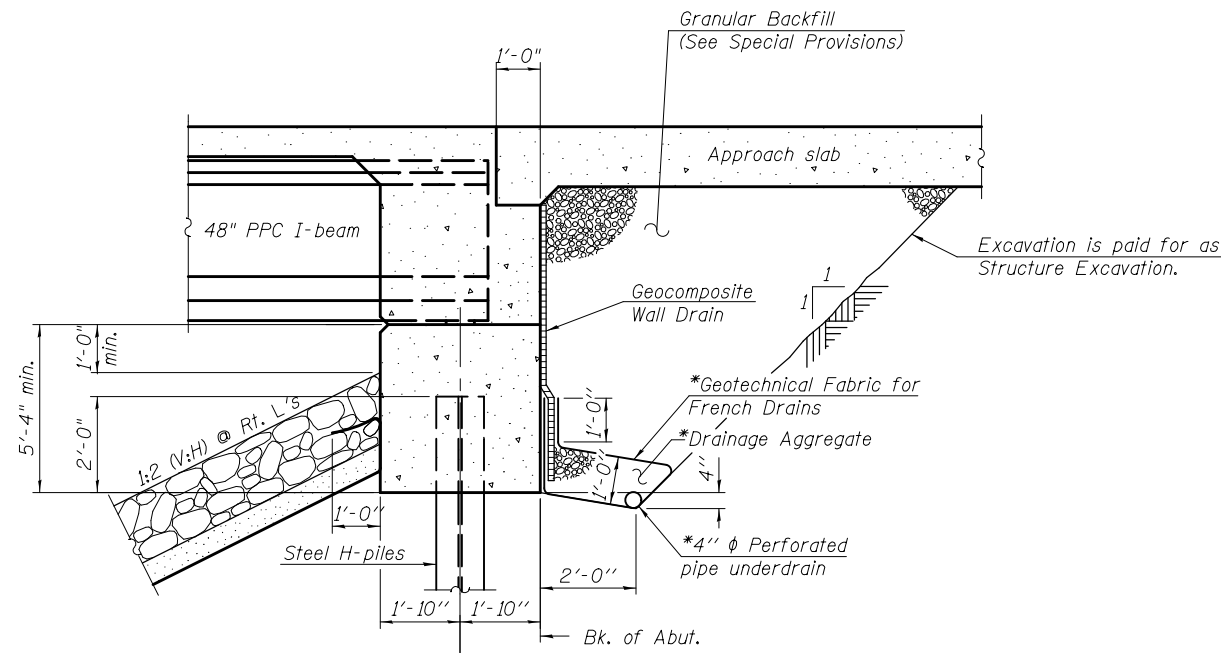
Excavation behind existing abutment walls shall be performed to balance front and back soil pressure before removing the existing superstructure.

INDEX OF SHEETS

- 1 General Plan and Elevation
- 2 General Data
- 3 Substructure Layout
- 4-6 Top of Slab Elevations
- 7 Top of South Approach Slab Elevations
- 8 Top of North Approach Slab Elevations
- 9 Superstructure
- 10 Superstructure Details
- 11 Diaphragm Details
- 12-13 Bridge Approach Slab Details
- 14 Framing Plan
- 15 48" PPC I-Beam
- 16 48" PPC I-Beam Details
- 17 South Abutment
- 18 North Abutment
- 19 HP Pile Details
- 20 Soil Boring Logs

TOTAL BILL OF MATERIAL

ITEM	UNIT	SUPER	SUB	TOTAL
Stone Riprap, Class A5	Sq. Yd.		1,120	1,120
Filter Fabric	Sq. Yd.		1,120	1,120
Removal of Existing Structures No. 1	Each			1
Structure Excavation	Cu. Yd.		184	184
Concrete Structures	Cu. Yd.		102.2	102.2
Concrete Superstructure	Cu. Yd.	199.3		199.3
Bridge Deck Grooving	Sq. Yd.	464		464
Protective Coat	Sq. Yd.	576		576
Furnishing and Erecting Precast Prestressed Concrete I-Beams, 48 in.	Foot	446		446
Reinforcement Bars, Epoxy Coated	Pound	46,080	14,460	60,540
Furnishing Steel Piles HP14X73	Foot		220	220
Driving Piles	Foot		220	220
Test Pile Steel HP14X73	Each		2	2
Pile Shoes	Each		12	12
Name Plates	Each	1		1
Geocomposite Wall Drain	Sq. Yd.		108	108
Granular Backfill for Structures	Cu. Yd.		220	220
Pipe Underdrains for Structures 4"	Foot		152	152



SECTION THRU INTEGRAL ABUTMENT

*Included in the cost of Pipe Underdrains for Structures. (See Special Provisions)

Note:
All drainage system components shall extend to 2'-0" from the end of each wingwall except an outlet pipe shall extend until intersecting with the side slopes. The pipes shall drain into concrete headwalls. (See Article 601.05 of the Standard Specifications and Highway Standard 601101).

STATION 734+06.00
BUILT 20__ BY
STATE OF ILLINOIS
F.A.P. Rte. 599
SEC. 103 MFT-BR
LOADING HL-93
STRUCTURE NO. 081-0196

NAME PLATE
See Std. 515001

6/19/2013 5:32:01 PM 0810196_64D18_002_CEN01.dgn



DESIGNED - BJM	REVISED -
CHECKED - MWS	REVISED -
DRAWN - MWS	REVISED -
CHECKED - BJM	REVISED -

**STATE OF ILLINOIS
DEPARTMENT OF TRANSPORTATION**

**GENERAL DATA
STRUCTURE NO. 081-0196**

SHEET NO. 2 OF 20 SHEETS

F.A.P.	SECTION	COUNTY	TOTAL SHEETS	SHEET NO.
599	103MFT-BR	ROCK ISLAND	88	33
CONTRACT NO. 64D18				
ILLINOIS FED. AID PROJECT				