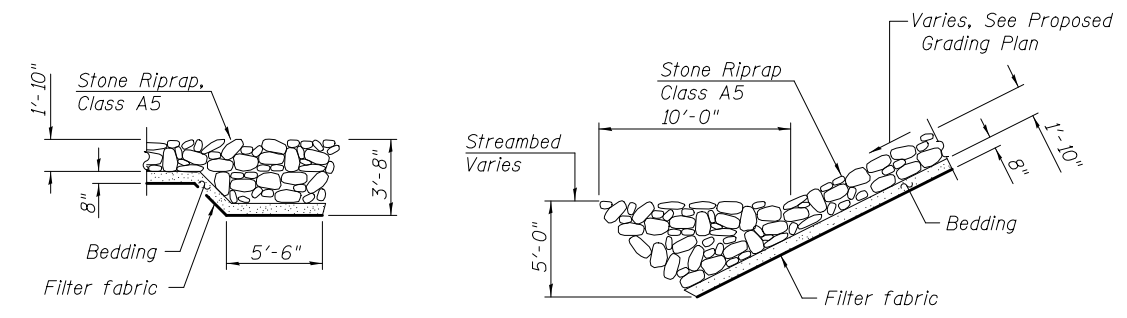
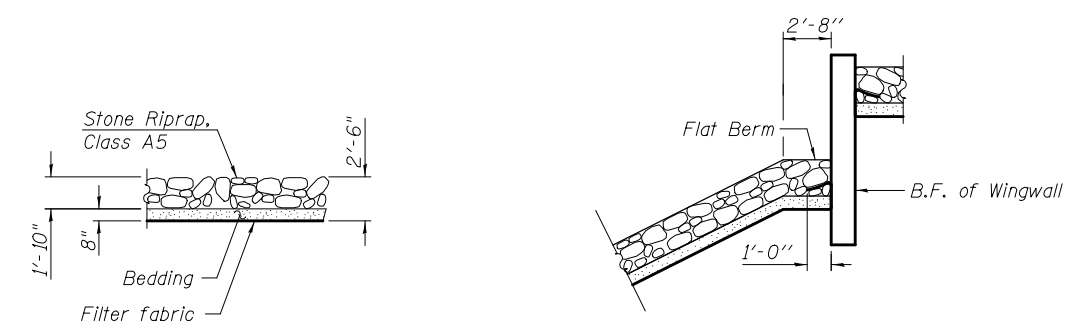


FOOTING AND RIPRAP LAYOUT



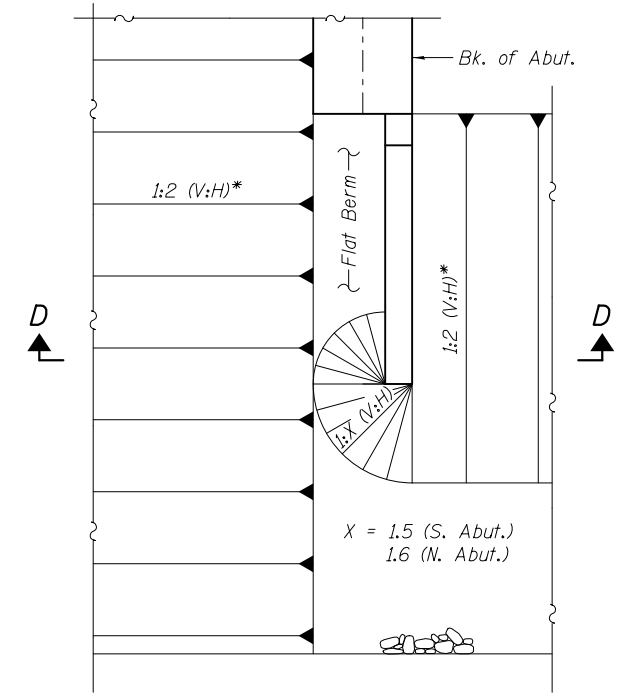
SECTION A-A

SECTION B-B



SECTION C-C

SECTION D-D



END OF WINGWALL RIPRAP DETAIL

* 1:2 (V:H) slope in front of abutments and flat berm, and immediately behind wingwalls. See Grading Plan for details.

6/19/2013 5:32:02 PM 0810196_64D18_003_FIG01.dgn



DESIGNED - TAY	REVISED -
CHECKED - MWS	REVISED -
DRAWN - MWS	REVISED -
CHECKED - BJM	REVISED -

**STATE OF ILLINOIS
DEPARTMENT OF TRANSPORTATION**

**SUBSTRUCTURE LAYOUT
STRUCTURE NO. 081-0196**

SHEET NO. 3 OF 20 SHEETS

F.A.P.	SECTION	COUNTY	TOTAL SHEETS	SHEET NO.
599	103MFT-BR	ROCK ISLAND	88	34
CONTRACT NO. 64D18				
ILLINOIS FED. AID PROJECT				