

WEST EDGE OF SHOULDER

Location	Station	Offset (ft.)	Theoretical Grade Elevations
S. End of S. Approach	733+38.50	-16.00	635.95
A1	733+48.50	-16.00	635.95
A2	733+58.50	-16.00	635.96
N. End of S. Approach	733+68.50	-16.00	635.98

WEST EDGE OF PAVEMENT

Location	Station	Offset (ft.)	Theoretical Grade Elevations
S. End of S. Approach	733+38.50	-12.00	636.03
A1	733+48.50	-12.00	636.03
A2	733+58.50	-12.00	636.04
N. End of S. Approach	733+68.50	-12.00	636.06

CL IL RTE. 92 & PROFILE GRADE LINE

Location	Station	Offset (ft.)	Theoretical Grade Elevations
S. End of S. Approach	733+38.50	0.00	636.22
A1	733+48.50	0.00	636.22
A2	733+58.50	0.00	636.23
N. End of S. Approach	733+68.50	0.00	636.25

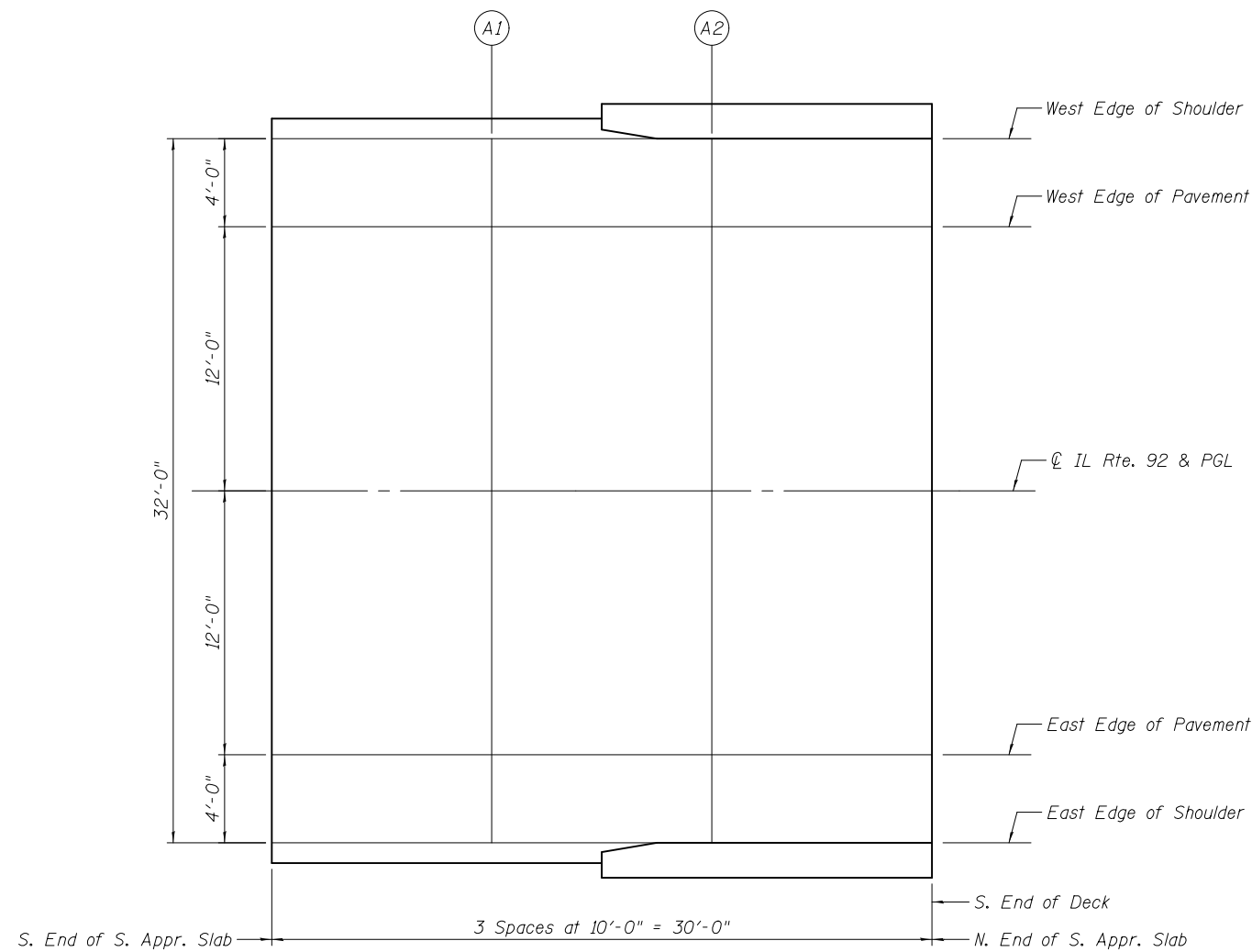


EAST EDGE OF PAVEMENT

Location	Station	Offset (ft.)	Theoretical Grade Elevations
S. End of S. Approach	733+38.50	12.00	636.03
A1	733+48.50	12.00	636.03
A2	733+58.50	12.00	636.04
N. End of S. Approach	733+68.50	12.00	636.06

EAST EDGE OF SHOULDER

Location	Station	Offset (ft.)	Theoretical Grade Elevations
S. End of S. Approach	733+38.50	16.00	635.95
A1	733+48.50	16.00	635.95
A2	733+58.50	16.00	635.96
N. End of S. Approach	733+68.50	16.00	635.98



PLAN

Note:
Offsets are measured from CL IL Rte. 92 & PGL.

6/19/2013 5:32:05 PM 0810196_64D18_007_T0A01.dgn



DESIGNED - MWS	REVISED -
CHECKED - TAY	REVISED -
DRAWN - MWS	REVISED -
CHECKED - BJM	REVISED -

**STATE OF ILLINOIS
DEPARTMENT OF TRANSPORTATION**

**TOP OF SOUTH APPROACH SLAB ELEVATIONS
STRUCTURE NO. 081-0196**

SHEET NO. 7 OF 20 SHEETS

F.A.P.	SECTION	COUNTY	TOTAL SHEETS	SHEET NO.
599	103MFT-BR	ROCK ISLAND	88	38
CONTRACT NO. 64D18			ILLINOIS FED. AID PROJECT	