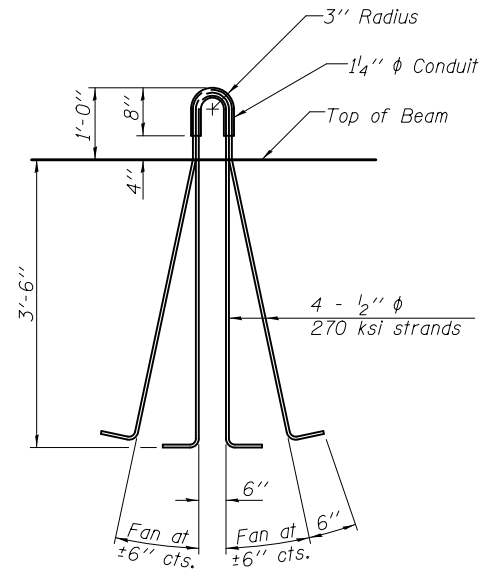
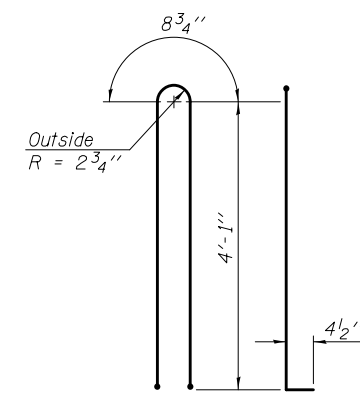


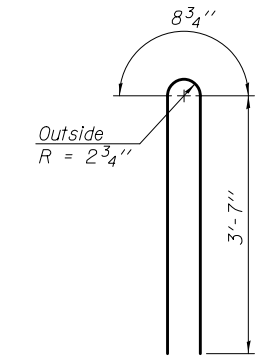
Notes:
 Inserts for 3/4" ϕ threaded dowel rods, when specified, are to be two strut, ferrule type for interior beams and single ferrule, flared loop type for exterior beams.
 Prestressing steel shall be uncoated high strength, low relaxation 7-wire strand, Grade 270. The nominal diameter shall be 1/2" and the nominal cross-sectional area shall be 0.153 sq. in.
 Reinforcement bars shall conform to ASTM A 706, Grade 60. (See Special Provisions). A minimum 2 1/2" ϕ lifting pin shall be used to engage the lifting loops during handling. The top and bottom plates shall be AASHTO M270 Grade 50. The bottom plates and studs shall be galvanized according to AASHTO M111. Top plates and threaded rods need not be galvanized.
 Threaded rods shall be ASTM F 1554 Grade 55.



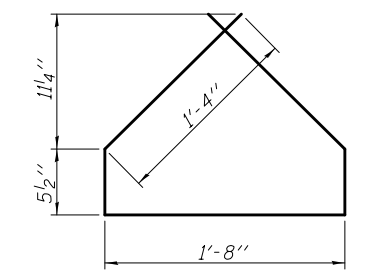
LIFTING LOOP DETAIL



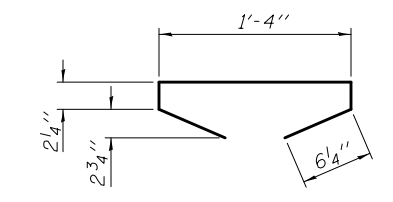
BAR G1



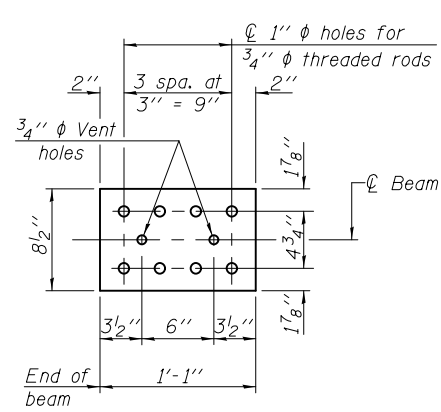
BAR G2



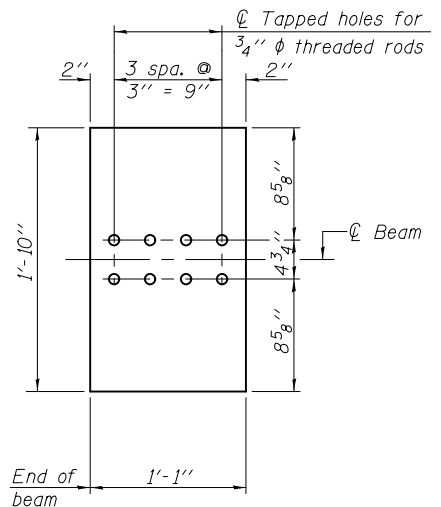
BAR G4



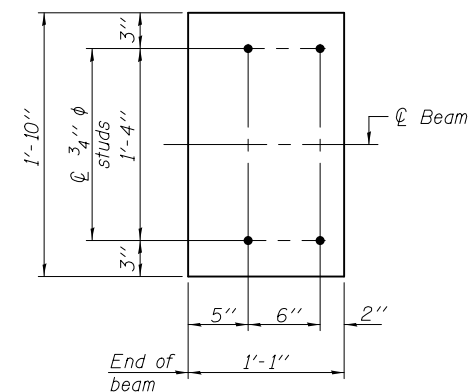
BAR G5



TOP PLATE



BOTTOM PLATE
(Showing threaded rods)



BOTTOM PLATE
(Showing studs)

BILL OF MATERIAL

Item	Unit	Total
Furnishing and Erecting Precast Prestressed Concrete I-Beams, 48"	Ft.	446

6/19/2013 5:32:12 PM 0810196_64D18_016_BM002.dgn



DESIGNED - BJM	REVISED -
CHECKED - MAS	REVISED -
DRAWN - BJM	REVISED -
CHECKED - BJM	REVISED -

STATE OF ILLINOIS
DEPARTMENT OF TRANSPORTATION

48" PPC I-BEAM DETAILS
STRUCTURE NO. 081-0196

SHEET NO. 16 OF 20 SHEETS

F.A.P.	SECTION	COUNTY	TOTAL SHEETS	SHEET NO.
599	103MFT-BR	ROCK ISLAND	88	47
CONTRACT NO. 64D18				
ILLINOIS FED. AID PROJECT				