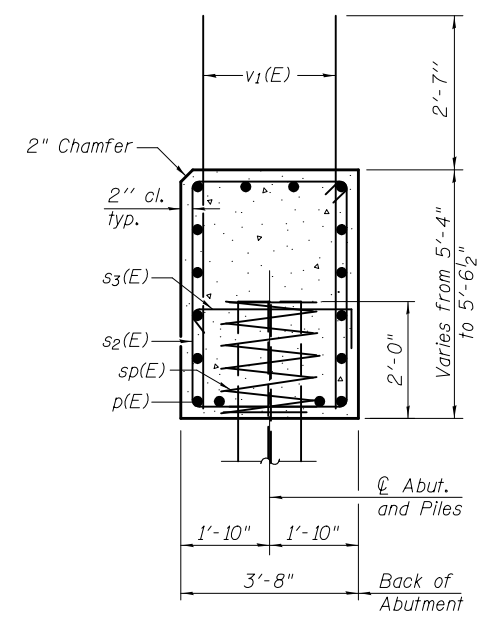
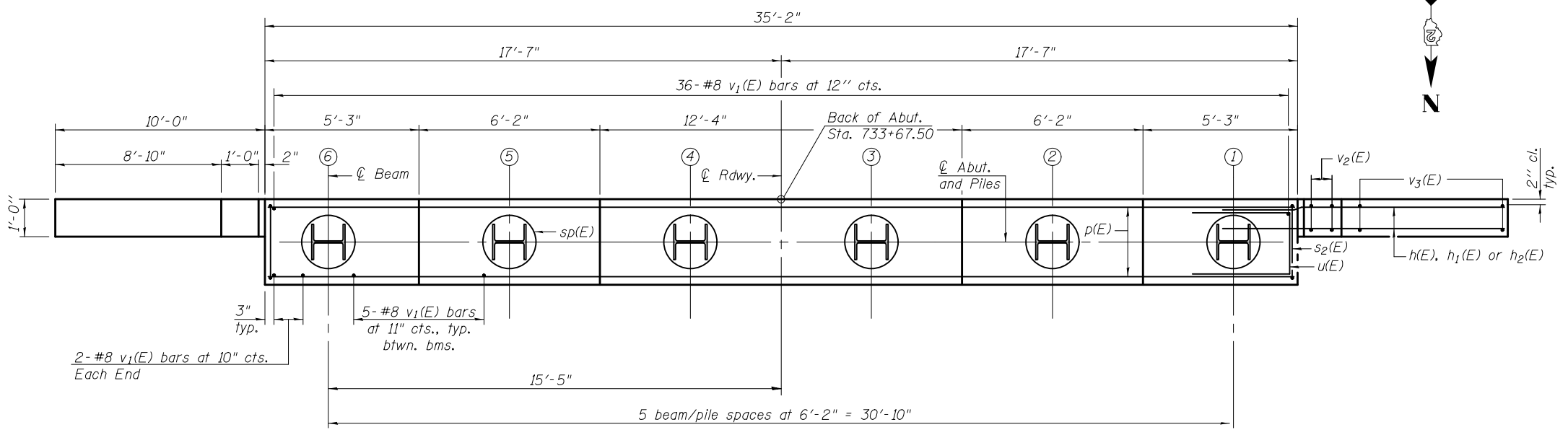


ELEVATION



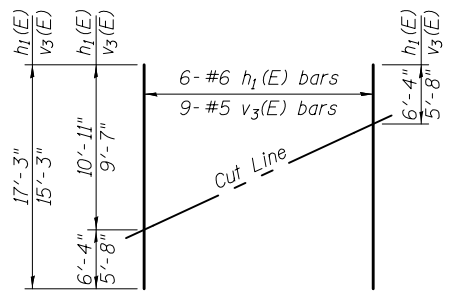
SEC. THRU ABUT.



PLAN

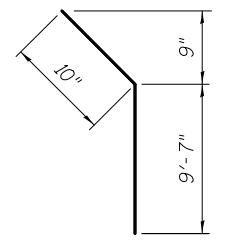
PILE DATA

Type: HP 14 x 73 with Pile Shoes
 Nominal Required Bearing: 578 k
 Factored Resistance Available: 318 k
 Est. Length: 22 ft
 No. Production Piles: 5
 No. Test Piles: 1

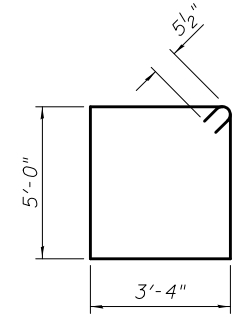


FIELD CUTTING DIAGRAM

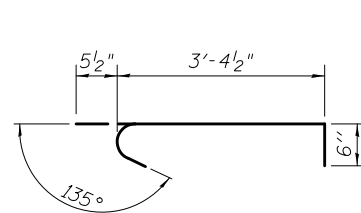
Order h₁(E) and v₃(E) full length. Cut as shown and use remainder of bars in opposite face.



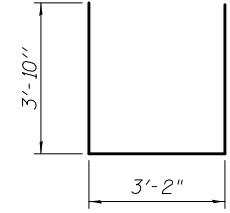
BAR h₂(E)



BAR s₂(E)



BAR s₃(E)



BAR u(E)

BILL OF MATERIAL

Bar	No.	Size	Length	Shape
h(E)	52	#6	11'-10"	—
h ₁ (E)	14	#6	17'-3"	—
h ₂ (E)	4	#5	10'-5"	—
p(E)	16	#7	34'-10"	—
s ₂ (E)	34	#5	17'-7"	□
s ₃ (E)	12	#5	4'-4"	┌
* sp(E)	6	#4	2'-0"	≡≡≡
u(E)	12	#6	10'-10"	▭
v ₁ (E)	65	#8	8'-0"	—
v ₂ (E)	8	#5	10'-1"	—
v ₃ (E)	18	#5	15'-3"	—
Structure Excavation		Cu. Yd.	92	
Concrete Structures		Cu. Yd.	30.3	
Reinforcement Bars, Epoxy Coated		Pound	5,380	
Furnishing Steel Piles HP 14x73		Foot	110	
Driving Piles		Foot	110	
Test Pile Steel HP 14x73		Each	1	
Pile Shoes		Each	6	
Geocomposite Wall Drain		Sq. Yd.	54	
Granular Backfill for Structures		Cu. Yd.	110	

* Length is height of spiral.
 For details of piles, see sheet 19 of 20.
 For drainage details, see sheet 2 of 20.

Notes:
 Pour steps monolithically with cap.

6/19/2013 5:32:13 PM 0810196_64018_017_ABU101.dgn



DESIGNED - MWS	REVISED -
CHECKED - BJM	REVISED -
DRAWN - MWS	REVISED -
CHECKED - BJM	REVISED -

**STATE OF ILLINOIS
 DEPARTMENT OF TRANSPORTATION**

**SOUTH ABUTMENT
 STRUCTURE NO. 081-0196**

SHEET NO. 17 OF 20 SHEETS

F.A.P.	SECTION	COUNTY	TOTAL SHEETS	SHEET NO.
599	103MFT-BR	ROCK ISLAND	88	48
CONTRACT NO. 64D18				
ILLINOIS FED. AID PROJECT				