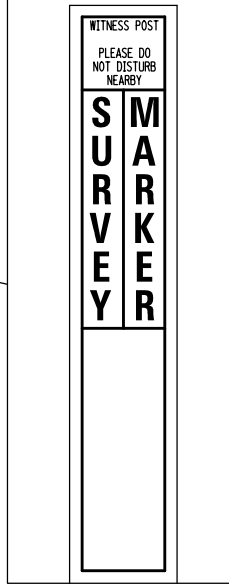
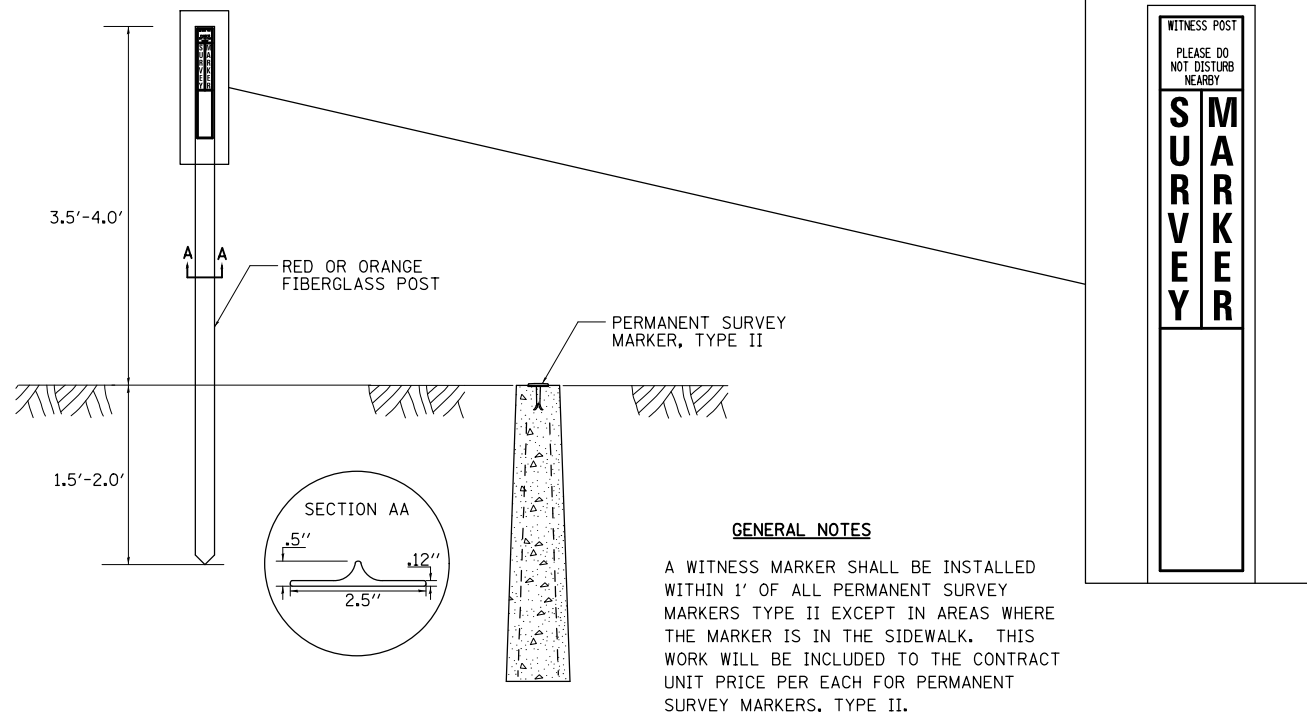
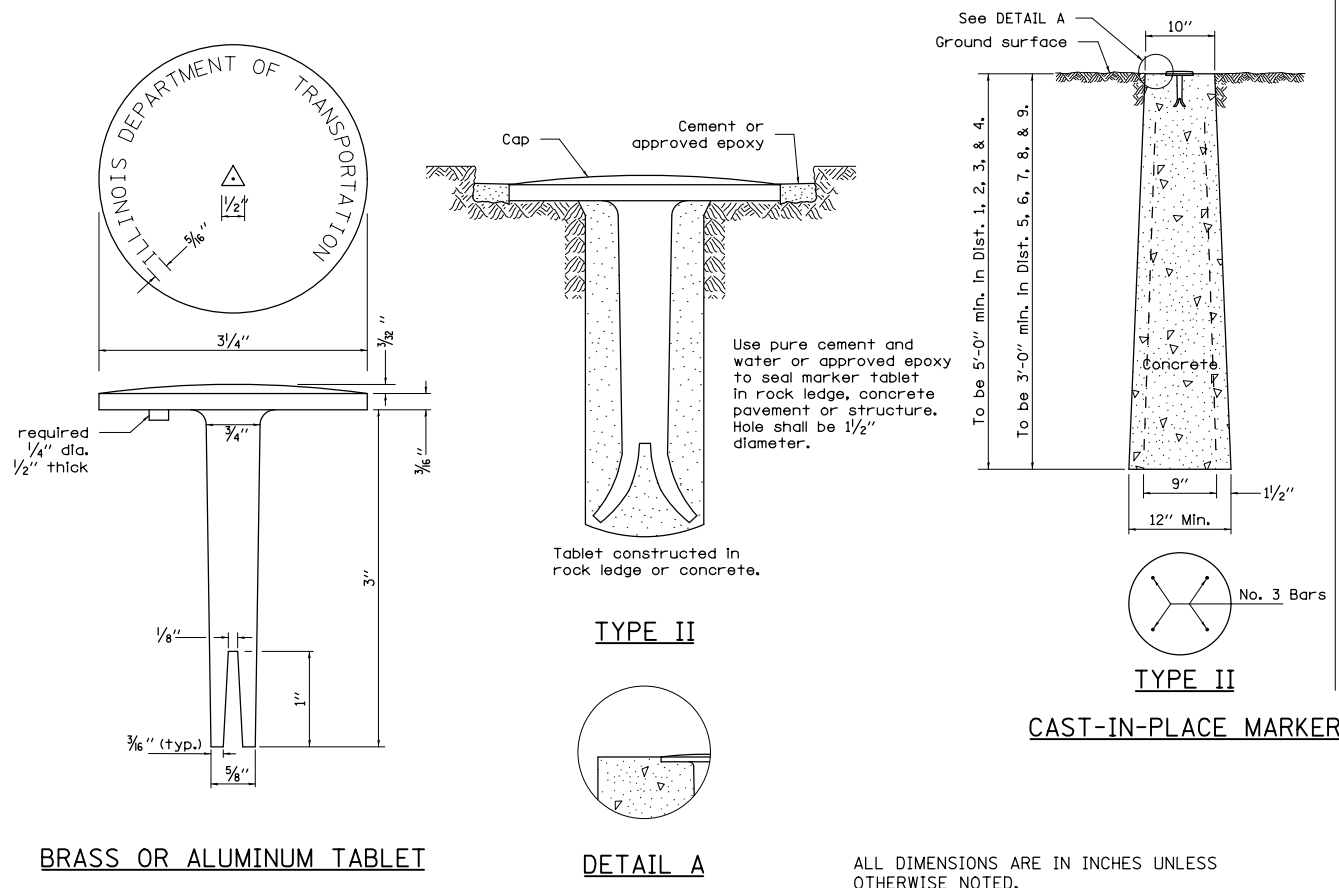


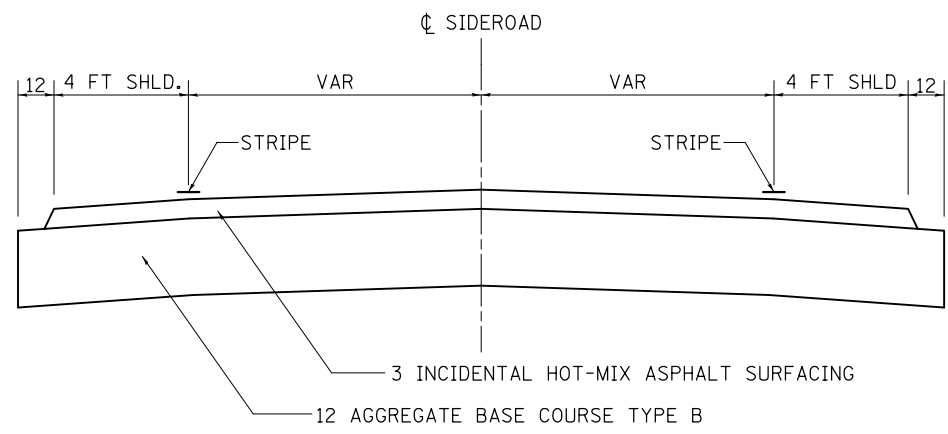
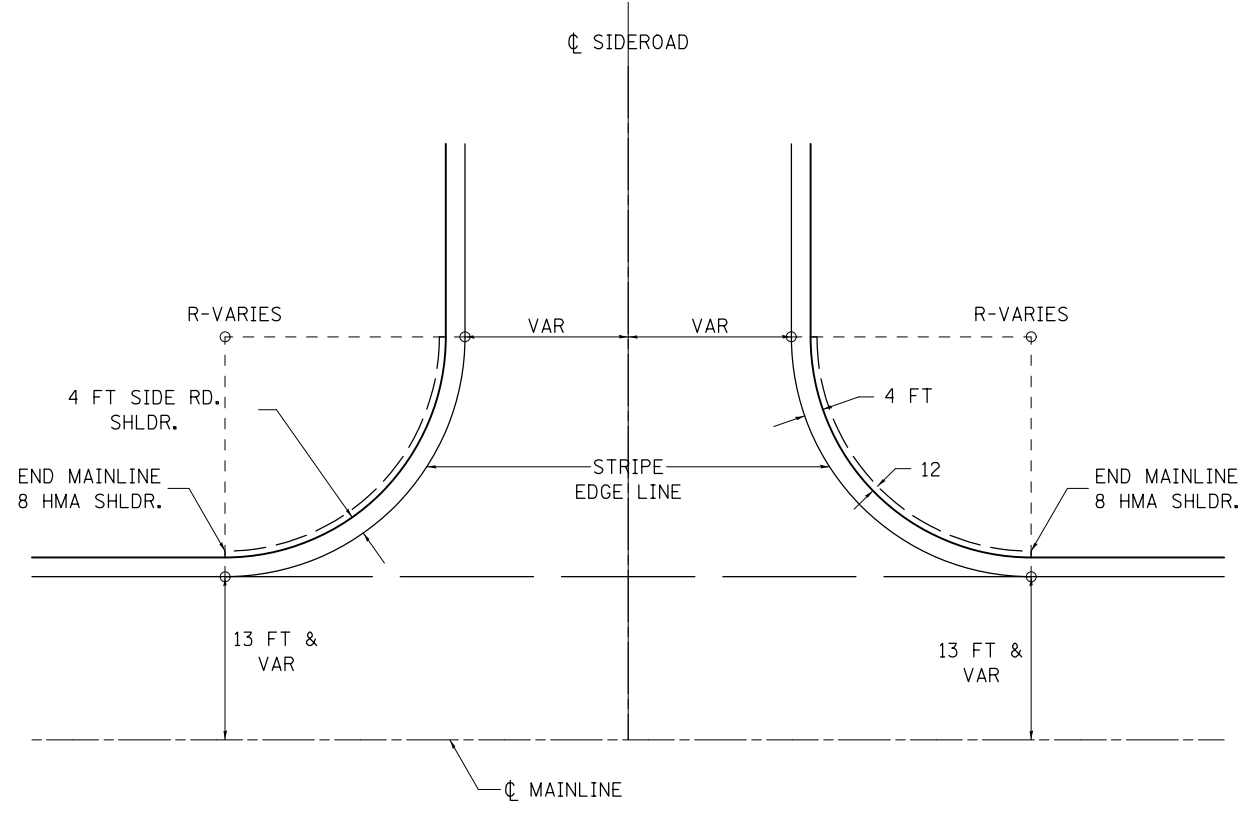
WITNESS MARKER FOR PERMANENT SURVEY MARKERS, TYPE II



PERMANENT SURVEY MARKERS, TYPE II



TYPICAL AGGREGATE BASE SIDEROAD



ALL DIMENSIONS ARE IN INCHES UNLESS OTHERWISE NOTED.

TYPICAL AGGREGATE BASE SIDEROAD 93.2

PLAN	SURVEYED	DATE
	PLOTTED	
	CHECKED	
	ALIGNED	
	FILED	
NOTE BOOK NO.	CAD FILE NAME	

PROFILE	SURVEYED	DATE
	PLOTTED	
	CHECKED	
	ALIGNED	
	FILED	
NOTE BOOK NO.	NOTATIS CHPO	

REVISED - 10-14-11 **WITNESS MARKER & PERMANENT SURVEY MARKERS, TYPE II 66.2**

REVISED - 10-14-11



USER NAME = mszmur-lo	DESIGNED KAC	REVISED
PLOT SCALE = 2.0000' / in.	DRAWN KMB	REVISED
PLOT DATE = 6/19/2013	CHECKED KAC	REVISED
	DATE 05-03-2013	REVISED

STATE OF ILLINOIS
DEPARTMENT OF TRANSPORTATION

IL 92 OVER BIG BRANCH CREEK DISTRICT 2 STANDARDS 66.2 AND 93.2			
SCALE:	SHEET NO.	OF SHEETS	STA. TO STA.

F.A.P. RTE. 599	SECTION 103MFT-BR	COUNTY ROCK ISLAND	TOTAL SHEETS 88	SHEET NO. 56
CONTRACT NO. 64D18				
FED. ROAD DIST. NO. ILLINOIS FED. AID PROJECT				