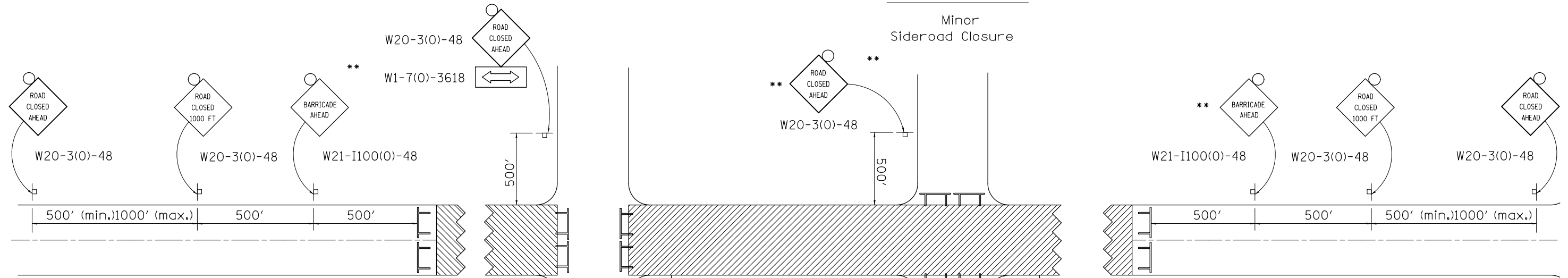


TRAFFIC CONTROL FOR ROAD CLOSURE

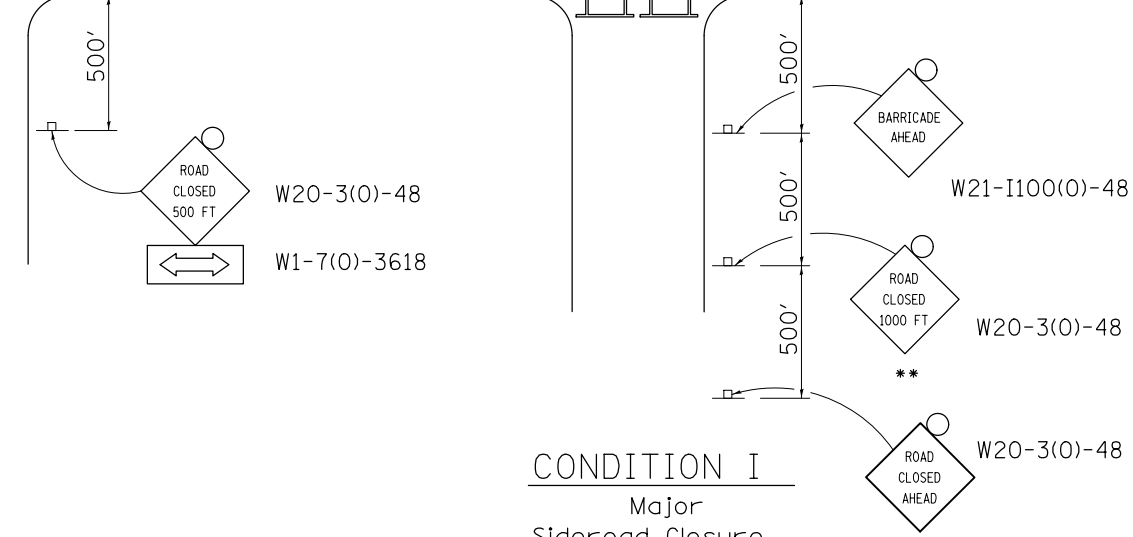
CONDITION II

Minor Sideroad Closure



CONDITION I

Major Sideroad Closure



GENERAL NOTES

Longitudinal dimensions may be adjusted to fit field conditions.

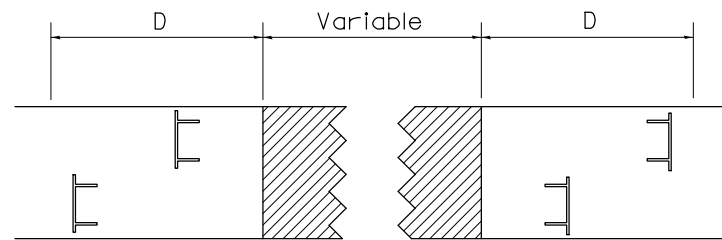
When speed limit is less than 45mph, change sign spacing to 250' and change ROAD CLOSED 1000 FT to ROAD CLOSED 500 FT.

Side roads requiring all three signs as shown in CONDITION I (Major Sideroad Closure), shall be listed in the special provision.

** Where local access is to be maintained, barricades are to be set up as shown in Road Closed to thru traffic. Type III Barricades and R11-2-4830 signs shall be as shown in "Road Closed To All Traffic" detail on Highway Standard 701901.

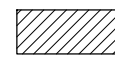
All dimensions are in inches unless otherwise shown.

ROAD CLOSED TO THRU TRAFFIC BARRICADE SET UP



Type III Barricades and R11-4-4830 signs shall be as shown in "Road Closed To Thru Traffic" detail on Highway Standard 701901. If the distance "D" exceeds 2000' an additional set of barricades and R11-4-4830 shall be placed at each end of the work area.

SYMBOLS



Work area



Type III Barricade with Flashers



Sign with flashing light

TYPICAL APPLICATION FOR ROAD CLOSURE

TRAFFIC CONTROL FOR ROAD CLOSURE

40.1

PLAN	SURVEYED	DATE
NOTE BOOK	PLOTTED	
NO.	CHECKED	
	ALIGNMENT	
	GRADES	
	STRUCTURE	
	NOTATIS	
	CHPND	

PROFILE	SURVEYED	DATE
NOTE BOOK	PLOTTED	
NO.	CHECKED	
	ALIGNMENT	
	GRADES	
	STRUCTURE	
	NOTATIS	
	CHPND	

FILE NAME = D206907.sht.dwt.dgn

Wight

USER NAME = mszmurlo	DESIGNED -	REVISED - 10-17-11
	DRAWN -	REVISED -
PLOT SCALE = 2.0000' / in.	CHECKED -	REVISED -
PLOT DATE = 6/19/2013	DATE -	REVISED -

STATE OF ILLINOIS
DEPARTMENT OF TRANSPORTATION

IL 92 OVER BIG BRANCH CREEK
DISTRICT 2 STANDARD 40.1

SCALE: SHEET NO. OF SHEETS STA. TO STA.

F.A.P. RTE.	SECTION	COUNTY	TOTAL SHEETS	SHEET NO.
599	103MFT-BR	ROCK ISLAND	88	59
CONTRACT NO. 64D18				
FED. ROAD DIST. NO. ILLINOIS FED. AID PROJECT				