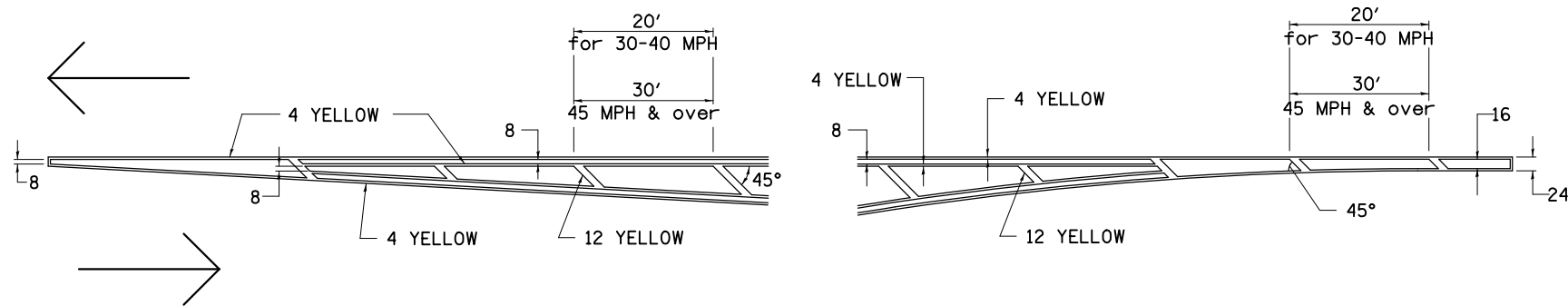
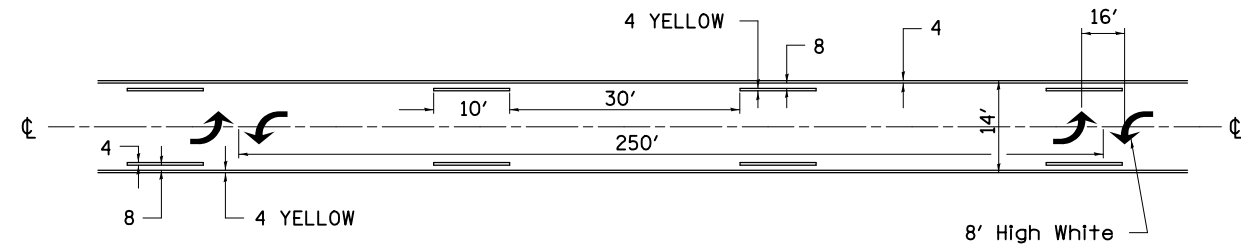


# TYPICAL PAVEMENT MARKINGS

## TYPICAL PAVEMENT MARKING FOR FLUSH MEDIAN AT LEFT TURN LANE

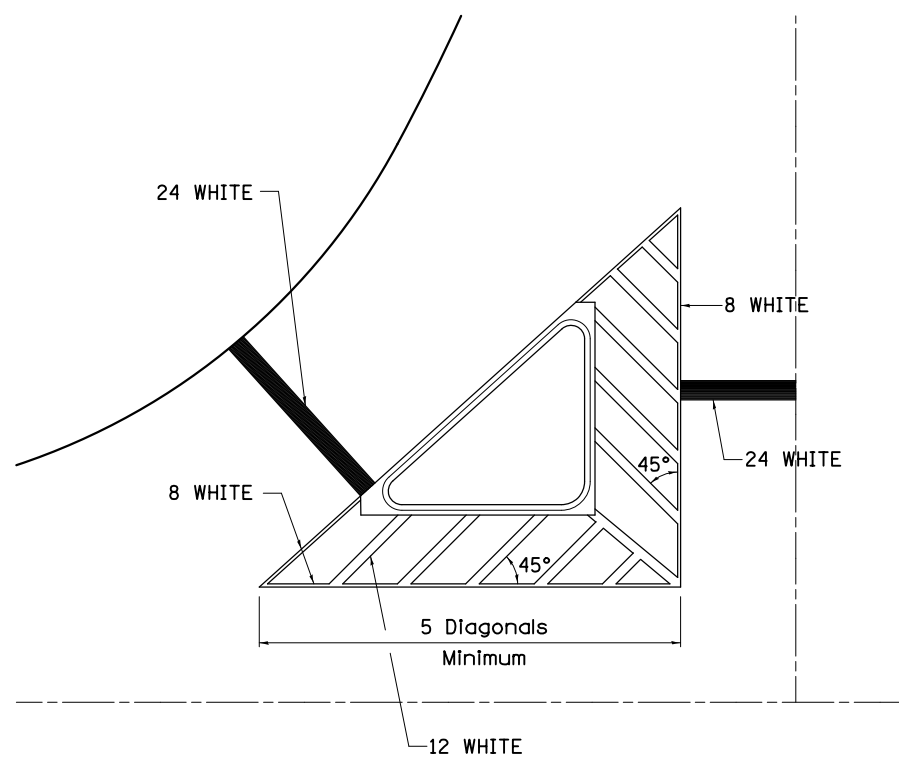


## MEDIAN PAVEMENT MARKING

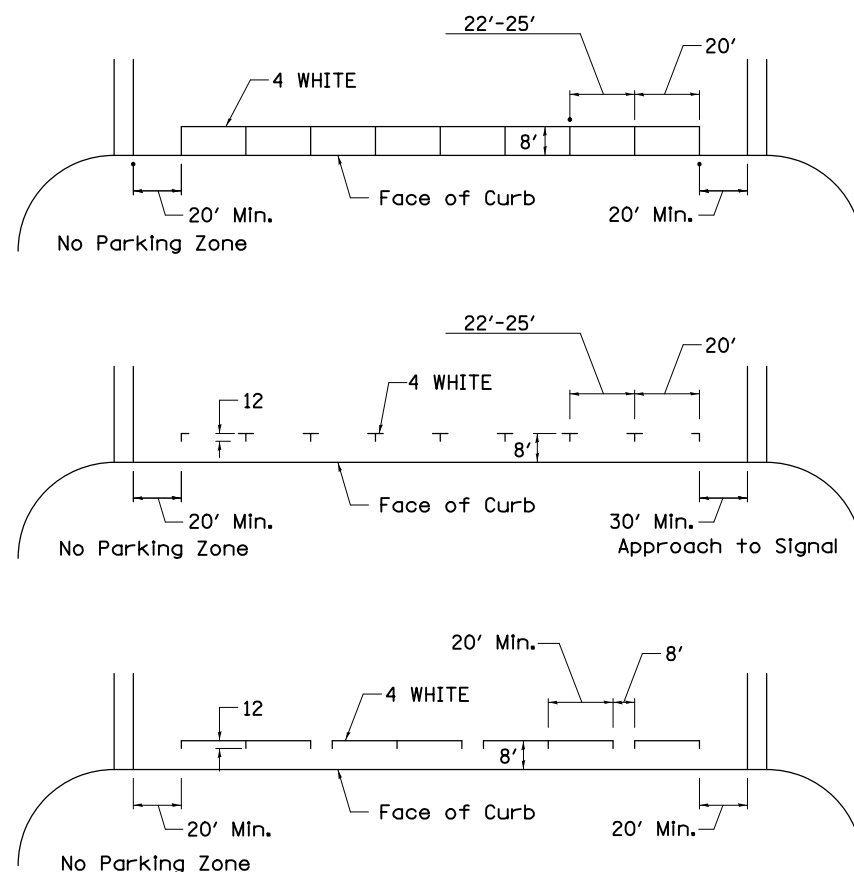


\*\* ALL DIMENSIONS ARE IN INCHES UNLESS OTHERWISE NOTED.

## TYPICAL ISLAND OFFSET SHOULDER WIDTH

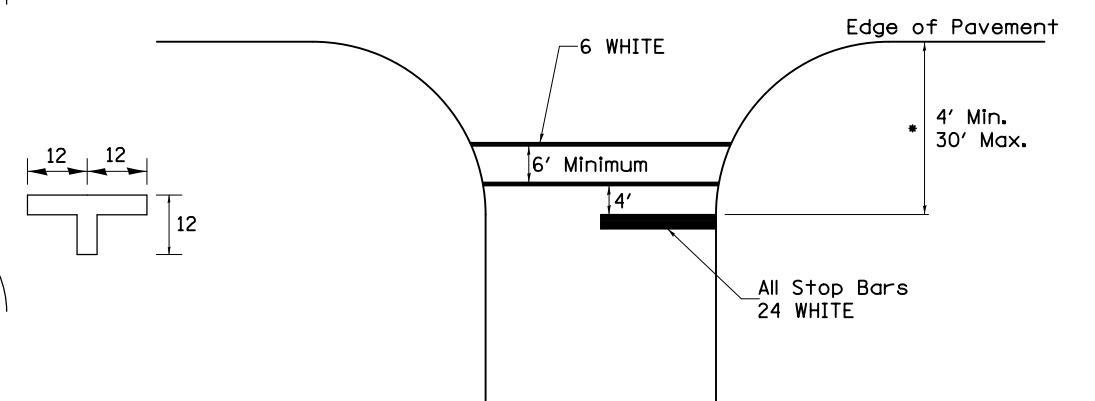


## TYPICAL PARKING SPACING



## STANDARD CROSSWALK MARKING

See Schedules for Locations



• Distance to the nearest edge of the intersecting roadway in the absence of a marked crosswalk.

PLAN	SURVEYED	DATE
NOTE BOOK	PLOTTED	BY
NO.	CHECKED	
	ALIGNMENT	
	STRUCTURE	
	ROAD FILE NAME	

PROFILE	SURVEYED	DATE
NOTE BOOK	PLOTTED	BY
NO.	CHECKED	
	GRADES	
	STRUCTURE	
	NOTATIONS	

FILE NAME = D206907.shl.dwg



USER NAME = mszmurlo	DESIGNED -	REVISED - 3-05-12
PLOT SCALE = 2.0000' / in.	DRAWN -	REVISED -
PLOT DATE = 6/19/2013	CHECKED -	REVISED -
	DATE -	REVISED -

STATE OF ILLINOIS  
DEPARTMENT OF TRANSPORTATION

IL 92 OVER BIG BRANCH CREEK  
DISTRICT 2 STANDARD 41.1

SCALE: SHEET NO. 1 OF 3 SHEETS STA. TO STA.

F.A.P. RTE.	SECTION	COUNTY	TOTAL SHEETS	SHEET NO.
599	103MFT-BR	ROCK ISLAND	88	60
CONTRACT NO. 64D18				
FED. ROAD DIST. NO.		ILLINOIS FED. AID PROJECT		