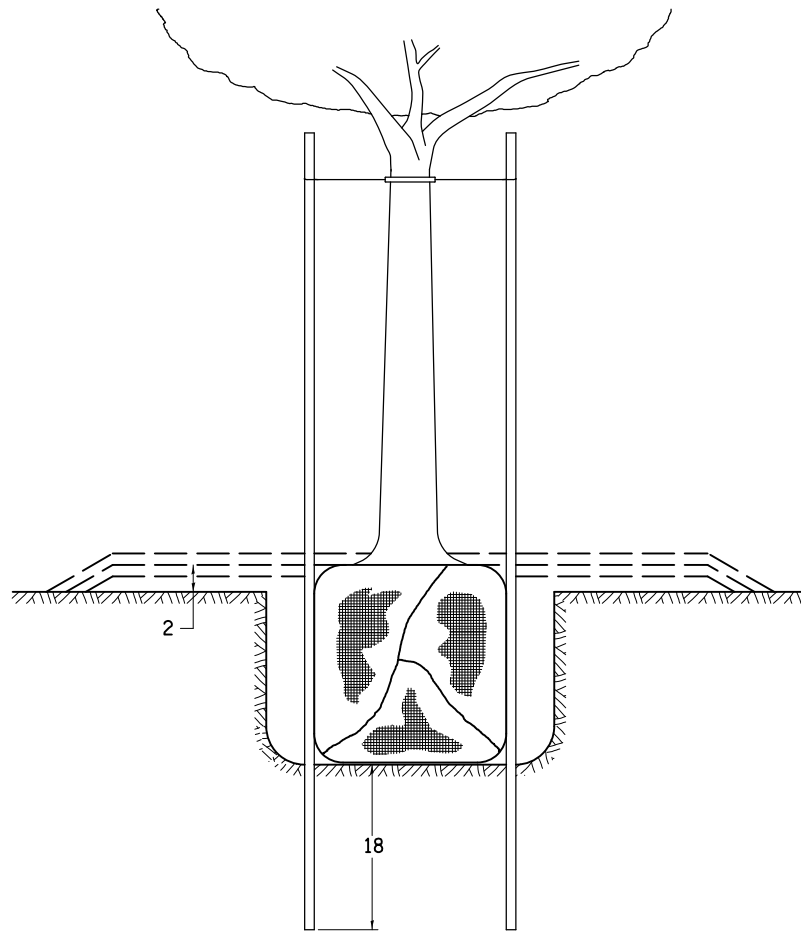


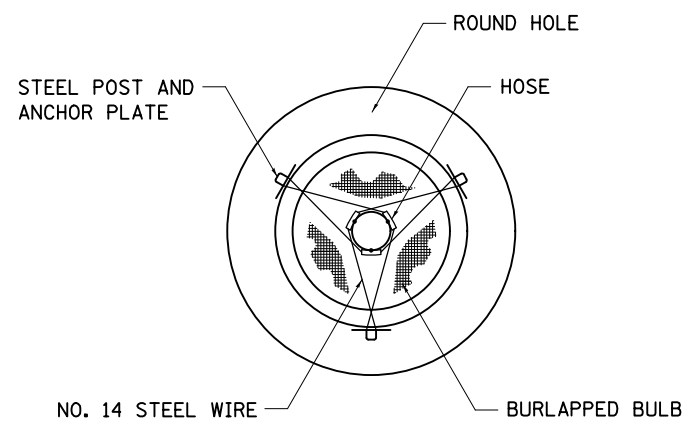
DETAILS OF PLANTING AND BRACING TREES

DATE _____ BY _____
 SURVEYED _____
 PLOTTED _____
 ALIGNED _____
 CHECKED _____
 NOTE BOOK NO. _____
 CAD FILE NAME _____

DATE _____ BY _____
 SURVEYED _____
 PLOTTED _____
 GRADES CHECKED _____
 STRUCTURE NOTATIONS CHECKED _____
 NOTE BOOK NO. _____

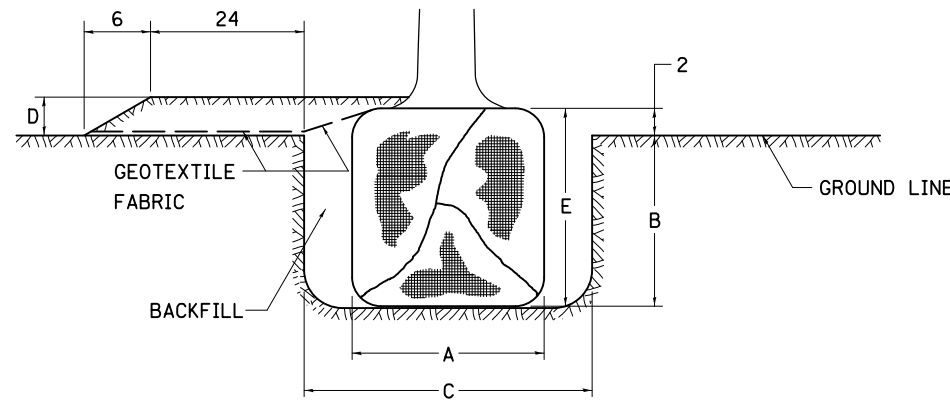


TREES SMALLER THAN 4 1/2 IN DIAMETER

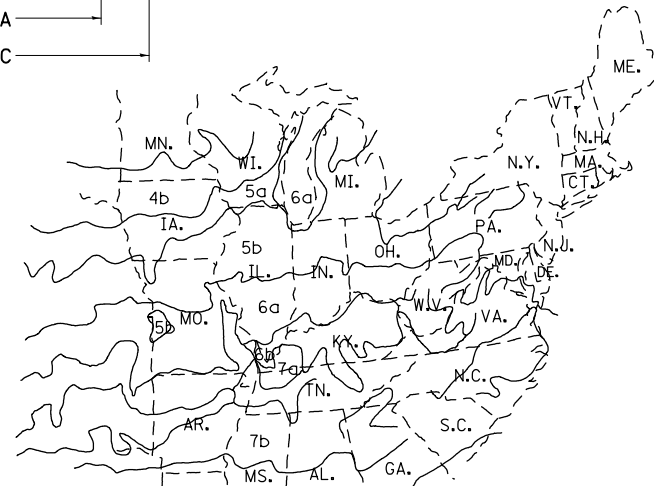
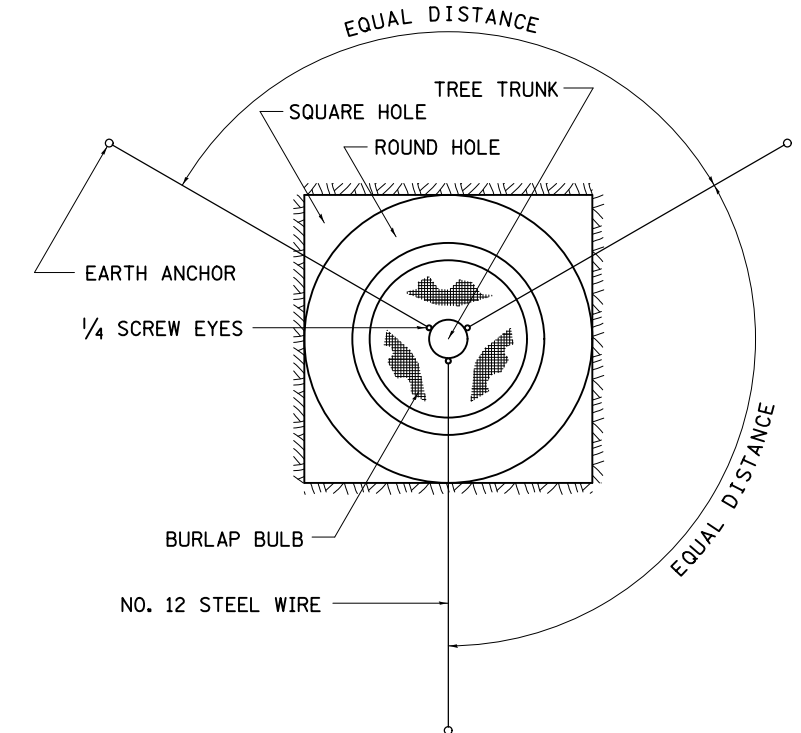


SMALL	A	B	C	D	E	F
TREE SIZE	DIAMETER OF BALL OR ROOT SYS.	DEPTH OF HOLE EXCAVATION	WIDTH OF HOLE EXCAVATION	THICKNESS OF MULCH COVER	DEPTH OF BALL OR ROOT SYS.	VOLUME OF MULCH COVER CU. YDS.
5'-6'	16	10	30	4	12	0.54
5'-6' BB	16	10	30	4	12	0.54
6'-7' BB	18	12	30	4	14	0.54
7'-8' BB	20	11	30	4	13	0.54
8'-10' BB	24	14	36	4	16	0.61
10'-12' BB	26	15	36	4	17	0.61

LARGE	A	B	C	D	E	F
TREE SIZE	DIAMETER OF BALL OR ROOT SYS.	DEPTH OF HOLE EXCAVATION	WIDTH OF HOLE EXCAVATION	THICKNESS OF MULCH COVER	DEPTH OF BALL OR ROOT SYS.	VOLUME OF MULCH COVER CU. YDS.
0-2	20	11	36	4	13	0.61
2-2 1/2 BB	24	14	48	4	16	0.78
2 1/2-3 BB	28	17	48	4	19	0.78
3-3 1/2 BB	32	17	60	4	19	0.96
3 1/2-4 BB	36	20	60	4	22	0.96
4-4 1/2 BB	40	22	72	4	24	1.16
4 1/2-5 BB	44	24	72	4	26	1.16
5-5 1/2 BB	48	27	84	4	29	1.38



TREES OVER 4 1/2 IN DIAMETER



PLANT HARDINESS ZONE MAP

U.S. DEPARTMENT OF AGRICULTURE
 AGRICULTURAL RESEARCH SERVICE
 PUBLICATION NO. 814

1/4 SCREW EYES STAGGERED VERTICALLY. APPROXIMATELY EVERY 6.

EARTH ANCHOR PLACED PARALLEL TO LINE OF PULL.

2/3 LENGTH OF THE VERTICLE DISTANCE

ALL DIMENSIONS ARE IN INCHES UNLESS OTHERWISE NOTED.

DETAILS OF PLANTING AND BRACING TREES

92.1



USER NAME = mszmurlo	DESIGNED -	REVISED - 10-18-11
PLOT SCALE = 2.0000' / in.	DRAWN -	REVISED -
PLOT DATE = 6/19/2013	CHECKED -	REVISED -
	DATE -	REVISED -

STATE OF ILLINOIS
 DEPARTMENT OF TRANSPORTATION

IL 92 OVER BIG BRANCH CREEK
 DISTRICT 2 STANDARD 92.1

SCALE: SHEET NO. OF SHEETS STA. TO STA.

F.A.P. RTE.	SECTION	COUNTY	TOTAL SHEETS	SHEET NO.
599	103MFT-BR	ROCK ISLAND	88	63
FED. ROAD DIST. NO.			ILLINOIS FED. AID PROJECT	
			CONTRACT NO. 64D18	

FILE NAME = D206907.sht.det.11.dgn