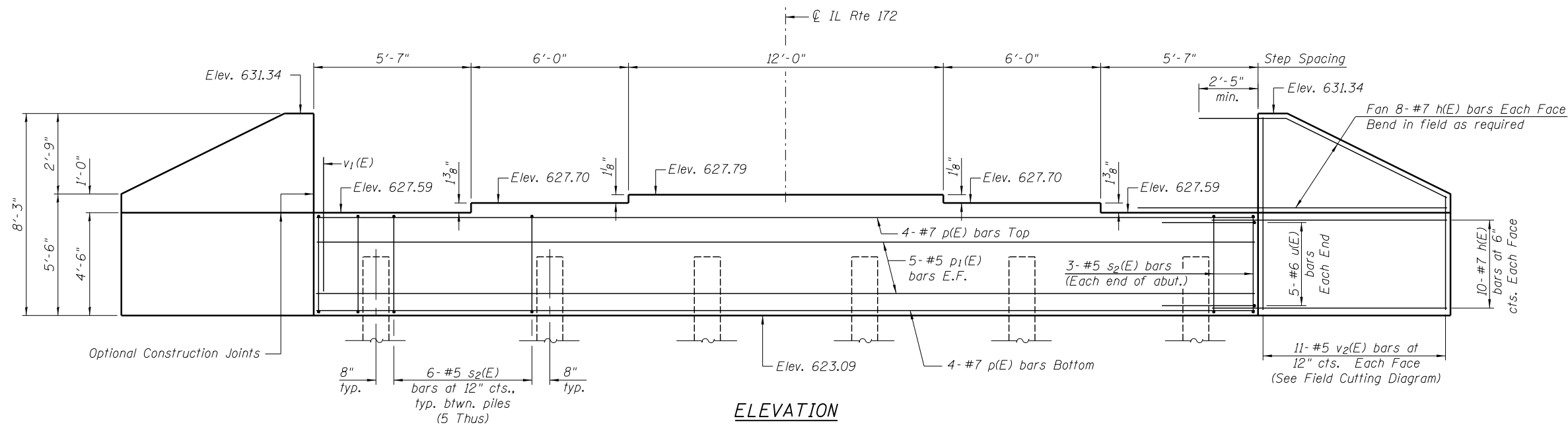
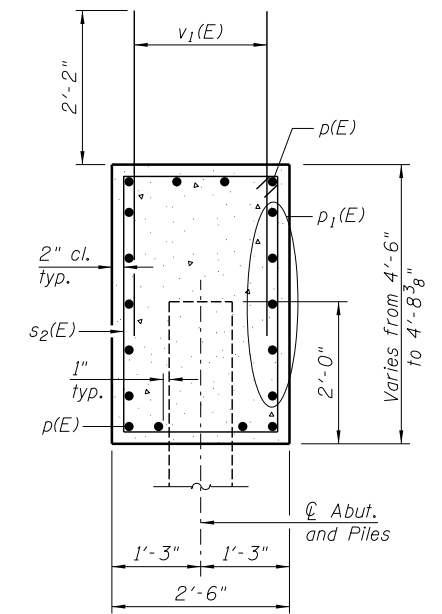


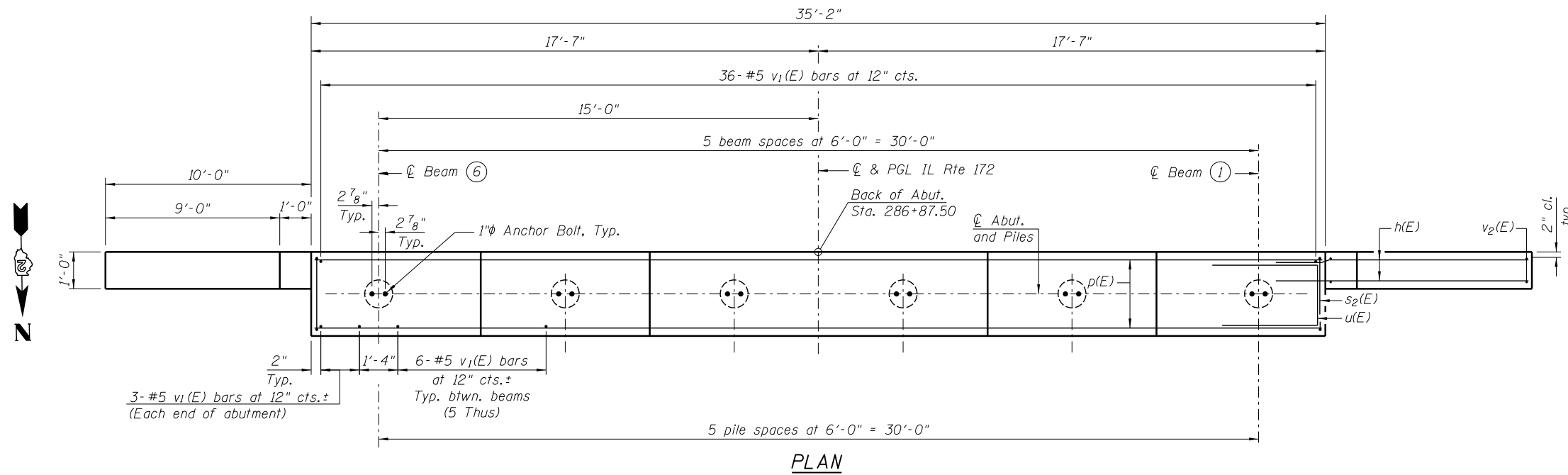
Notes:
Pour steps monolithically with cap.



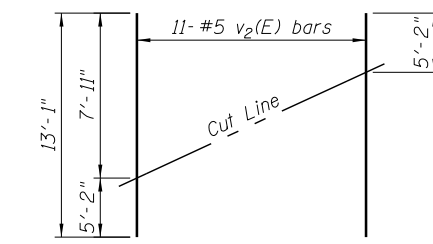
ELEVATION



SEC. THRU ABUT.



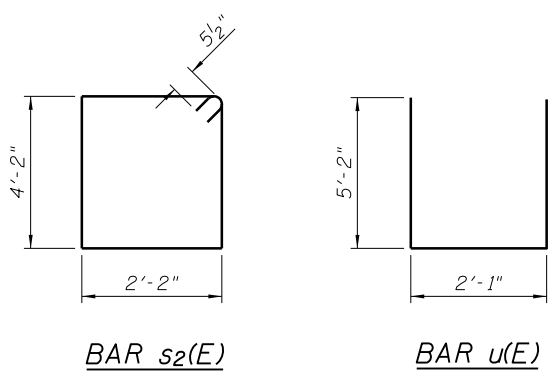
PLAN



FIELD CUTTING DIAGRAM

Order v2(E) full length. Cut as shown and use remainder of bars in opposite face.

PILE DATA
Type: Metal Shell 14 in. dia. x 0.25 in. walls
Nominal Required Bearing: 364k
Factored Resistance Available: 200k
Est. Length: 59'
No. Production Piles: 5
No. Test Piles: 1



BILL OF MATERIAL

Bar	No.	Size	Length	Shape
h(E)	72	#7	12'-8"	—
p(E)	8	#7	34'-10"	—
p1(E)	10	#5	34'-10"	—
s2(E)	36	#5	13'-7"	□
u(E)	10	#6	12'-5"	□
v1(E)	72	#5	4'-4"	—
v2(E)	22	#5	13'-1"	—
Structure Excavation			Cu. Yd.	132
Concrete Structures			Cu. Yd.	20.1
Reinforcement Bars, Epoxy Coated			Pound	4,120
Furnishing Metal Shell Piles 14"x0.250"			Foot	295
Driving Piles			Foot	295
Test Pile, Metal Shells			Each	1

For details of metal shell piles, see sheet 16 of 19.

Space reinforcement in cap to miss anchor bolts.

FILE NAME = ...E4081-S0902019-014-SouthAbut.dgn



Zroka Engineering, P.C.
4216 North Hermitage
Chicago, IL 60613

USER NAME = SAW
DESIGNED - PMM
CHECKED - DAZ
DRAWN - SAW
CHECKED - LAS
PLOT SCALE = 0:2.0000 'ft' / in.
PLOT DATE = 6/12/2013

REVISIED -
REVISIED -
REVISIED -
REVISIED -

STATE OF ILLINOIS
DEPARTMENT OF TRANSPORTATION

SOUTH ABUTMENT
S.N. 098-0119

SHEET NO. 14 OF 19 SHEETS

F.A.S. RTE.	SECTION	COUNTY	TOTAL SHEETS	SHEET NO.
200	141B-2	WHITESIDE	77	39

CONTRACT NO. 64D81

ILLINOIS FED. AID PROJECT