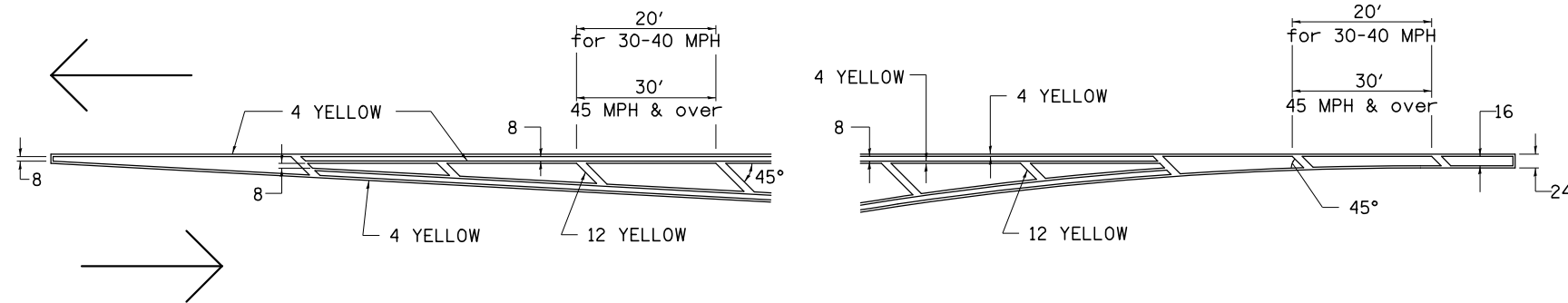
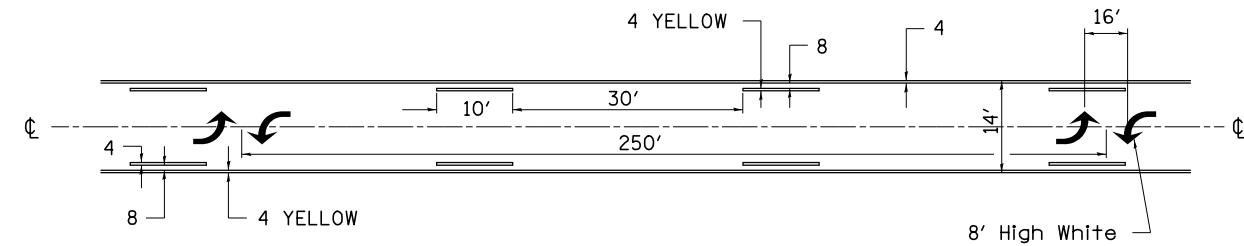


TYPICAL PAVEMENT MARKINGS

TYPICAL PAVEMENT MARKING FOR FLUSH MEDIAN AT LEFT TURN LANE

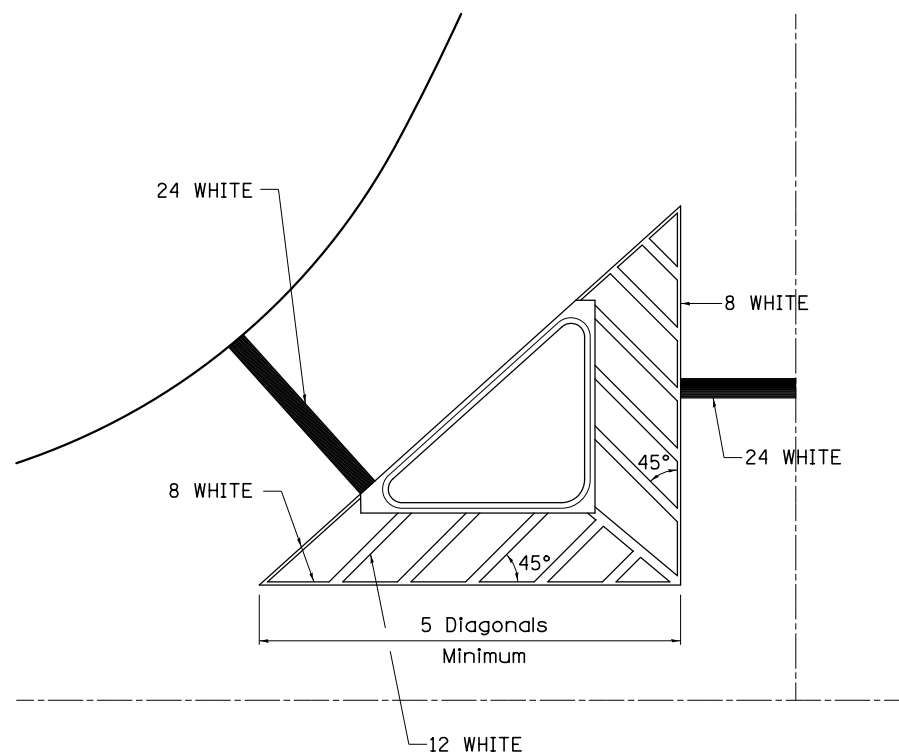


MEDIAN PAVEMENT MARKING

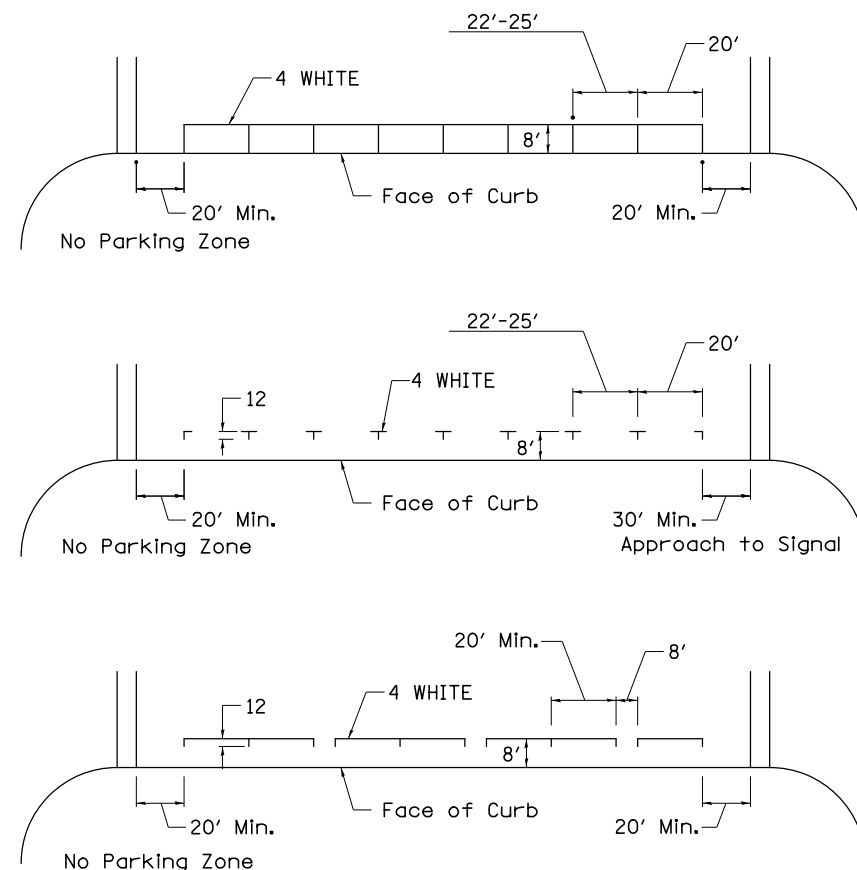


** ALL DIMENSIONS ARE IN INCHES UNLESS OTHERWISE NOTED.

TYPICAL ISLAND OFFSET SHOULDER WIDTH

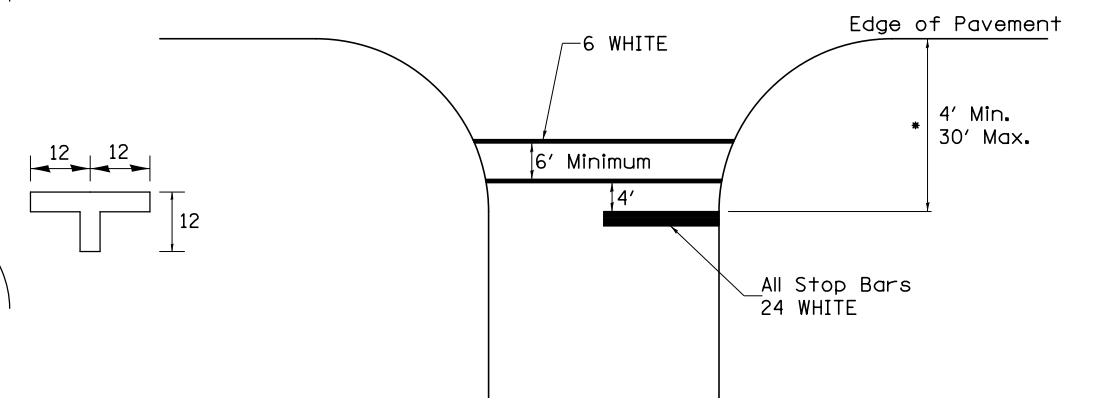


TYPICAL PARKING SPACING



STANDARD CROSSWALK MARKING

See Schedules for Locations



* Distance to the nearest edge of the intersecting roadway in the absence of a marked crosswalk.

FILE NAME = *FILEL*	USER NAME = *USER*	DESIGNED -	REVISED - 3-05-12	STATE OF ILLINOIS DEPARTMENT OF TRANSPORTATION	REGION 2 / DISTRICT 2 STANDARD			F.A. RTE.	SECTION	COUNTY	TOTAL SHEETS	SHEET NO.		
		DRAWN -	REVISED -		SCALE:	SHEET NO.	OF SHEETS	STA.	TO STA.	200	141B-2	WHITESIDE	77	69
		CHECKED -	REVISED -									CONTRACT NO. 64DB1		
		DATE -	REVISED -									ILLINOIS FED. AID PROJECT		