

Bench Mark: RR Spike at Section Corner, Sta. 289+96.18, 7.81' Left, Elev. 629.04

Existing Structure: S.N. 098-0044 originally constructed in 1933 as SBI Route 82 Section 141B. Reconstructed in 1982 as FAS Rte. 200 Section 141BR with PPC deck beams. Single span PPC Deck Beam superstructure supported on closed abutments. Bk. to Bk. abutments is 43'-0" and Out to Out width is 33'-0".

Existing structure shall be removed and replaced. Traffic shall be detoured during construction.

Existing wide flange steel beam supports to be removed and taken to the nearest IDOT maintenance yard for salvage.

LOADING HL-93

Allow 50#/sq. ft. for future wearing surface

DESIGN SPECIFICATIONS

2010 AASHTO LRFD Bridge Design Specifications with 2010 Interims

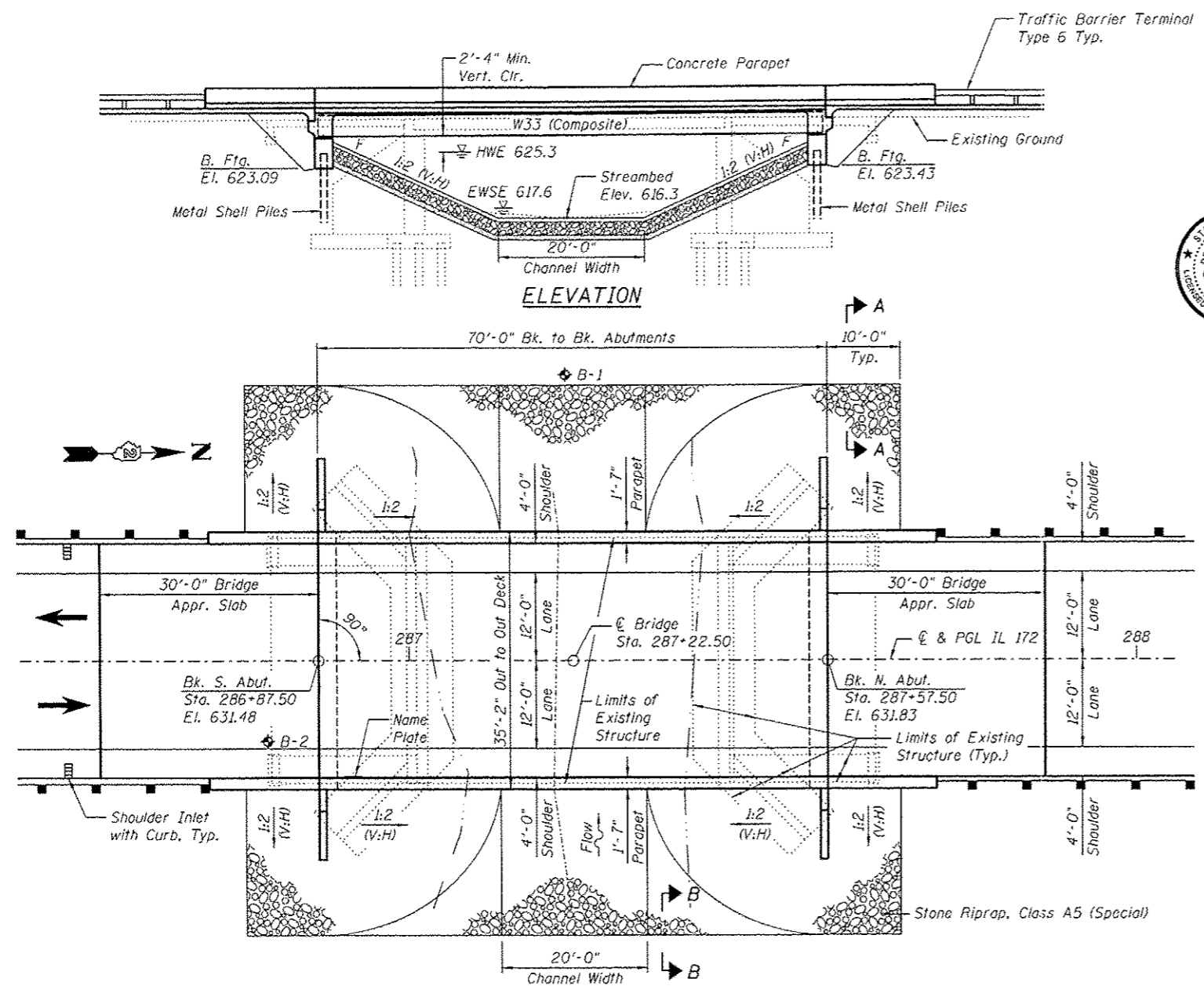
DESIGN STRESSES

FIELD UNITS

$f_c = 3,500$ psi
 $f_y = 60,000$ psi (reinforcement)
 $f_y = 50,000$ psi (M270 Grade 50W)

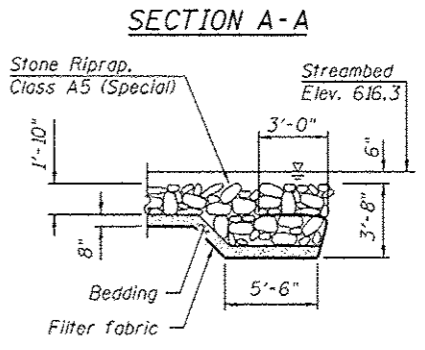
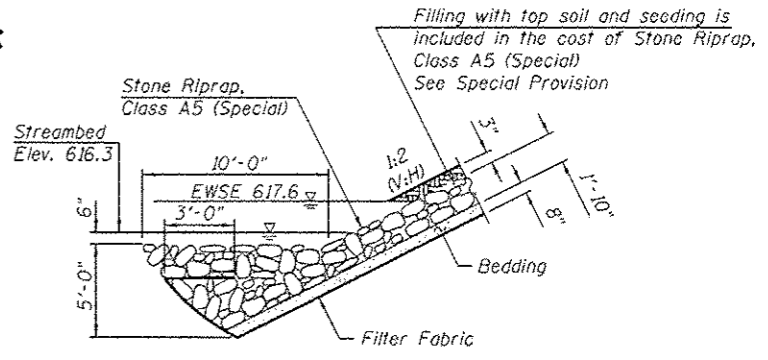
SEISMIC DATA

Seismic Performance Zone (SPZ) = 1
 Design Spectral Acceleration @ 1.0 sec (SD1) = 0.088g
 Design Spectral Acceleration @ 0.2 sec (SDS) = 0.142g
 Soil Site Class = D



STATE OF ILLINOIS
 PROFESSIONAL ENGINEER
 081-005152
 EXP. 12/31/14
 Signature: *Dan Kelly*
 Date: 6-10-2013
 Expires: November 30, 2014

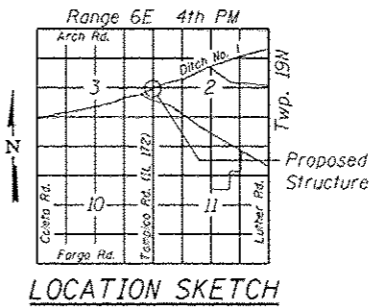
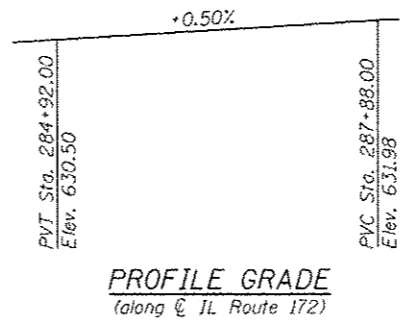
APPROVED
 For Structural Adequacy Only
P. Carl Runey, P.E.
 Engineer of Bridges & Structures



LEGEND

◆ Soil Boring

PLAN



GENERAL PLAN & ELEVATION
IL RTE 172 OVER COUNTY DITCH
F.A.S. RTE. 200
SECTION 141B-2
WHITESIDE COUNTY
STATION 287+22.50
STRUCTURE NO. 098-0119

ZROKA
 engineering
 Zroka Engineering, P.C.
 4216 North Hermitage
 Chicago, IL 60613

USER NAME = SAW	DESIGNED - PMM	REVISED -
PLOT SCALE = 8:2,000 1" = 40'	CHECKED - DAZ	REVISED -
PLOT DATE = 6/20/2013	DRAWN - SAW	REVISED -
	CHECKED - LAS	REVISED -

STATE OF ILLINOIS
 DEPARTMENT OF TRANSPORTATION

GENERAL PLAN & ELEVATION
 S.N. 098-0119
 SHEET NO. 1 OF 19 SHEETS

F.A.S. RTE.	SECTION	COUNTY	TOTAL SHEETS	SHEET NO.
200	141B-2	WHITESIDE	77	26
			CONTRACT NO. 64081	
ILLINOIS FED. AID PROJECT				