

HORIZONTAL CONTROL POINTS

POINT	NORTH	EAST	ELEVATION	CHAIN	STATION	OFFSET	DESCRIPTION
1	1977187.7290	2355773.3500	747.8100	US52	673+35.0765	22.5531' RT	GPS CONTROL POINT, PIN
2	1977225.8130	2356276.7150	754.2760	US52	678+38.0939	19.8747' LT	GPS CONTROL POINT, PIN
3	1977236.6620	2362418.1730	768.3080	US52	739+80.6778	15.6257' LT	GPS CONTROL POINT, PIN
4	1977206.5480	2363039.2220	768.7100	US52	746+00.8985	28.3634' RT	GPS CONTROL POINT, PIN

SURVEY WORK POINTS

POINT	NORTH	EAST	ELEVATION	CHAIN	STATION	OFFSET	DESCRIPTION
100	1977174.4940	2357812.5740	824.3170	US52	693+74.3387	18.1844' RT	TRAVERSE STATION, PIN
101	1977167.3860	2358553.4430	835.4620	US52	701+15.2415	18.8967' RT	TRAVERSE STATION, PIN

BENCH MARKS

POINT	NORTH	EAST	ELEVATION	CHAIN	STATION	OFFSET	DESCRIPTION
401	1977229.6463	2355817.3366	751.6605	US52	673+78.6996	19.7424' LT	DISK, HANDRAIL
402	1977261.7532	2356287.6027	752.4485	US52	678+48.6710	55.9076' LT	POWER POLE, BENCH TIE
403	1977187.8144	2362394.8560	768.6719	US52	739+56.2747	32.6885' RT	POWER POLE, BENCH TIE
404	1977208.9564	2362773.0818	768.6350	US52	743+34.8786	20.0065' RT	DISK, HEADWALL
454	1977496.8042	2385087.9703	809.5061	US52	966+81.6970	40.7672' RT	BOLT, SIGN FOUNDATION

APPARENT PROPERTY CORNERS

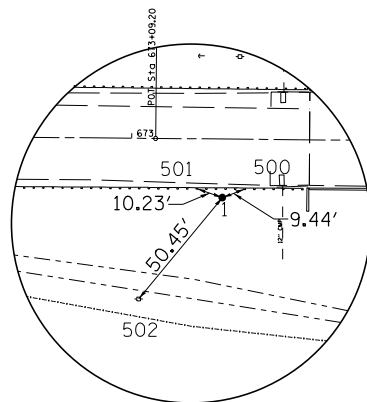
POINT	NORTH	EAST	ELEVATION	CHAIN	STATION	OFFSET	DESCRIPTION
700	1977184.3870	2358336.6531	833.9663	US52	698+98.3129	3.7677' RT	SECTION CORNER, PK NAIL
701	1977322.4051	2368981.8220	804.1772	US52	805+44.8168	3.3555' LT	SECTION CORNER, PK NAIL
702	1977397.3838	2374332.8387	825.8243	US52	858+99.6876	5.3262' LT	SECTION CORNER, PK NAIL
703	1977360.0992	2374350.8975	825.9582	US52	859+19.2264	31.2046' RT	WITNESS CORNER, PIN
704	1977286.8265	2377034.8038	862.1386	US52	886+03.9127	3.1636' LT	QUARTER CORNER, PIN
705	1977315.3954	2377057.1012	863.1124	US52	886+25.0470	32.6034' LT	WITNESS CORNER, PIN
706	1977235.2015	2377071.4410	862.5088	US52	886+42.5898	46.9513' RT	WITNESS CORNER, PIN
707	1977363.8828	2379734.4676	818.1588	US52	913+24.0240	33.2536' LT	SECTION CORNER, PIN
708	1977433.6288	2379733.6686	818.5150	US52	913+38.6159	101.4608' LT	SECTION CORNER, PIN
709	1977532.7255	2384522.9085	816.0113	US52	961+17.3578	5.1294' LT	SECTION CORNER, PK NAIL
711	1977607.9581	2388278.3805	864.1045	US52	998+73.0803	32.8495' LT	R.O.W. CORNER, PIPE
712	1977634.5269	2389857.3173	857.2841	US52	1014+53.9066	24.9307' LT	SECTION CORNER, PIN

REFERENCE TIES

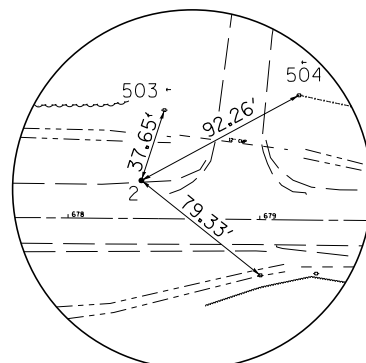
POINT	CHAIN	STATION	OFFSET	DESCRIPTION
500	US52	673+43.6989	18.7026' RT	GUARDPOST, SHINER
501	US52	673+25.6466	18.5944' RT	GUARDPOST, SHINER
502	US52	673+03.0973	61.5583' RT	POWER POLE, SHINER
503	US52	678+48.6834	56.0068' LT	POWER POLE, SHINER
504	US52	679+18.3430	65.3862' LT	POWER POLE, SHINER
505	US52	739+56.3302	32.7633' RT	POWER POLE, SHINER
506	US52	739+09.3750	33.4329' RT	R.O.W. MARKER, BACK
507	US52	745+91.4879	20.7474' RT	GUARDPOST, SHINER
508	US52	745+85.2804	20.3084' RT	GUARDPOST, SHINER
509	US52	745+79.0546	20.8398' RT	GUARDPOST, SHINER

CURVE POINT NUMBERS

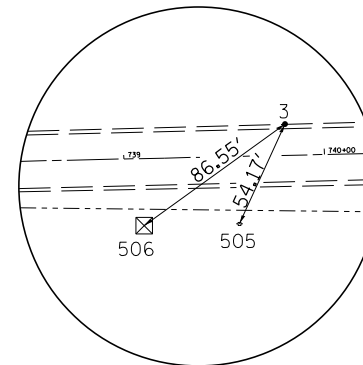
CHAIN	CURVE	PI	CC	PC	PT
US52	210	210	211	212	213
US52	220	220	221	222	223
US52	230	230	231	232	233
US52	240	240	241	242	243
US52	250	250	251	252	253
US52	260	260	261	262	263
US52	270	270	271	272	273
US52	280	280	281	282	283
US52	290	290	291	292	293



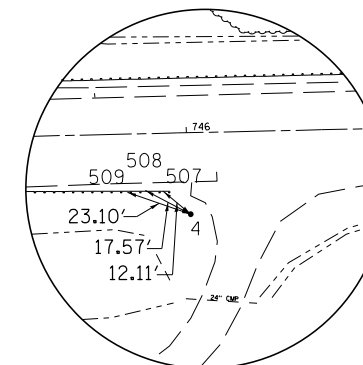
HORIZONTAL CONTROL # 1



HORIZONTAL CONTROL # 2



HORIZONTAL CONTROL # 3



HORIZONTAL CONTROL # 4

FILE NAME =	USER NAME = *USER*	DESIGNED - RAC	REVISED -
*FILE#		DRAWN - LCR	REVISED -
	PLOT SCALE = *SCALE*	CHECKED - DAZ	REVISED -
	PLOT DATE = *DATE*	DATE - 06-28-13	REVISED -

**STATE OF ILLINOIS
DEPARTMENT OF TRANSPORTATION**



Zroka Engineering, P.C.
4216 North Hermitage
Chicago, IL 60613

ALIGNMENT, TIES AND BENCHMARKS

SCALE: SHEET 2 OF 2 SHEETS STA. TO STA.

F.A.P. RTE.	SECTION	COUNTY	TOTAL SHEETS	SHEET NO.
17	4BR-5 & 4BR-6	CARROLL	150	19
CONTRACT NO. 64D83				
ILLINOIS FED. AID PROJECT				