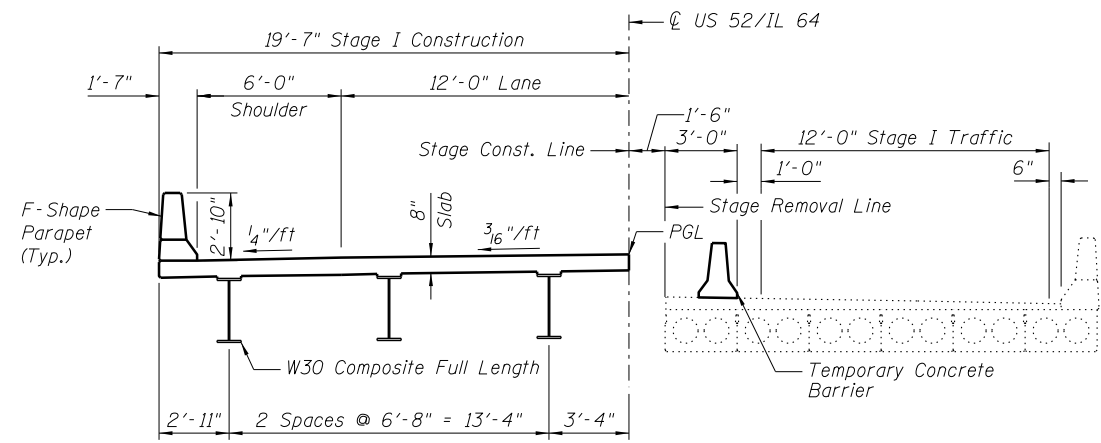
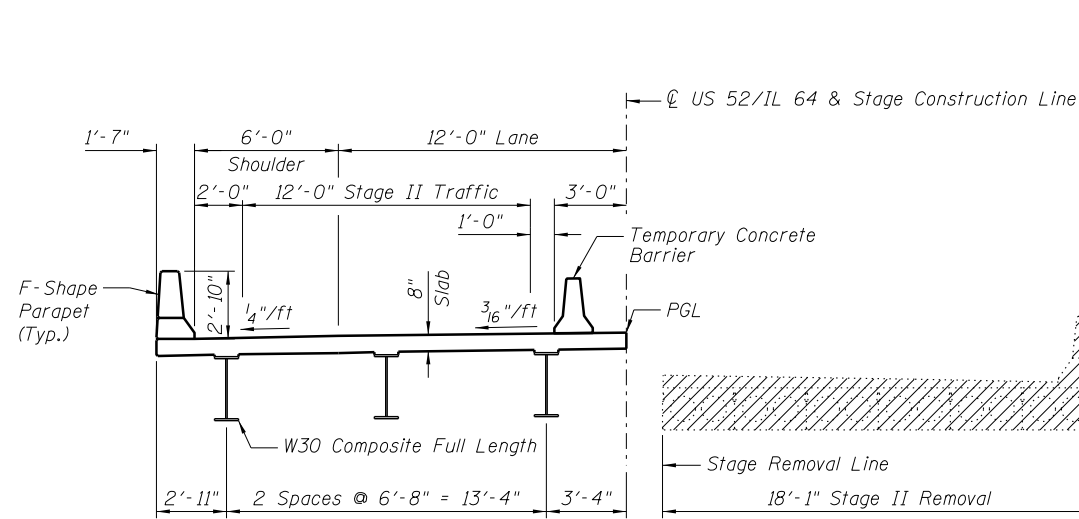


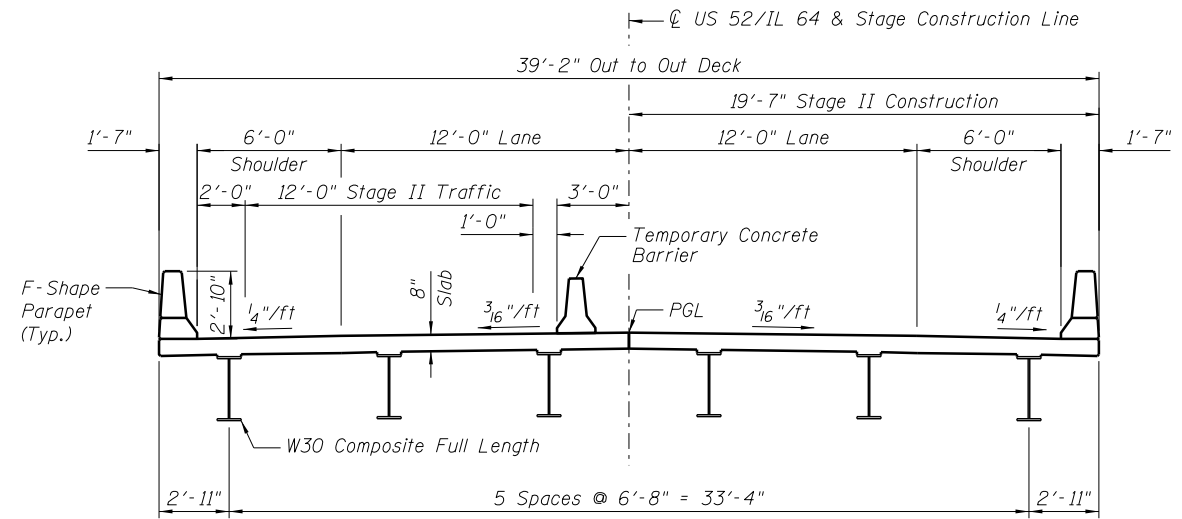
STAGE I REMOVAL
(Looking East)



STAGE I CONSTRUCTION
(Looking East)



STAGE II REMOVAL
(Looking East)



STAGE II CONSTRUCTION
(Looking East)

Notes:

For quantity of Temporary Concrete Barrier, see roadway plans.

Hatched areas indicate Removal of Existing Structures.

For details of Temporary Concrete Barrier, see Sheet SA-4 of SA-24.

FILE NAME = ...E4DB3-SN0080049-003-StageCon.dgn



Zroka Engineering, P.C.
4216 North Hermitage
Chicago, IL 60613

USER NAME = SAW	DESIGNED - JLA	REVISED -
PLOT SCALE = 0:2.0000 '1' / in.	CHECKED - DAZ	REVISED -
PLOT DATE = 6/26/2013	DRAWN - SAW	REVISED -
	CHECKED - JLA	REVISED -

**STATE OF ILLINOIS
DEPARTMENT OF TRANSPORTATION**

**STAGE CONSTRUCTION DETAILS
S.N. 008-0049**

SHEET NO. SA-3 OF SA-24 SHEETS

F.A.P. RTE.	SECTION	COUNTY	TOTAL SHEETS	SHEET NO.
17	4BR-5	CARROLL	150	42
CONTRACT NO. 64D83				

ILLINOIS FED. AID PROJECT