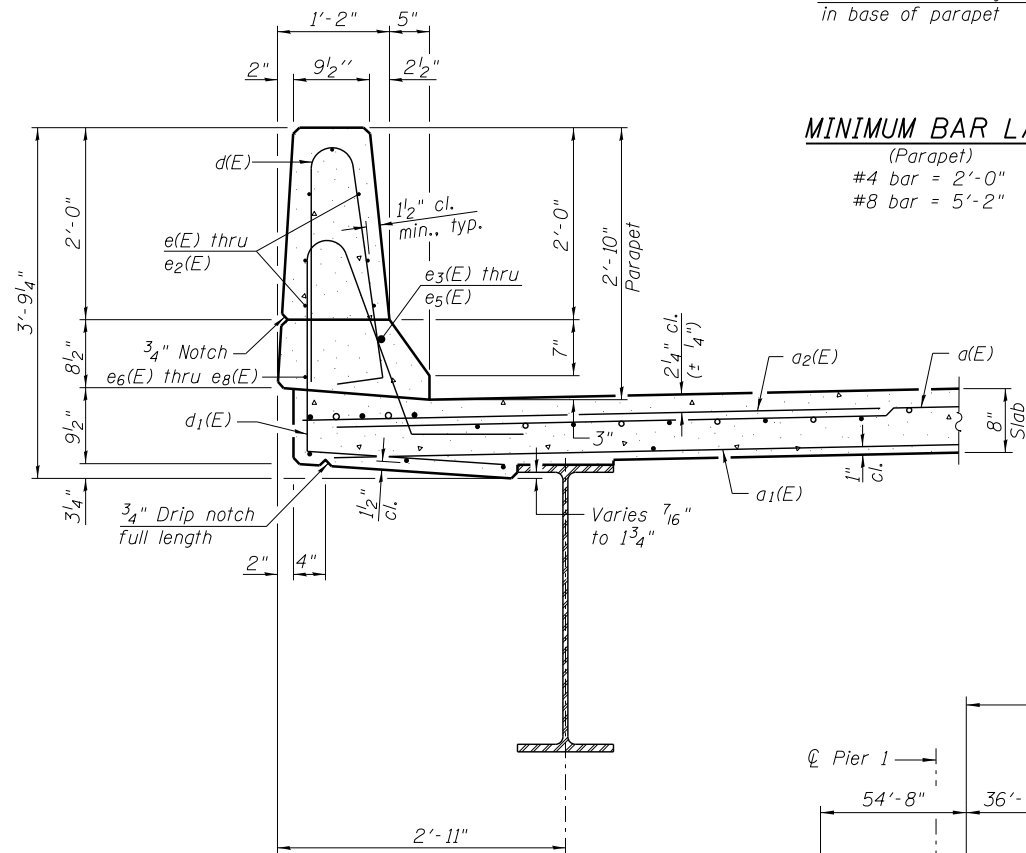
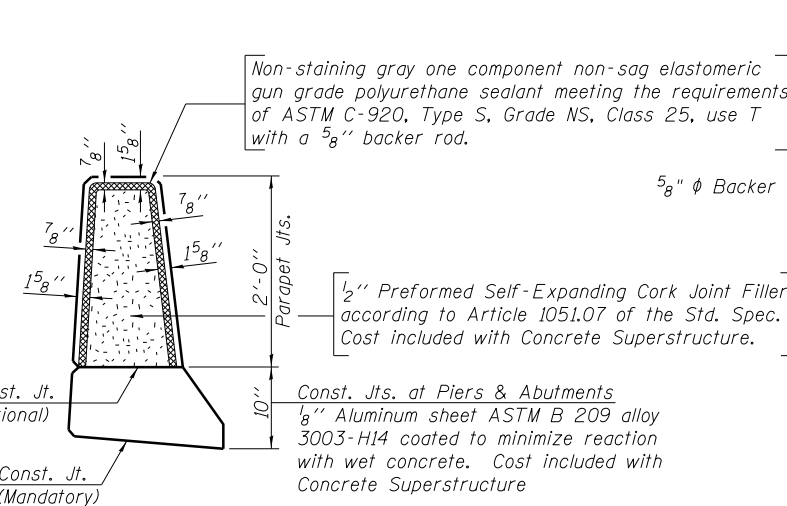


INSIDE ELEVATION OF PARAPET

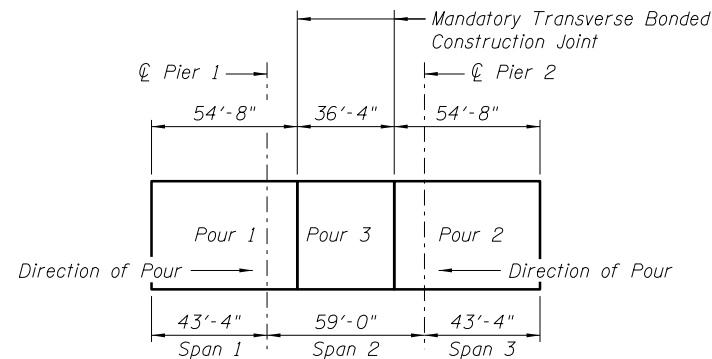


SECTION THRU PARAPET

**MINIMUM BAR LAP**  
(Parapet)  
#4 bar = 2'-0"  
#8 bar = 5'-2"



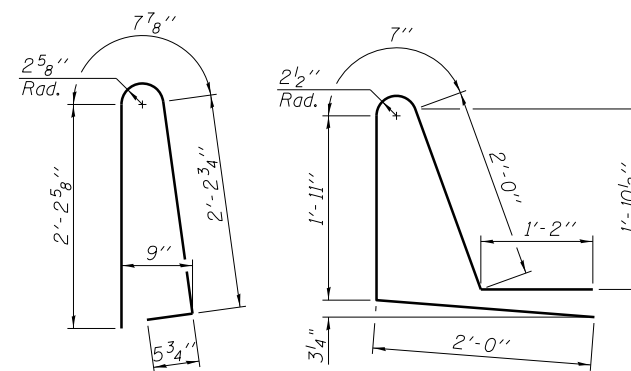
PARAPET JOINT DETAILS



DECK POURING SEQUENCE

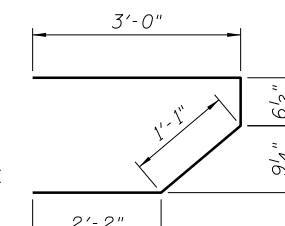
When the deck pour is stopped for the day at one or more of the transverse bonded construction joints in the deck pouring sequence as shown, the next pour shall not be made until both of the following are met:

1. At least 72 hours shall have elapsed from the end of the previous pour.
2. The concrete strength shall have attained a minimum flexural strength of 650 psi or a minimum compressive strength of 3500 psi.

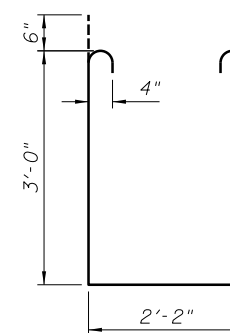


BAR d(E)

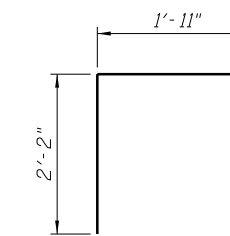
BAR d1(E)



BAR s(E)



BAR s1(E)



BAR v(E)

**SUPERSTRUCTURE**  
**BILL OF MATERIAL**

Bar	No.	Size	Length	Shape
a(E)	584	#5	19'-1"	—
a1(E)	352	#5	18'-9"	—
a2(E)	584	#6	6'-6"	—
b(E)	252	#5	27'-0"	—
b1(E)	76	#6	28'-8"	—
b2(E)	252	#5	23'-7"	—
d(E)	320	#5	5'-7"	⌋
d1(E)	320	#5	7'-8"	⌋
e(E)	56	#4	17'-8"	—
e1(E)	56	#4	7'-0"	—
e2(E)	42	#4	14'-6"	—
e3(E)	8	#8	20'-5"	—
e4(E)	8	#8	7'-0"	—
e5(E)	4	#8	24'-7"	—
e6(E)	8	#4	18'-10"	—
e7(E)	8	#4	7'-0"	—
e8(E)	4	#4	23'-0"	—
m(E)	20	#6	19'-3"	—
m1(E)	24	#6	8'-8"	—
m2(E)	8	#6	6'-4"	—
m3(E)	4	#6	2'-8"	—
m4(E)	4	#6	3'-1"	—
s(E)	84	#5	6'-10"	⌋
s1(E)	84	#4	9'-2"	⌋
v(E)	80	#5	4'-1"	⌋
Reinforcement Bars, Epoxy Coated		Pound		50,030
Concrete Superstructure		Cu. Yd.		209.5

Bars indicated thus: 1x2-#8 etc. indicates 1 line of bars with 2 lengths per line.

FILE NAME = ...E4083-SN0080049-011-SupDet.dgn



Zroka Engineering, P.C.  
4216 North Hermitage  
Chicago, IL 60613

USER NAME = SAW	DESIGNED - JLA	REVISED -
PLOT SCALE = 0:2.0000 '1' / in.	CHECKED - DAZ	REVISED -
PLOT DATE = 6/26/2013	DRAWN - SAW	REVISED -
	CHECKED - JLA	REVISED -

STATE OF ILLINOIS  
DEPARTMENT OF TRANSPORTATION

SUPERSTRUCTURE DETAILS  
S.N. 008-0049

SHEET NO. SA-11 OF SA-24 SHEETS

F.A.P. RTE.	SECTION	COUNTY	TOTAL SHEETS	SHEET NO.
17	4BR-5	CARROLL	150	50
CONTRACT NO. 64D83				

ILLINOIS FED. AID PROJECT