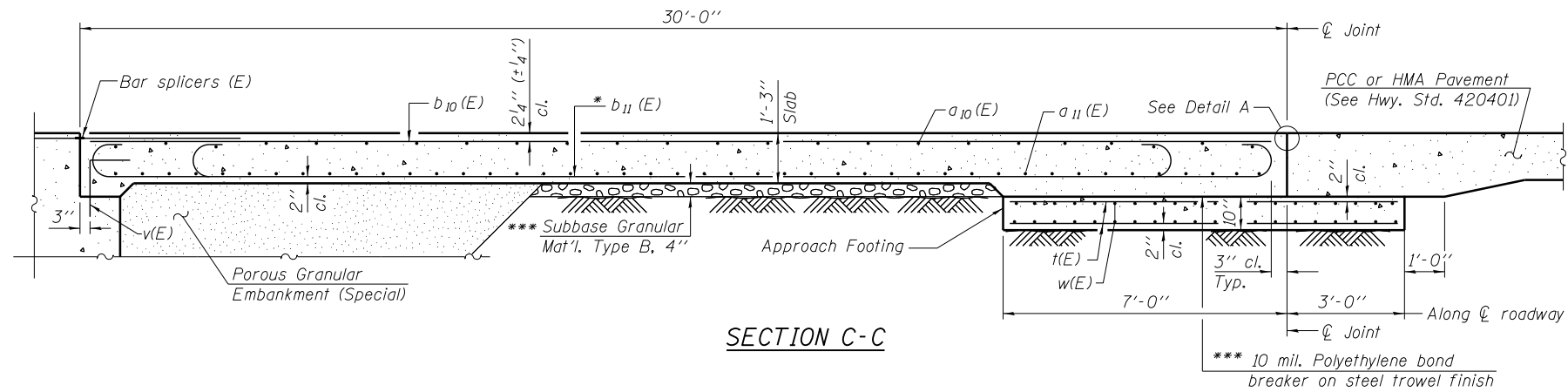
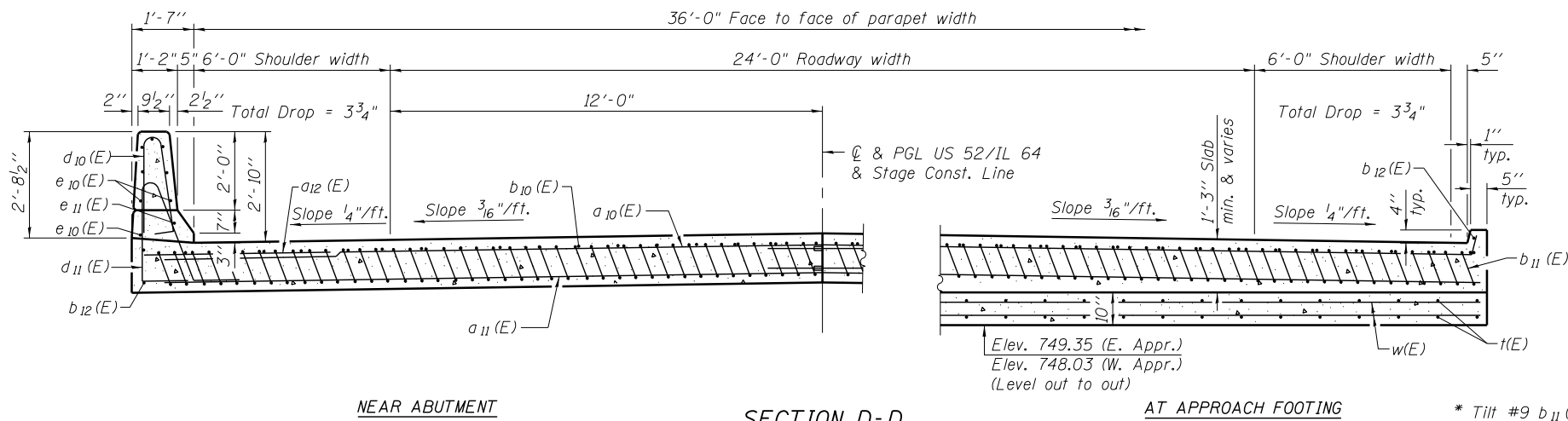


Notes:

See sheet SA-13 of SA-24 for Detail A and View B-B.  
 Approach slab and parapet concrete shall be paid for as Concrete Superstructure.  
 Approach footing concrete shall be paid for as Concrete Structures.  
 Reinforcement shall be paid for as Reinforcement Bars, Epoxy Coated.  
 For v(E) bar details, see sheet SA-11 of SA-24.  
 The approach footing maximum applied service bearing pressure (Qmax) = 2.0 ksf.  
 For bar splicer details, see sheet SA-22 of SA-24.  
 Cost of excavation for approach footing included with Concrete Structures.  
 For Porous Granular Embankment (Special) and drainage treatment details, see sheet SA-2 of SA-24.  
 For additional parapet details, see sheet SA-11 of SA-24.



SECTION C-C



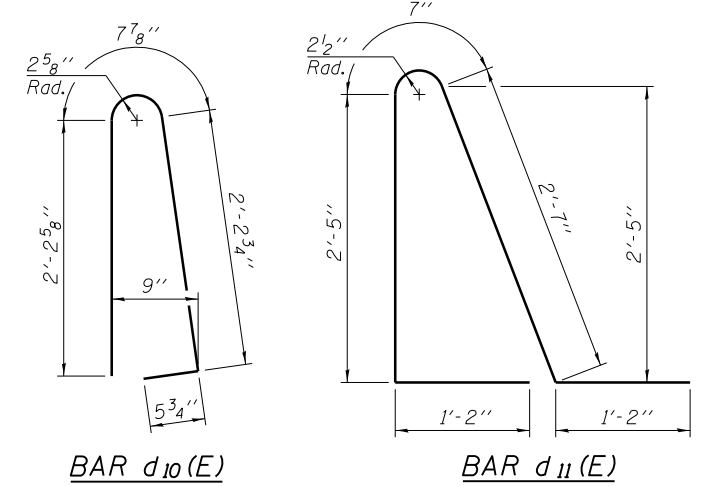
NEAR ABUTMENT

SECTION D-D

(See Plan for dimensions not shown)

AT APPROACH FOOTING

\* Tilt #9 b<sub>11</sub>(E) bars as required to maintain clearance.  
 \*\*\* Cost included with Concrete Superstructure.

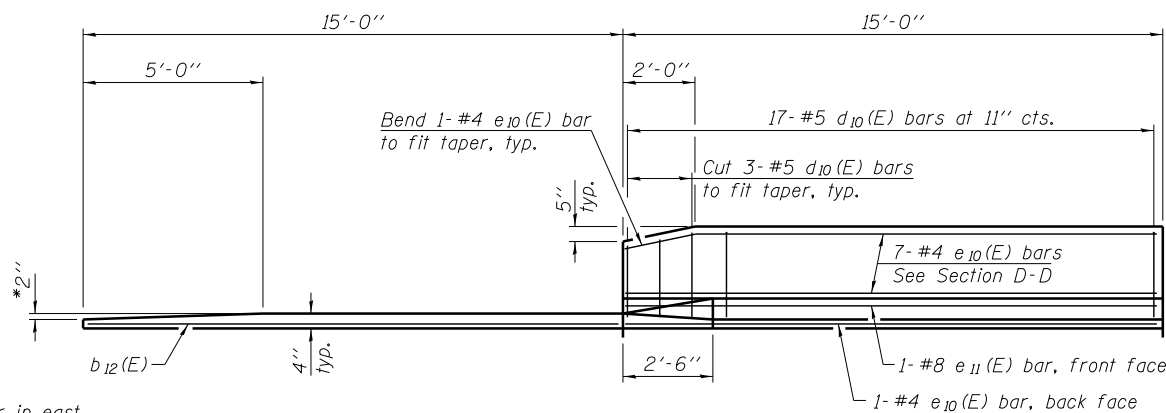


BAR d<sub>10</sub>(E)

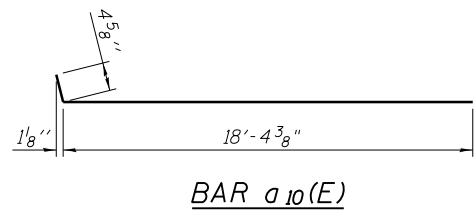
BAR d<sub>11</sub>(E)

TWO APPROACHES  
 BILL OF MATERIAL

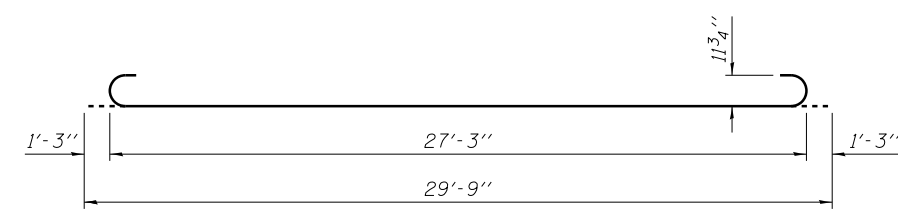
Bar	No.	Size	Length	Shape
a <sub>10</sub> (E)	100	#4	18'-9"	—
a <sub>11</sub> (E)	184	#5	18'-7"	—
a <sub>12</sub> (E)	48	#6	6'-6"	—
b <sub>10</sub> (E)	64	#4	29'-8"	—
b <sub>11</sub> (E)	180	#9	29'-9"	—
b <sub>12</sub> (E)	8	#4	14'-8"	—
d <sub>10</sub> (E)	68	#5	5'-7"	U
d <sub>11</sub> (E)	68	#5	7'-11"	U
e <sub>10</sub> (E)	32	#4	14'-8"	—
e <sub>11</sub> (E)	4	#8	14'-8"	—
t(E)	160	#4	9'-8"	—
w(E)	160	#5	18'-7"	—
Concrete Superstructure	Cu. Yd.		121.3	
Concrete Structures	Cu. Yd.		23.4	
Reinforcement Bars, Epoxy Coated	Pound		30,400	



VIEW E-E



BAR a<sub>10</sub>(E)



BAR b<sub>11</sub>(E)

\*Provide 2" taper in east approach slab only.

(Sheet 2 of 2)

BA-0 1-27-12



USER NAME = SAW  
 PLOT SCALE = 0:2.0000 '1' / in.  
 PLOT DATE = 6/26/2013

DESIGNED - JLA  
 CHECKED - DAZ  
 DRAWN - SAW  
 CHECKED - JLA

STATE OF ILLINOIS  
 DEPARTMENT OF TRANSPORTATION

BRIDGE APPROACH SLAB DETAILS 2  
 S.N. 008-0049

SHEET NO. SA-14 OF SA-24 SHEETS

F.A.P. RTE.	SECTION	COUNTY	TOTAL SHEETS	SHEET NO.
17	4BR-5	CARROLL	150	53
				CONTRACT NO. 64D83
ILLINOIS FED. AID PROJECT				

FILE NAME = ...E4DB3-SN0080049-014-Appr-Slab2.dgn