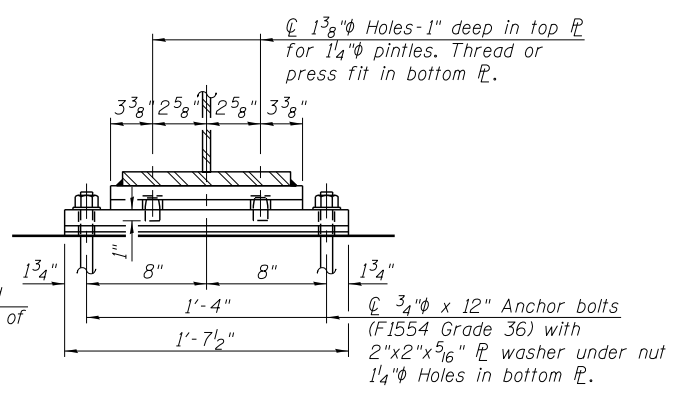
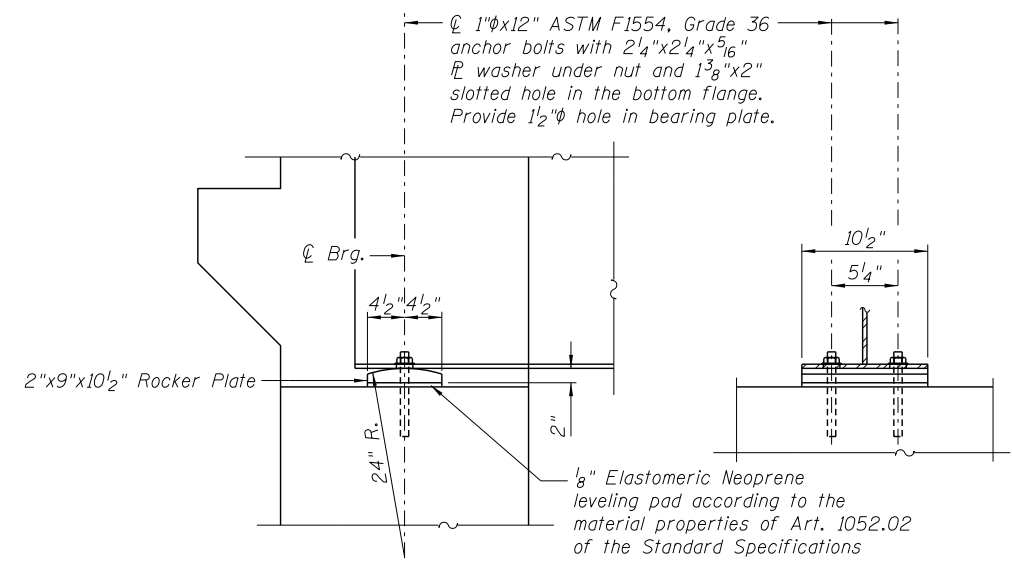


**ELEVATION AT PIER**

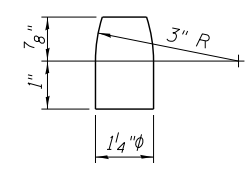
**PIER BEARING DETAILS**



**SECTION B-B**



**ABUTMENT BEARING DETAILS**



**PINTLE**

**Notes:**  
 Anchor bolts shall be ASTM F1554 all-thread (or an Engineer-approved alternate material) of the grade(s) and diameter(s) specified. The corresponding specified grade of AASHTO M314 anchor bolts may be used in lieu of ASTM F1554.  
 Anchor bolts at fixed bearings may be either cast in place or installed in holes drilled after the supported member is in place.  
 Drilled and set anchor bolts shall be installed according to Article 521.06 of the Standard Specifications.  
 Two 3/8 in. adjusting shims shall be provided for each bearing in addition to all other plates or shims and placed as shown on bearing details.  
 All plates and pintles shall conform to the requirements of AASHTO M 270 Grade 50W.

**BILL OF MATERIAL**

Item	Unit	Total
Anchor Bolts, 3/4"	Each	24
Anchor Bolts, 1"	Each	24

FILE NAME = ...E4083-SN0080049-017-BrgDetails.dgn



USER NAME = SAW	DESIGNED - JLA	REVISED -
	CHECKED - DAZ	REVISED -
PLOT SCALE = 0:2.0000 '1' / in.	DRAWN - SAW	REVISED -
PLOT DATE = 6/26/2013	CHECKED - JLA	REVISED -

**STATE OF ILLINOIS  
 DEPARTMENT OF TRANSPORTATION**

**BEARING DETAILS  
 S.N. 008-0049**

SHEET NO. SA-17 OF SA-24 SHEETS

F.A.P. RTE.	SECTION	COUNTY	TOTAL SHEETS	SHEET NO.
17	4BR-5	CARROLL	150	56
CONTRACT NO. 64D83				
ILLINOIS FED. AID PROJECT				