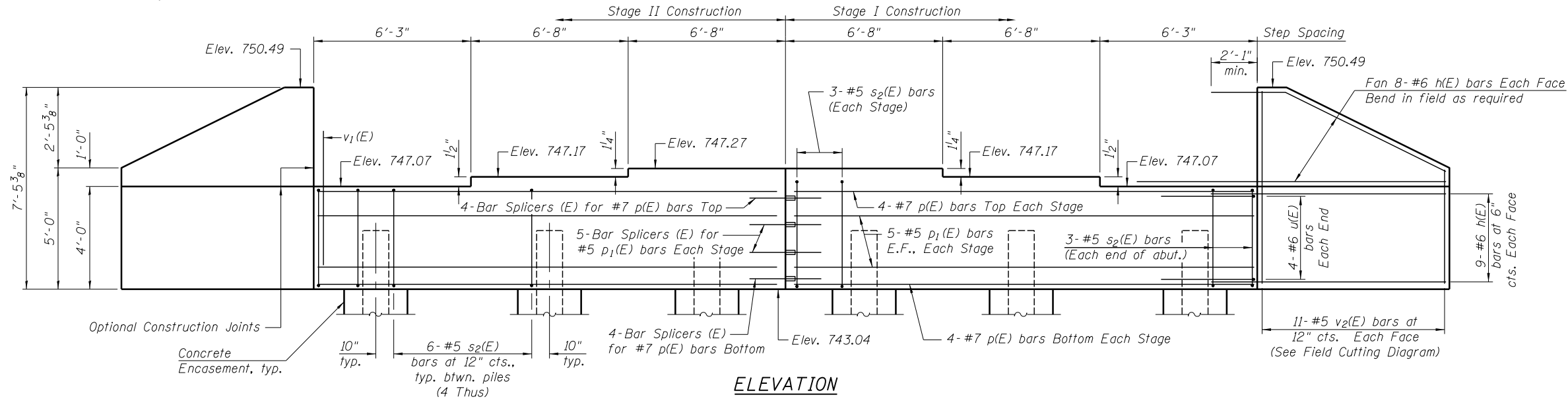
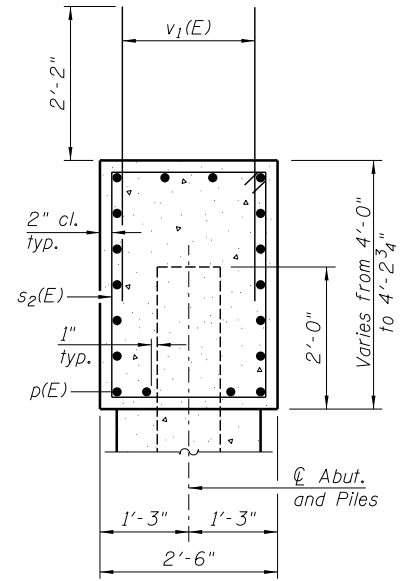


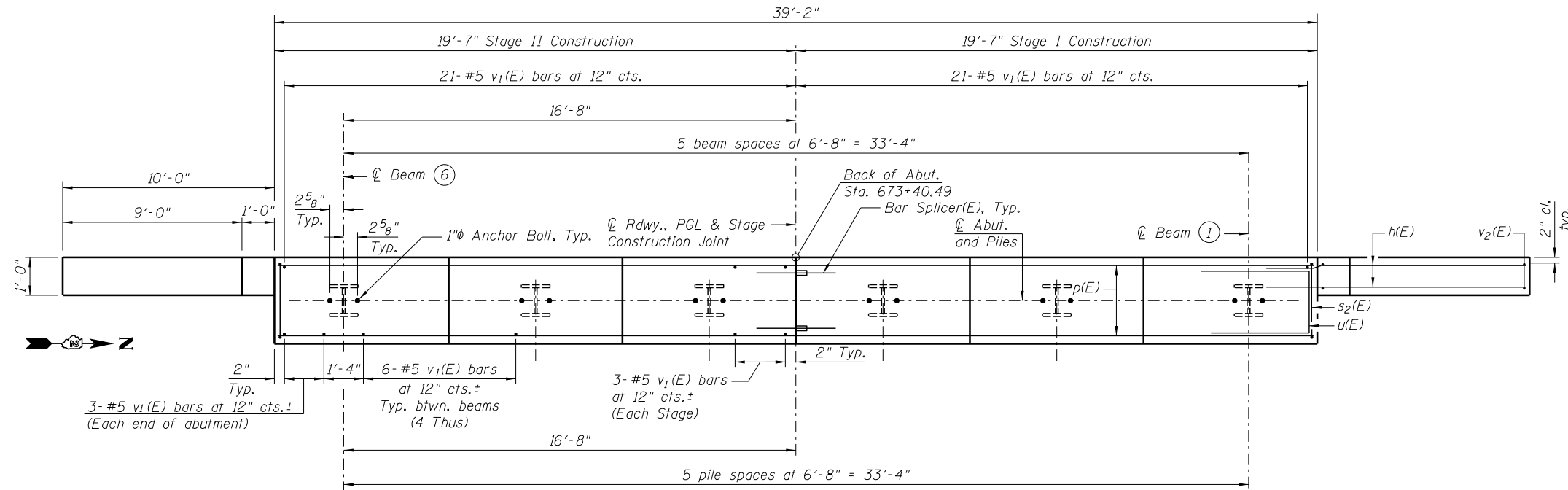
Notes:  
Pour steps monolithically with cap.



ELEVATION



SEC. THRU ABUT.



PLAN

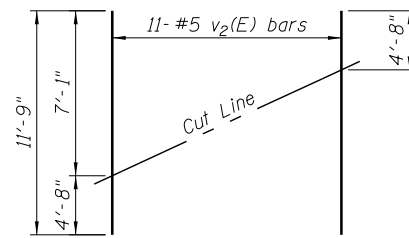
BILL OF MATERIAL

Bar	No.	Size	Length	Shape
h(E)	68	#6	12'-0"	—
p(E)	16	#7	19'-3"	—
p1(E)	20	#5	19'-3"	—
s2(E)	36	#5	12'-7"	□
u(E)	8	#6	10'-11"	□
v1(E)	78	#5	4'-4"	—
v2(E)	22	#5	11'-9"	—
Structure Excavation		Cu. Yd.	129	
Concrete Structures		Cu. Yd.	19.6	
Reinforcement Bars, Epoxy Coated		Pound	3,480	
Furnishing Steel Piles, HP12x53		Foot	230	
Test Pile Steel, HP12x53		Each	1	
Driving Piles		Foot	230	
Concrete Encasement		Cu. Yd.	2.0	
Pile Shoes		Each	6	

For details of Bar Splicers, see sheet SA-22 of SA-24.  
For details of piles and Concrete Encasement, see sheet SA-23 of SA-24.  
Space reinforcement in cap to miss anchor bolts.

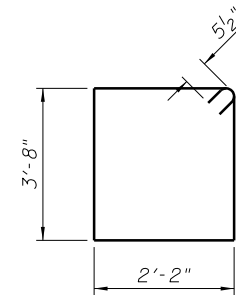
PILE DATA

Type: Steel HP12x53 with Pile Shoes  
Nominal Required Bearing: 419k  
Factored Resistance Available: 230k  
Est. Length: 46.0'  
No. Production Piles: 5  
No. Test Piles: 1

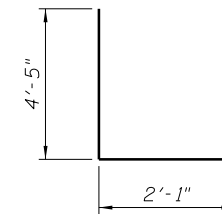


FIELD CUTTING DIAGRAM

Order v2(E) full length. Cut as shown and use remainder of bars in opposite face.



BAR s2(E)



BAR u(E)

FILE NAME = ...E4DB3-SN0080049-018-WestAbut.dgn



Zroka Engineering, P.C.  
4216 North Hermitage  
Chicago, IL 60613

USER NAME = SAW	DESIGNED - JLA	REVISED -
PLOT SCALE = 0:2.0000 '1' / in.	CHECKED - DAZ	REVISED -
PLOT DATE = 8/19/2013	DRAWN - SAW	REVISED -
	CHECKED - JLA	REVISED -

STATE OF ILLINOIS  
DEPARTMENT OF TRANSPORTATION

WEST ABUTMENT  
S.N. 008-0049

SHEET NO. SA-18 OF SA-24 SHEETS

F.A.P. RTE.	SECTION	COUNTY	TOTAL SHEETS	SHEET NO.
17	4BR-5	CARROLL	150	57
CONTRACT NO. 64D83				

ILLINOIS FED. AID PROJECT