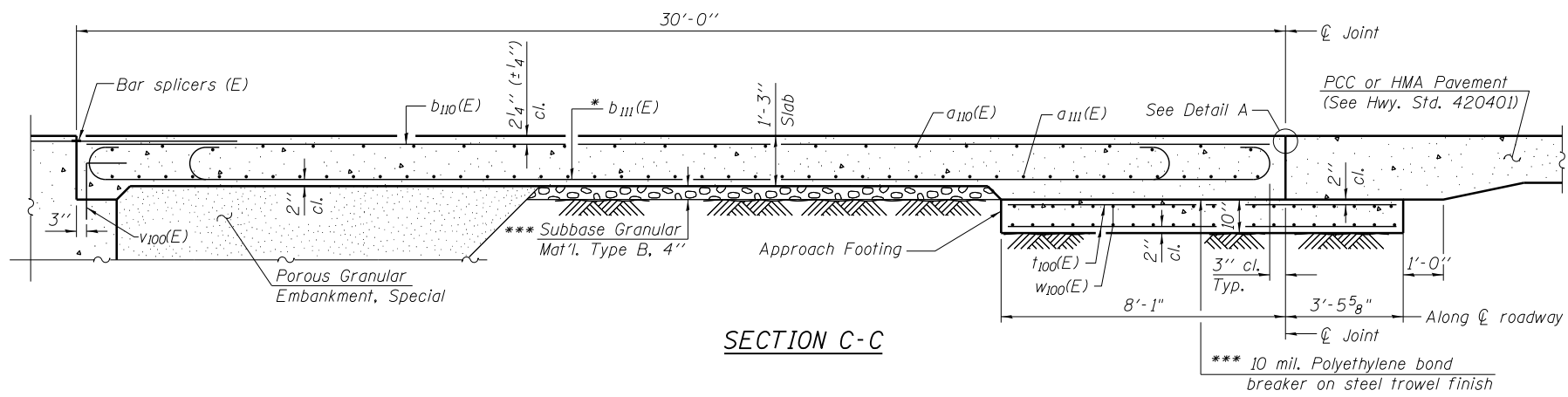
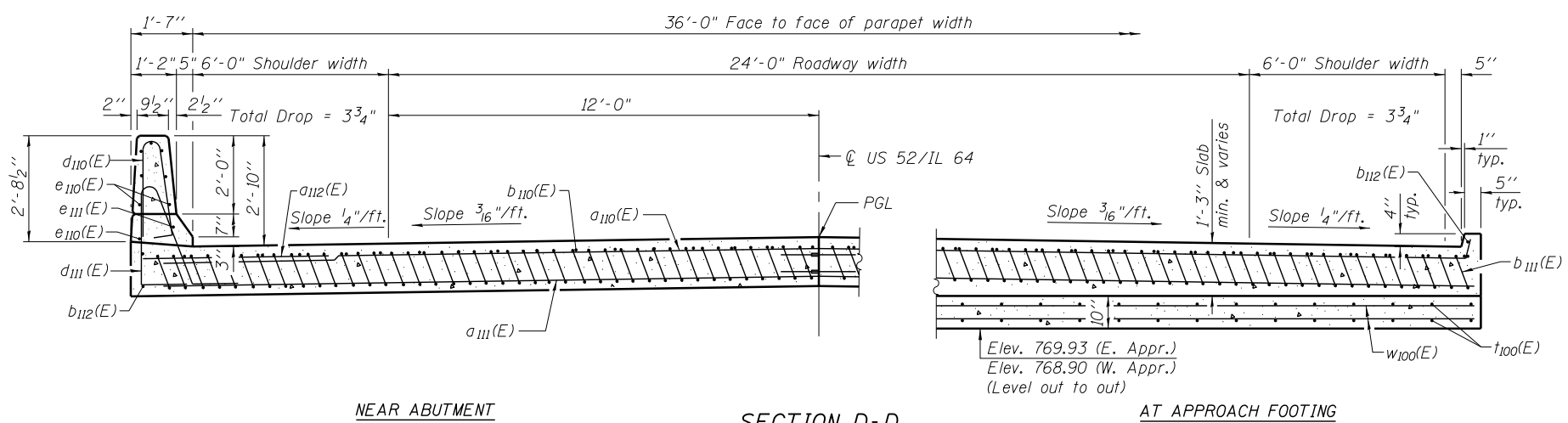


Notes:
 See sheet SB-13 of SB-24 for Detail A and View B-B.
 Approach slab and parapet concrete shall be paid for as Concrete Superstructure.
 Approach footing concrete shall be paid for as Concrete Structures.
 Reinforcement shall be paid for as Reinforcement Bars, Epoxy Coated.
 For $v_{100}(E)$ bar details, see sheet SB-11 of SB-24.
 The approach footing maximum applied service bearing pressure (Q_{max}) = 2.0 ksf.
 For bar splicer details, see sheet SB-22 of SB-24.
 Cost of excavation for approach footing included with Concrete Structures.
 For Porous Granular Embankment, Special and drainage treatment details, see sheet SB-2 of SB-24.
 For additional parapet details, see sheet SB-11 of SB-24.



SECTION C-C

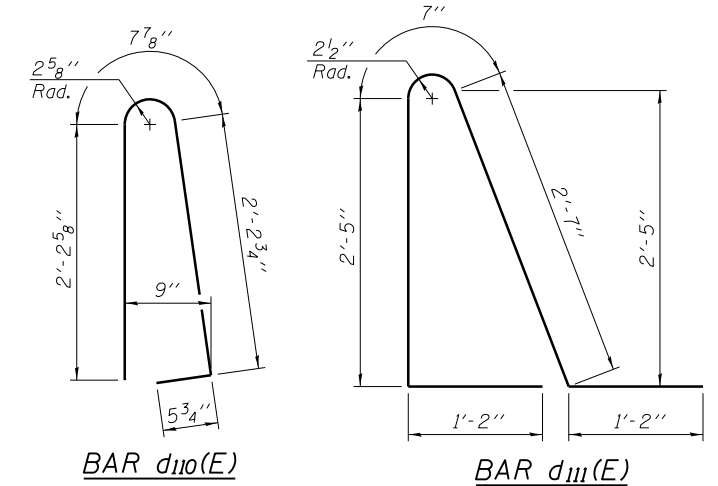


NEAR ABUTMENT

SECTION D-D

AT APPROACH FOOTING

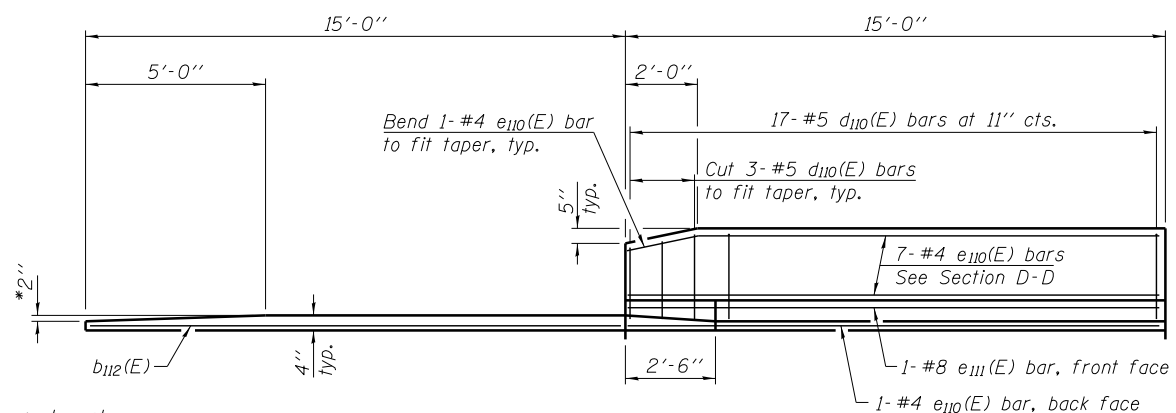
(See Plan for dimensions not shown)



BAR $d_{110}(E)$

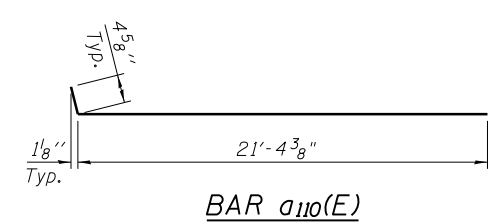
BAR $d_{111}(E)$

* Tilt #9 $b_{111}(E)$ bars as required to maintain clearance.
 *** Cost included with Concrete Superstructure.

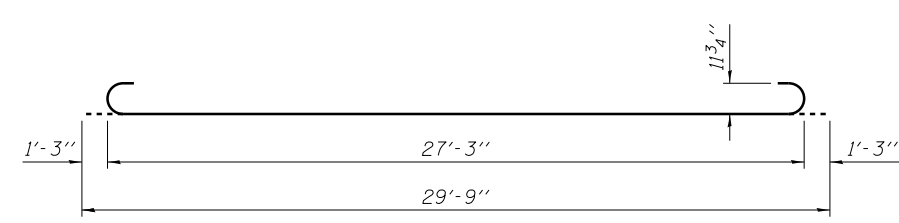


*Provide 2" taper at east approach slab only.

VIEW E-E



BAR $a_{110}(E)$



BAR $b_{111}(E)$

TWO APPROACHES
 BILL OF MATERIAL

Bar	No.	Size	Length	Shape
$a_{110}(E)$	100	#4	21'-9"	—
$a_{111}(E)$	184	#5	21'-7"	—
$a_{112}(E)$	48	#6	6'-6"	—
$b_{110}(E)$	60	#4	29'-8"	—
$b_{111}(E)$	180	#9	29'-9"	—
$b_{112}(E)$	8	#4	14'-8"	—
$d_{110}(E)$	68	#5	5'-7"	▲
$d_{111}(E)$	68	#5	7'-11"	▲
$e_{110}(E)$	32	#4	14'-8"	—
$e_{111}(E)$	4	#8	14'-8"	—
$t_{100}(E)$	160	#4	9'-8"	—
$w_{100}(E)$	160	#5	21'-6"	—
Concrete Superstructure		Cu. Yd.	122.2	
Concrete Structures		Cu. Yd.	27.0	
Reinforcement Bars, Epoxy Coated		Pound	31,600	

(Sheet 2 of 2)

FILE NAME = ...E4083-SN0080050-014-Appr-S1sb2.dgn



Zroka Engineering, P.C.
 4216 North Hermitage
 Chicago, IL 60613

USER NAME = SAW
 DESIGNED - JLA
 CHECKED - DAZ
 PLOT SCALE = 0:2.0000 '1' / in.
 PLOT DATE = 6/26/2013

DESIGNED - JLA
 CHECKED - JLA
 REVISIONS:
 REVISIONS:
 REVISIONS:
 REVISIONS:

STATE OF ILLINOIS
 DEPARTMENT OF TRANSPORTATION

BRIDGE APPROACH SLAB DETAILS 2
 S.N. 008-0050

SHEET NO. SB-14 OF SB-24 SHEETS

F.A.P. RTE. 17 SECTION 4BR-5 COUNTY CARROLL TOTAL SHEETS 150 SHEET NO. 77 CONTRACT NO. 64D83 ILLINOIS FED. AID PROJECT