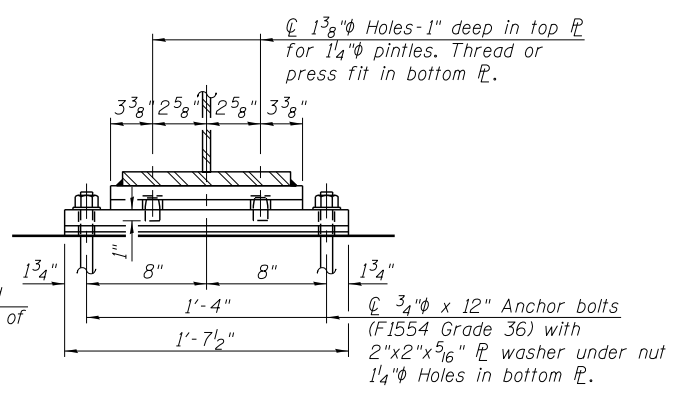
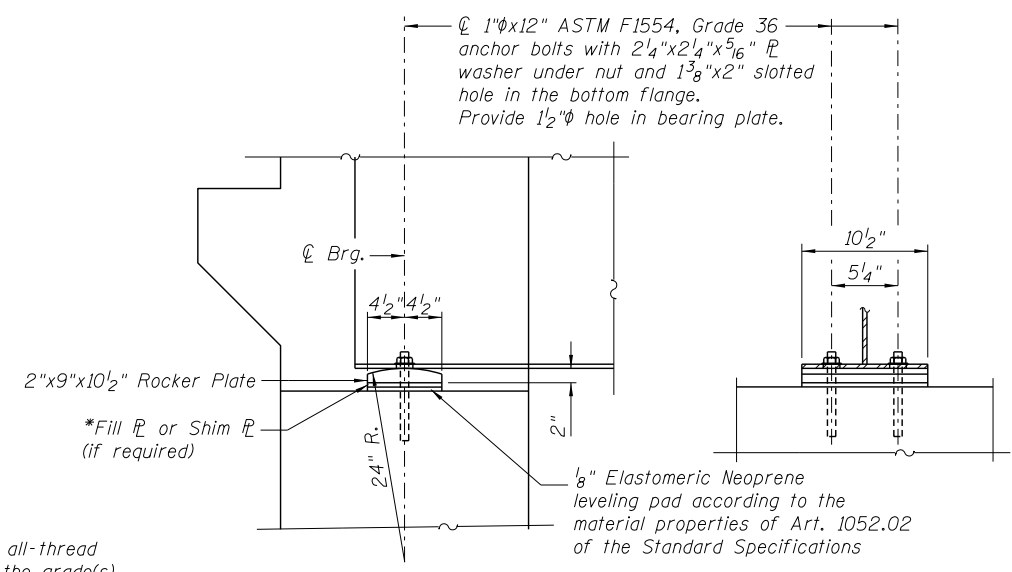


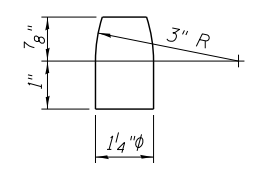
ELEVATION AT PIER



SECTION B-B



ABUTMENT BEARING DETAILS



PINTLE

***FILL PLATE THICKNESS TABLE**

Location	Beam	Thickness
West Abutment	4	1/4"
East Abutment	4	1/4"
Pier 1	4	1/4"
Pier 2	4	1/4"

Notes:
 Anchor bolts shall be ASTM F1554, Grade 36 all-thread (or an Engineer-approved alternate material) of the grade(s) and diameter(s) specified. The corresponding specified grade of AASHTO M314 anchor bolts may be used in lieu of ASTM F1554.
 Anchor bolts at fixed bearings may be either cast in place or installed in holes drilled after the supported member is in place.
 Drilled and set anchor bolts shall be installed according to Article 521.06 of the Standard Specifications.
 Load carrying components designated "NTR" shall conform to the Impact Testing Requirements, Zone 2.
 Two 1/8 in. adjusting shims shall be provided for each bearing in addition to all other plates or shims and placed as shown on bearing details.
 The structural steel plates and pintles shall conform to the requirements of AASHTO M 270 Grade 50W.

BILL OF MATERIAL

Item	Unit	Total
Anchor Bolts, 3/4"	Each	24
Anchor Bolts, 1"	Each	24

FILE NAME = ...E4DB3-SN0080050-017-BrgDetails.dgn