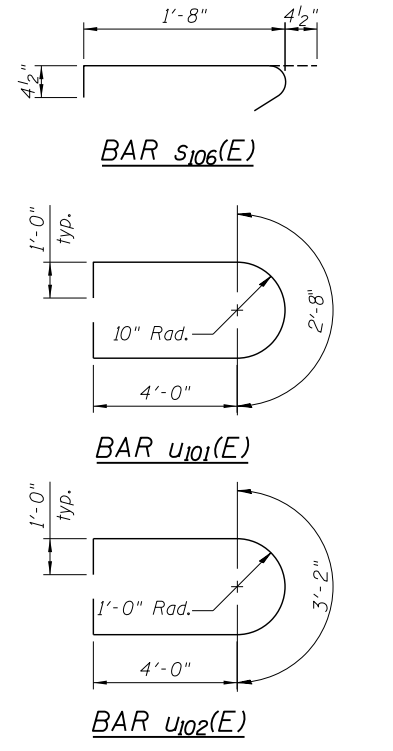
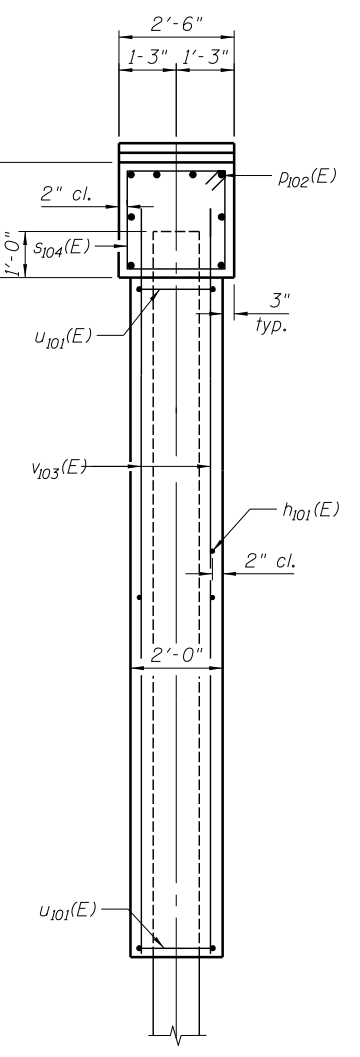
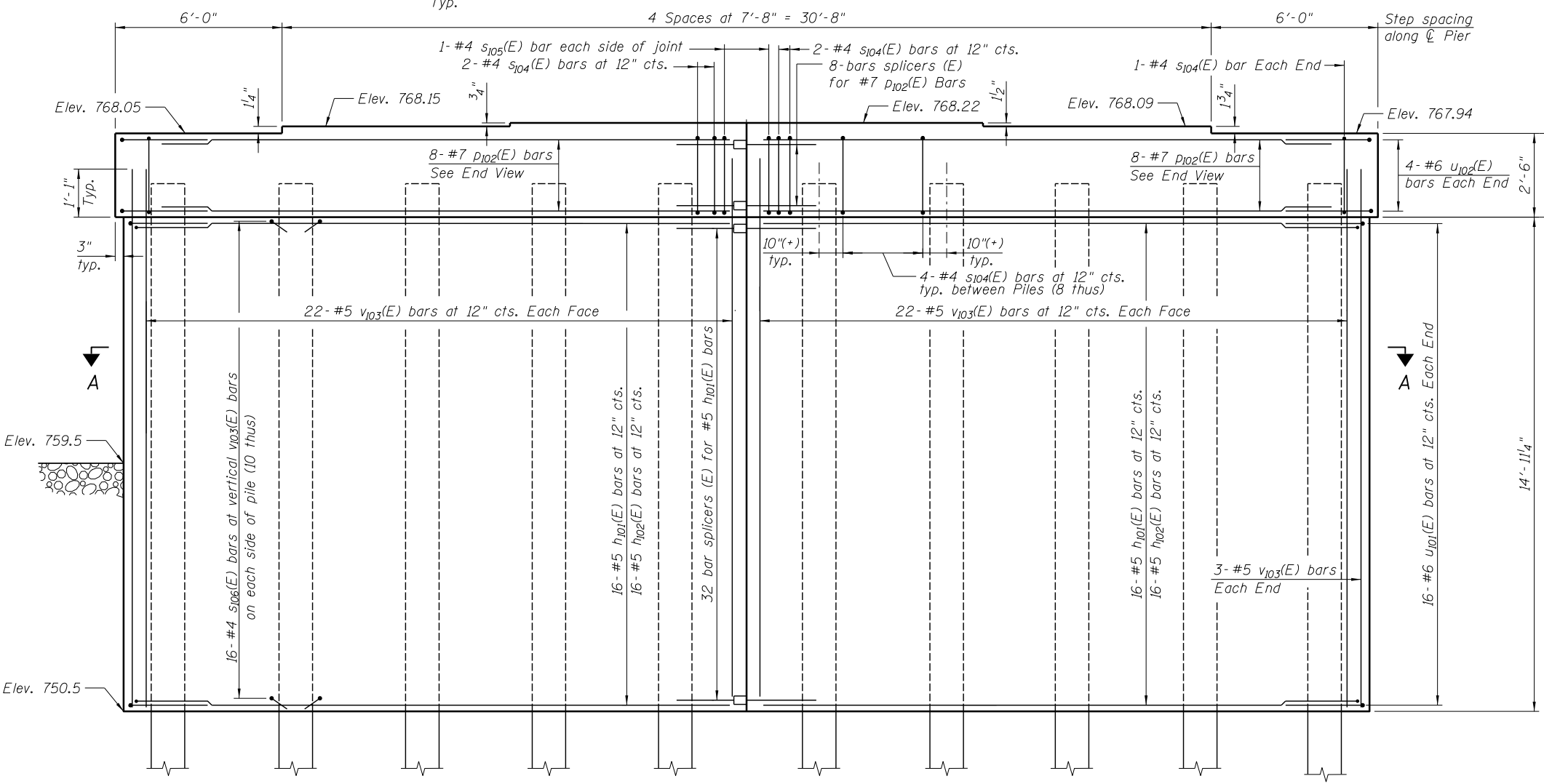
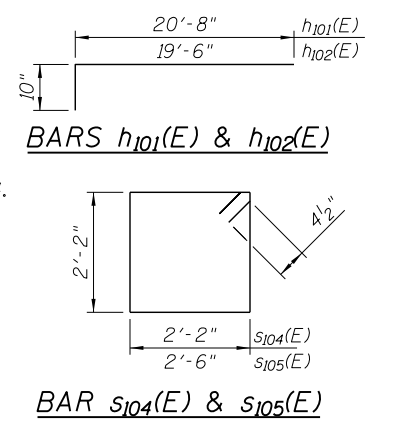


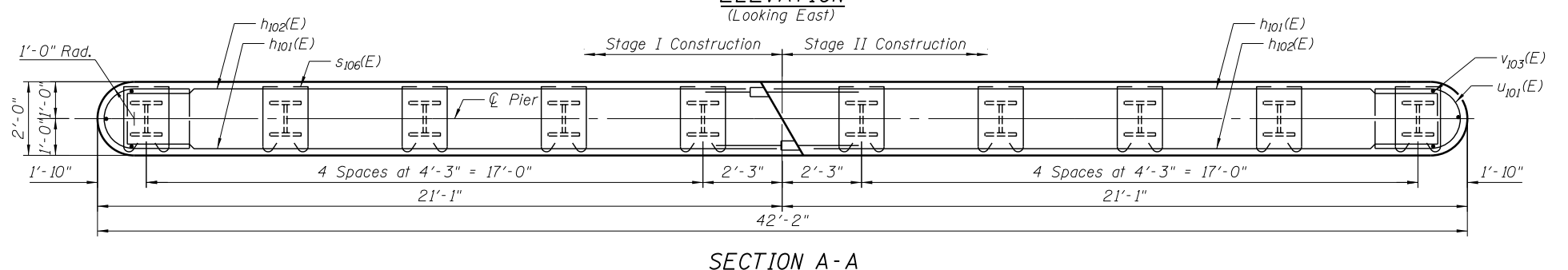
Notes:
 For Pile Details See Sheet SB-23 of SB-24.
 For Bar Splicer Details See Sheet SB-22 of SB-24.
 Cofferdam (Type 2) (Location 3) at Pier 1.



BILL OF MATERIAL

Bar	No.	Size	Length	Shape
$h_{101}(E)$	32	#5	21'-6"	┌
$h_{102}(E)$	32	#5	20'-4"	┌
$p_{102}(E)$	16	#7	18'-4"	—
$s_{104}(E)$	38	#4	9'-5"	□
$s_{105}(E)$	2	#4	10'-1"	□
$s_{106}(E)$	320	#4	2'-5"	┌
$u_{101}(E)$	32	#6	12'-8"	┌
$u_{102}(E)$	8	#6	13'-2"	┌
$v_{103}(E)$	94	#5	16'-0"	—
Cofferdam Excavation		Cu. Yd.	232	
Concrete Structures		Cu. Yd.	56.5	
Reinforcement Bars, Epoxy Coated		Pound	5,110	
Furnishing Steel		Foot	360	
Piles HP12x53		Foot	360	
Driving Piles		Foot	360	
Test Pile Steel		Each	1	
Piles HP12x53		Each	10	
Pile Shoes		Each	10	
Cofferdam (Type 2) (Location 3)		Each	1	

PILE DATA
 Type: HP12x53 with Pile Shoes
 Nominal Required Bearing: 419 kips
 Factored Resistance Available: 230 kips
 Est. Length: 40'
 No. Production Piles: 9
 No. Test Piles: 1



FILE NAME = ...64083-SN0080050-020-Pier-1.dgn



USER NAME = SAW	DESIGNED - LAS	REVISED -
PLOT SCALE = 0:2.0000 '1' / in.	CHECKED - JLA	REVISED -
PLOT DATE = 8/19/2013	DRAWN - SAW	REVISED -
	CHECKED - LAS	REVISED -

STATE OF ILLINOIS
DEPARTMENT OF TRANSPORTATION

PIER 1
S.N. 008-0050
 SHEET NO. SB-20 OF SB-24 SHEETS

F.A.P. RTE.	SECTION	COUNTY	TOTAL SHEETS	SHEET NO.
17	4BR-6	CARROLL	150	83
				CONTRACT NO. 64D83
ILLINOIS FED. AID PROJECT				