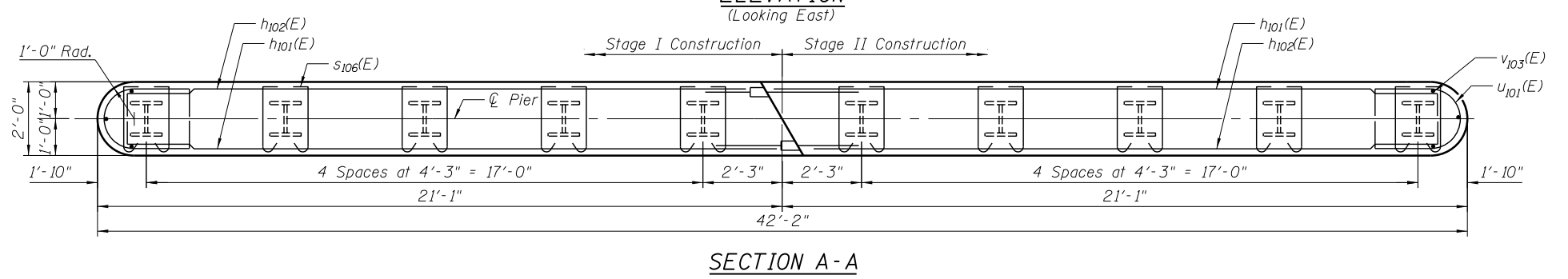
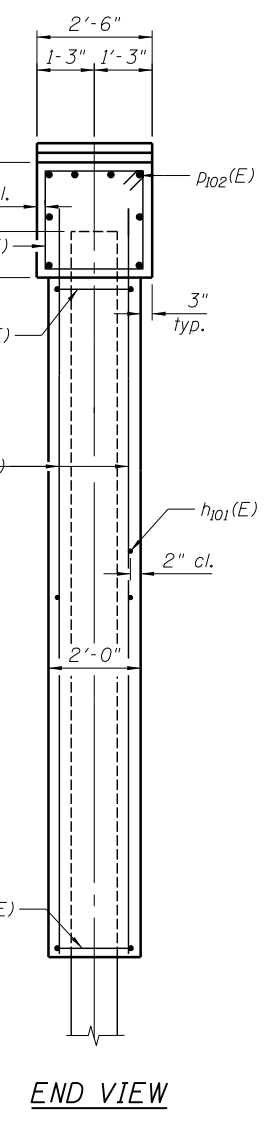
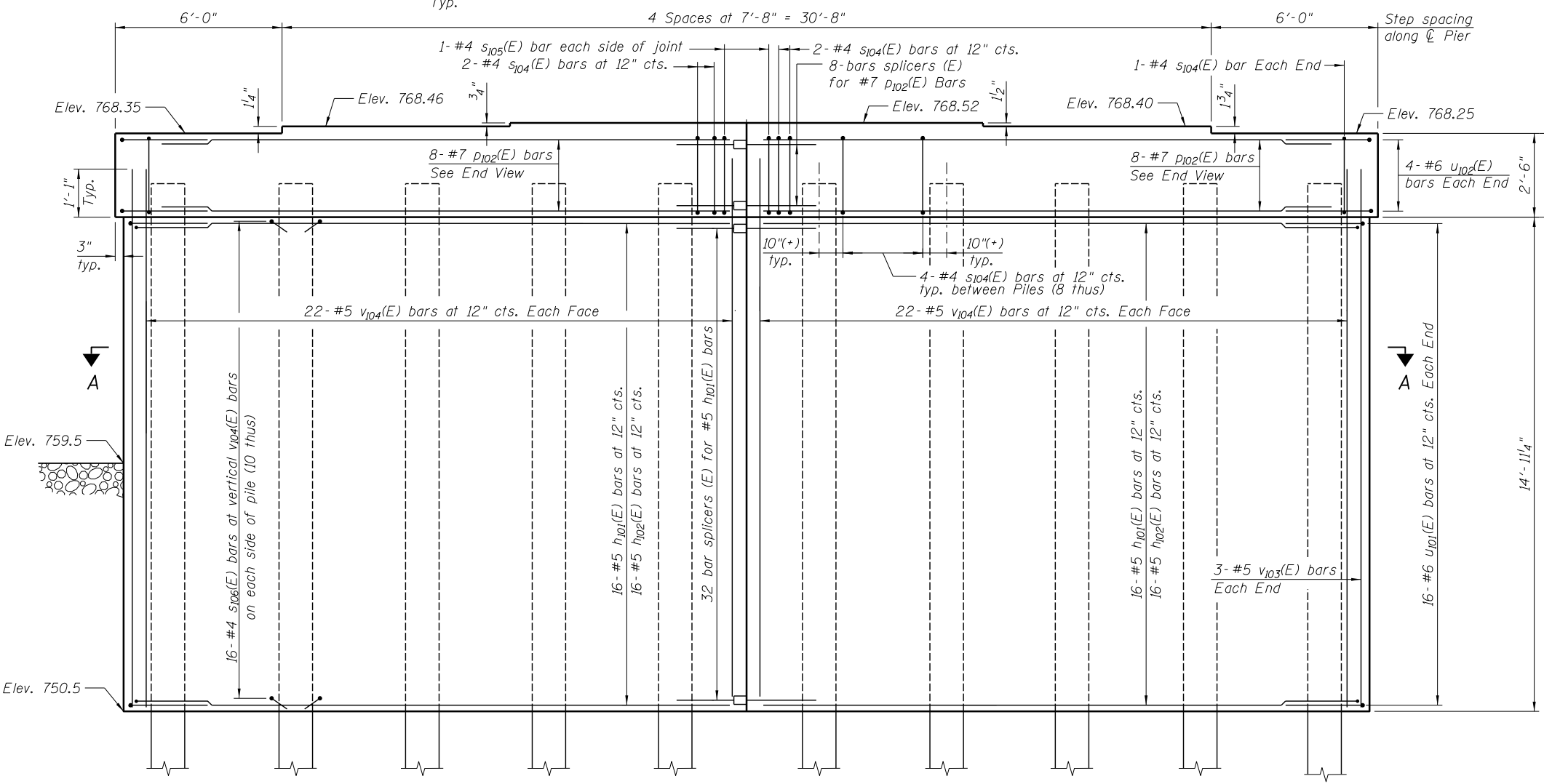
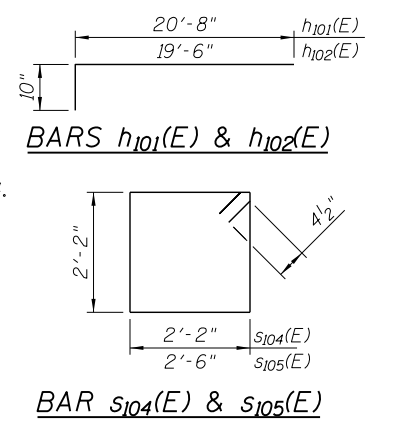


Notes:
 For Pile Details See Sheet SB-23 of SB-24.
 For Bar Splicer Details See Sheet SB-22 of SB-24.
 Cofferdam (Type 2) (Location 4) at Pier 2.



PILE DATA
 Type: HP12x53 with Pile Shoes
 Nominal Required Bearing: 419 kips
 Factored Resistance Available: 230 kips
 Est. Length: 40'
 No. Production Piles: 9
 No. Test Piles: 1

FILE NAME = ...64083-SN0080050-021-Per-2.dgn



USER NAME = SAW	DESIGNED - LAS	REVISED -
PLOT SCALE = 0:2.0000 '1' / in.	CHECKED - JLA	REVISED -
PLOT DATE = 8/19/2013	DRAWN - SAW	REVISED -
	CHECKED - LAS	REVISED -

STATE OF ILLINOIS
 DEPARTMENT OF TRANSPORTATION

PIER 2
 S.N. 008-0050
 SHEET NO. SB-21 OF SB-24 SHEETS

F.A.P. RTE.	SECTION	COUNTY	TOTAL SHEETS	SHEET NO.
17	4BR-6	CARROLL	150	84
				CONTRACT NO. 64D83
ILLINOIS FED. AID PROJECT				