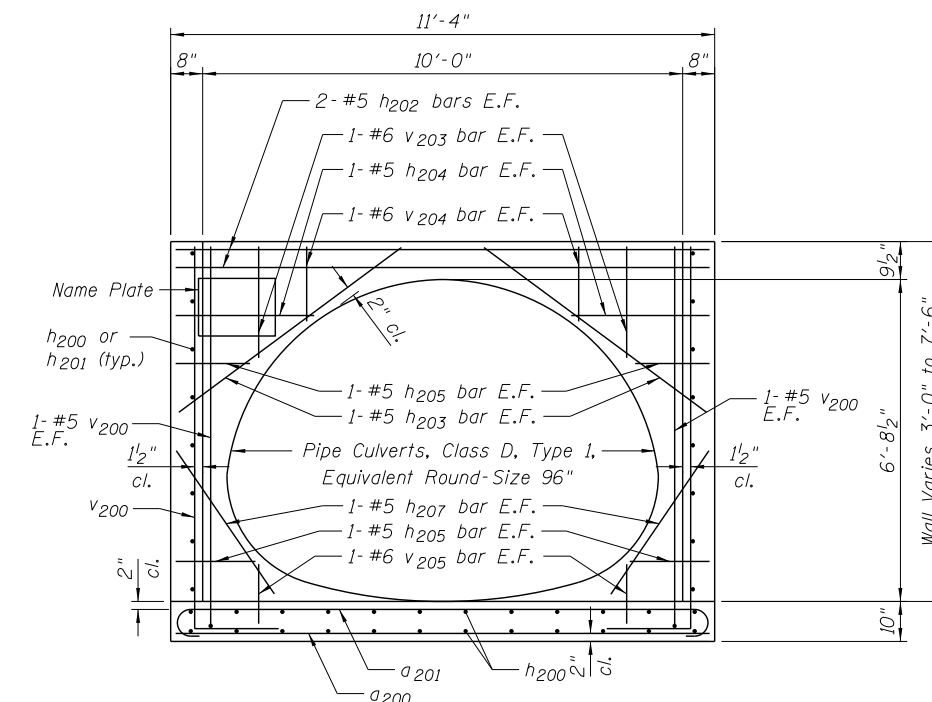
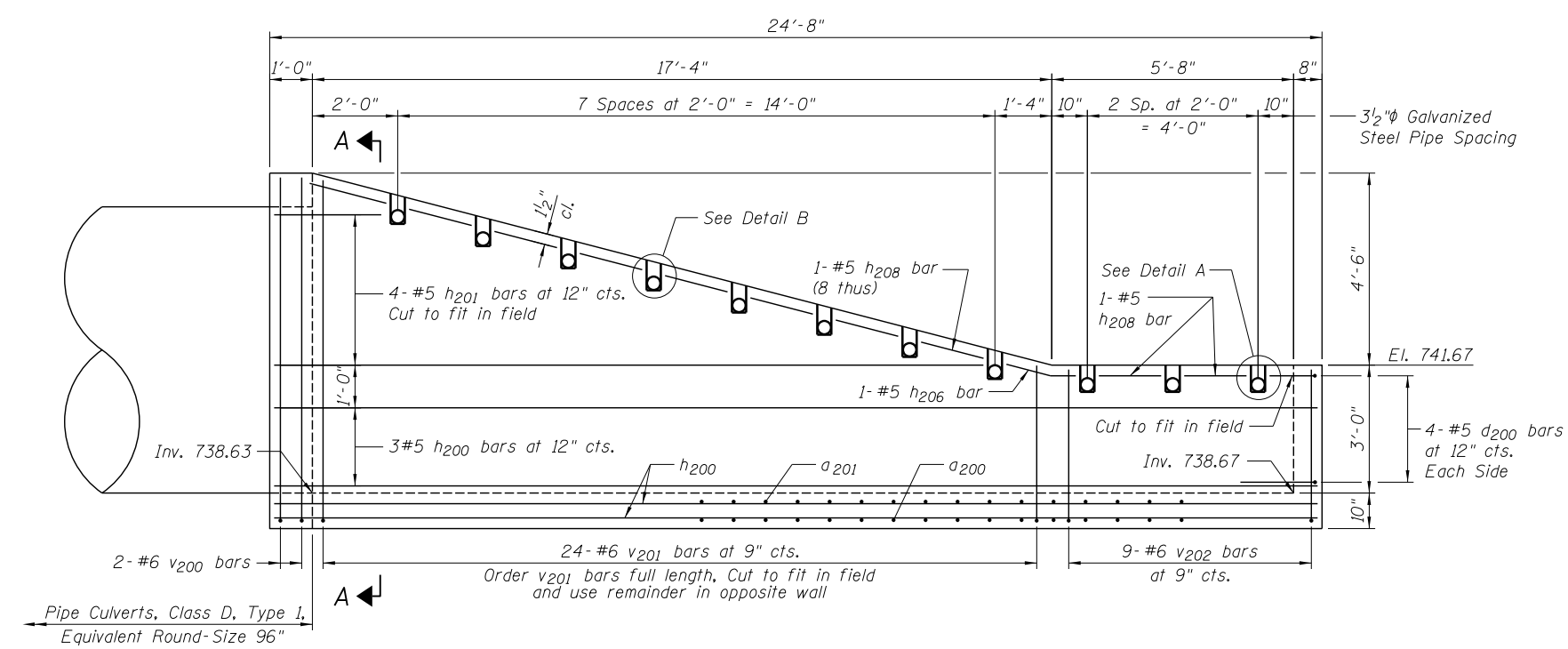


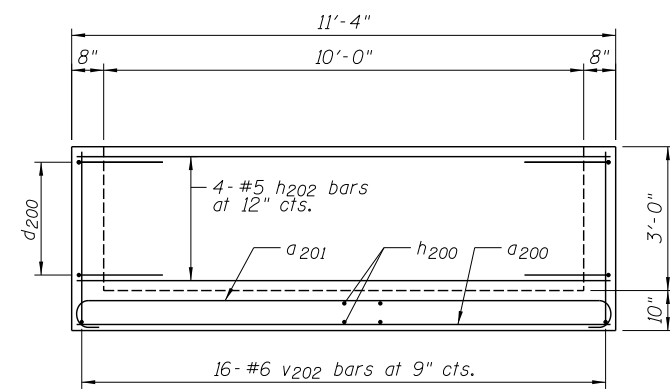
**PLAN**



**SECTION A-A**



**ELEVATION**



**END VIEW**

Note:  
See Sheet SC-4 for details  
and bar bends.

FILE NAME = ...E4DB3-SN0081106-003-Dr-opBox.dgn



Zroka Engineering, P.C.  
4216 North Hermitage  
Chicago, IL 60613

USER NAME = SAW	DESIGNED - JLA	REVISED -
PLOT SCALE = 4:0.0000 '1' / in.	CHECKED - DAZ	REVISED -
PLOT DATE = 6/26/2013	DRAWN - SAW	REVISED -
	CHECKED - JLA	REVISED -

**STATE OF ILLINOIS  
DEPARTMENT OF TRANSPORTATION**

**GRADED DROP BOX  
S.N. 008-1106**

SHEET NO. SC-3 OF SC-7 SHEETS

F.A.P. RTE. 17	SECTION 4BR-5	COUNTY CARROLL	TOTAL SHEETS 150	SHEET NO. 90
CONTRACT NO. 64DB3				
ILLINOIS FED. AID PROJECT				