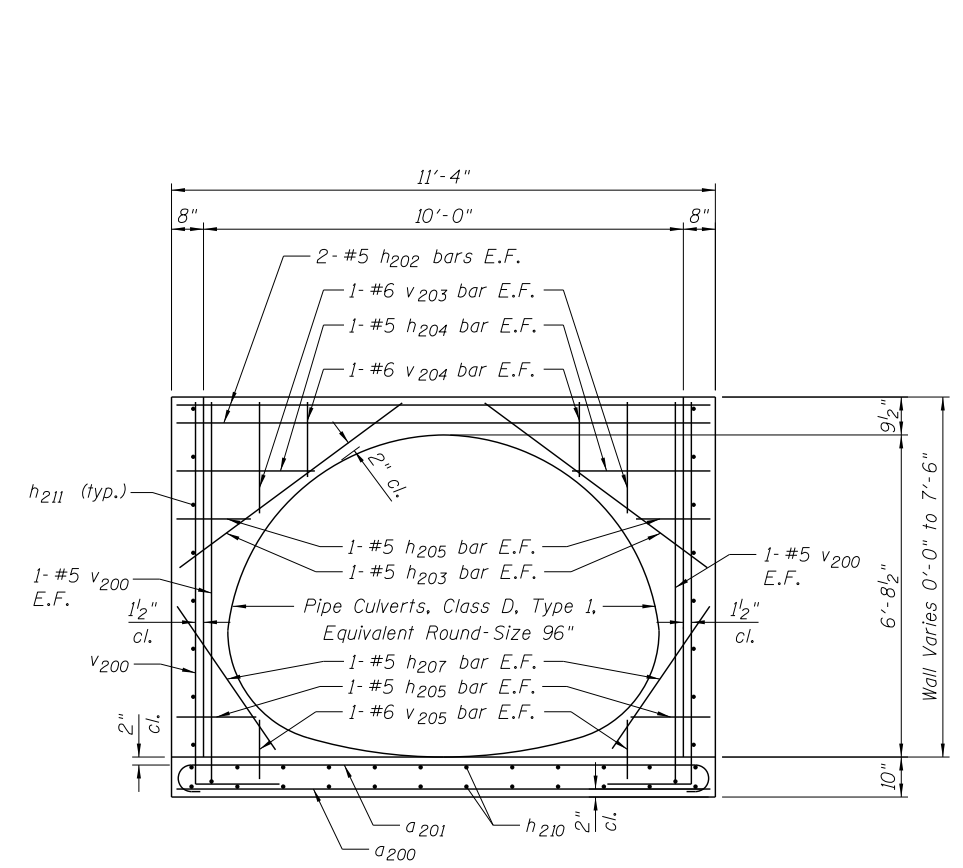
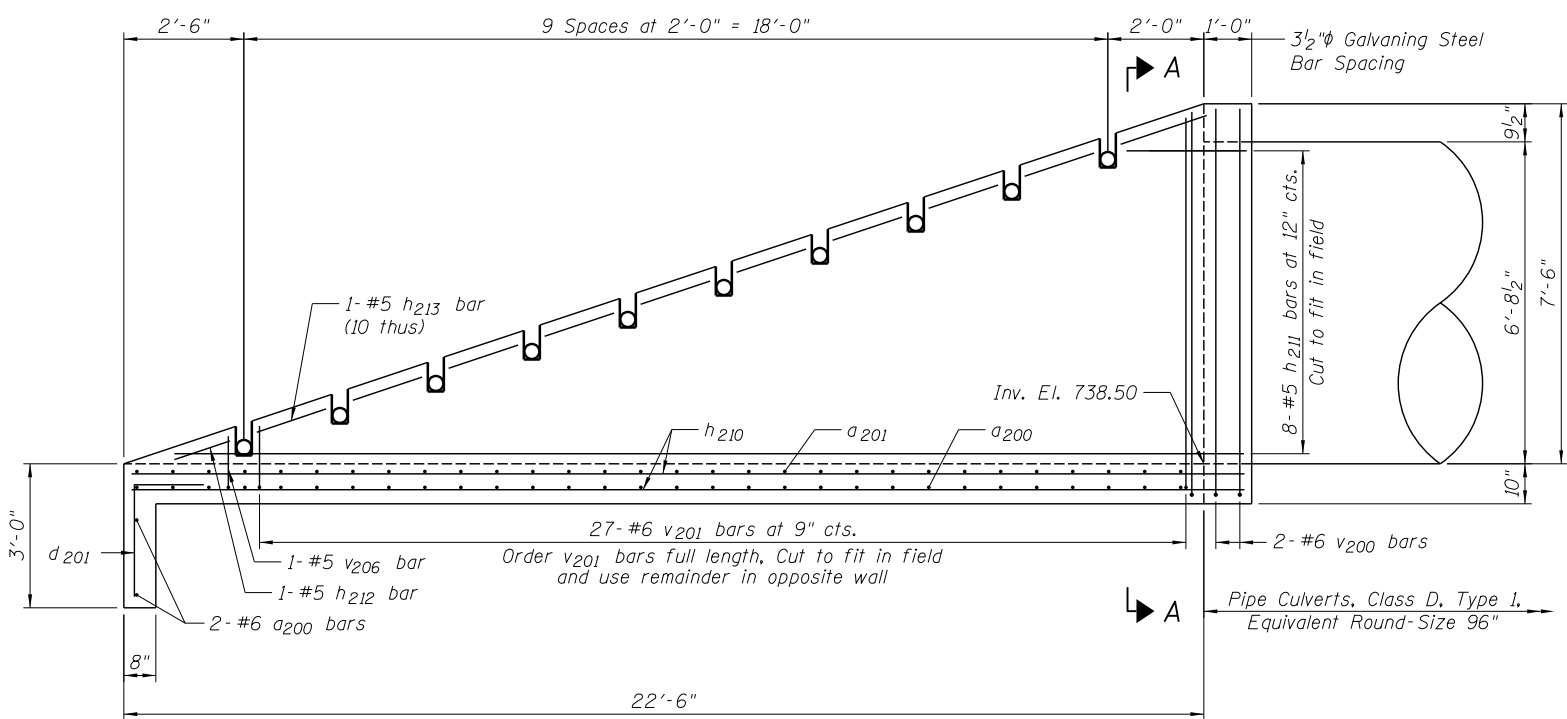


PLAN



SECTION A-A



ELEVATION

Note:  
See Sheet SC-6 for details  
and bar bends.

FILE NAME = ...E4083-SN008106-005-GratedExtension.dgn



Zroka Engineering, P.C.  
4216 North Hermitage  
Chicago, IL 60613

USER NAME = SAW	DESIGNED - JLA	REVISED -
PLOT SCALE = 4:0.0000 '1' / in.	CHECKED - DAZ	REVISED -
PLOT DATE = 6/26/2013	DRAWN - SAW	REVISED -
	CHECKED - JLA	REVISED -

STATE OF ILLINOIS  
DEPARTMENT OF TRANSPORTATION

GRADED CULVERT EXTENSION  
S.N. 008-1106

SHEET NO. SC-5 OF SC-7 SHEETS

F.A.P. RTE.	SECTION	COUNTY	TOTAL SHEETS	SHEET NO.
17	4BR-5	CARROLL	150	92
CONTRACT NO. 64D83				
ILLINOIS FED. AID PROJECT				