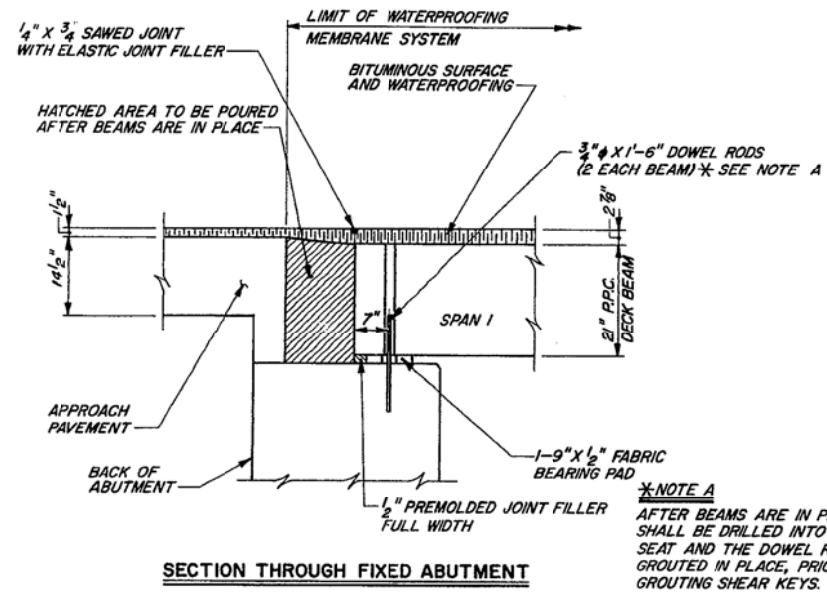
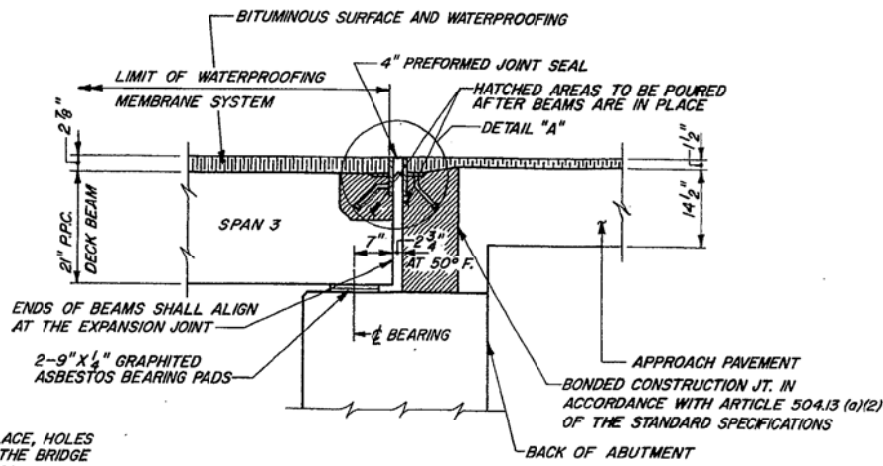


STATE OF ILLINOIS
DEPARTMENT OF TRANSPORTATION

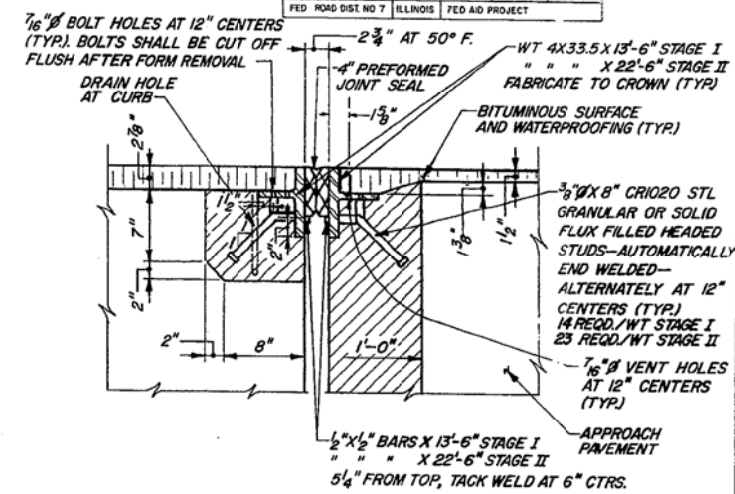
ROUTE NO.	SECTION	COUNTY	TOTAL SHEETS	SHEET NO.	SHEET NO.
S.B.I. 27	4BR-2	CARROLL	18	15	8
F.A. 17					
FED. ROAD DIST. NO. 7	ILLINOIS	FED. AID PROJECT			



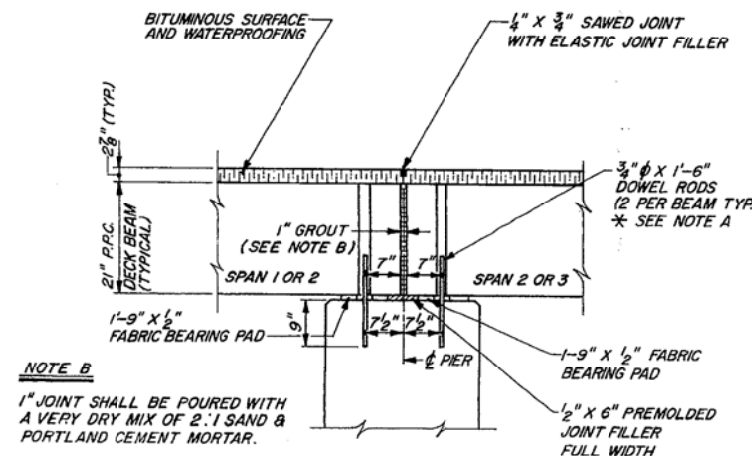
SECTION THROUGH FIXED ABUTMENT



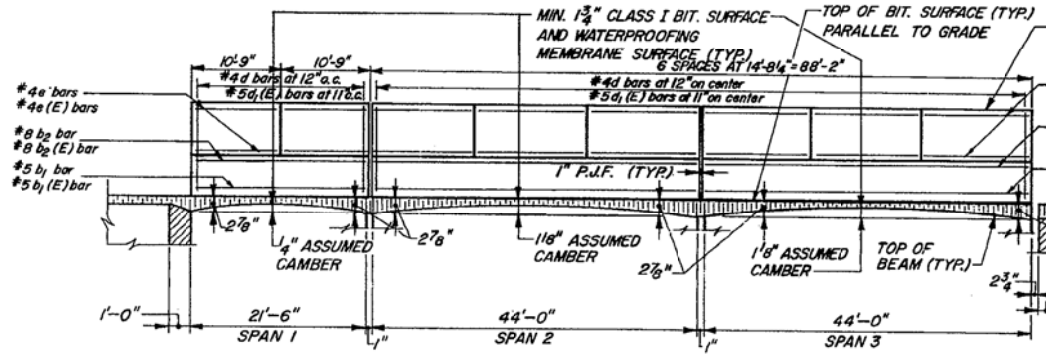
SECTION THROUGH EXPANSION ABUTMENT



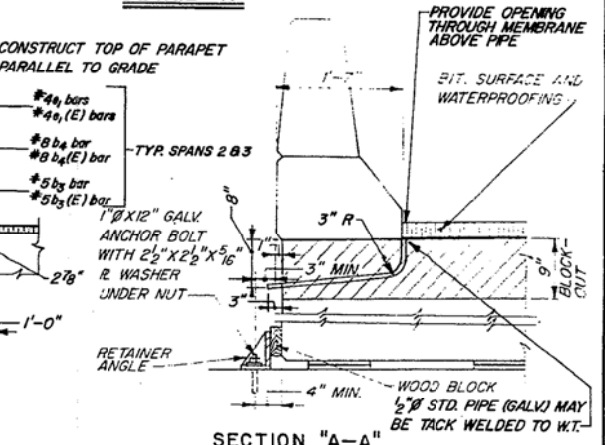
DETAIL "A"



SECTION THROUGH PIERS I AND 2



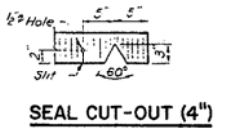
BITUMINOUS SURFACE PROFILE & PARAPET JOINT & REBAR DETAILS



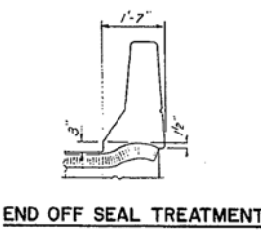
SECTION "A-A"

NOTE B
1" JOINT SHALL BE POURED WITH A VERY DRY MIX OF 2:1 SAND & PORTLAND CEMENT MORTAR.

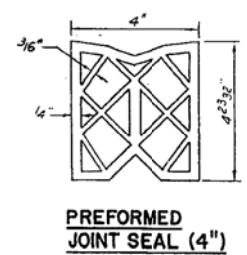
NOTE: USE 2 7/8" BITUMINOUS SURFACE AND WATERPROOFING AT ABUTMENTS AND PIERS TO MEET DESIGNED PROFILE. ALL REBAR QUANTITIES AND LENGTHS ARE DETAILED ON SHEETS 3 & 4.



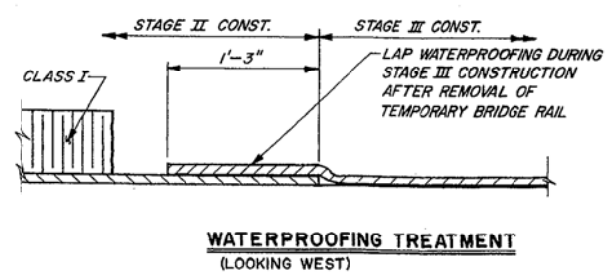
SEAL CUT-OUT (4")



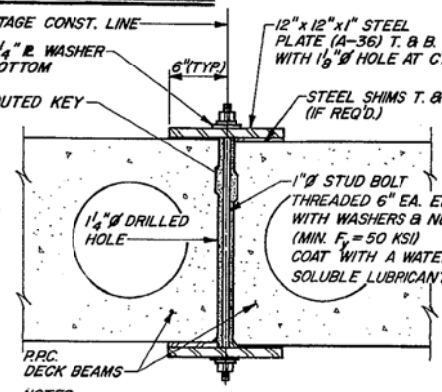
END OFF SEAL TREATMENT



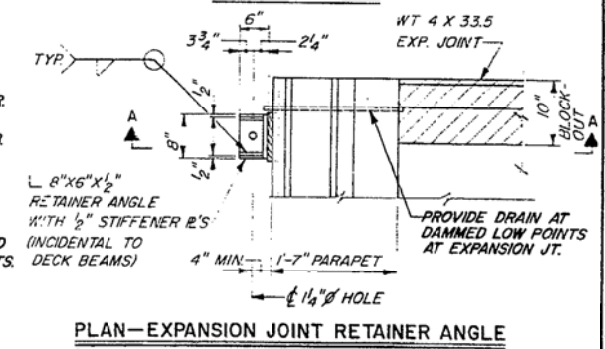
PREFORMED JOINT SEAL (4")



WATERPROOFING TREATMENT (LOOKING WEST)



SHEAR KEY CLAMP ASSEMBLY DETAIL



PLAN-EXPANSION JOINT RETAINER ANGLE

DESIGNED R.A.R.
CHECKED G.S.P.
DRAWN J.A.W.
CHECKED R.A.R.

REVISIONS	
DATE	DESCRIPTION

SUPERSTRUCTURE DETAILS
F.A. 17 (S.B.I. ROUTE 27) SEC. 4BR-2
CARROLL COUNTY
STA. 104+40
SCALE: NONE
SCHIMMACHER AND SOROKA INC.

USER NAME = SAW	DESIGNED - RAC	REVISED -
PLOT SCALE = 40.0000' / in.	DRAWN - LCR	REVISED -
PLOT DATE = 6/27/2013	CHECKED - DAZ	REVISED -
	DATE - 06-28-13	REVISED -