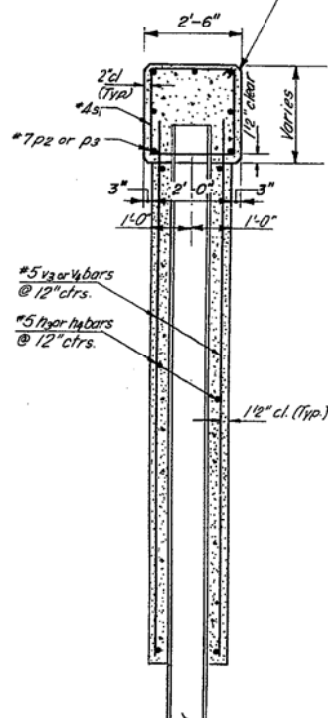


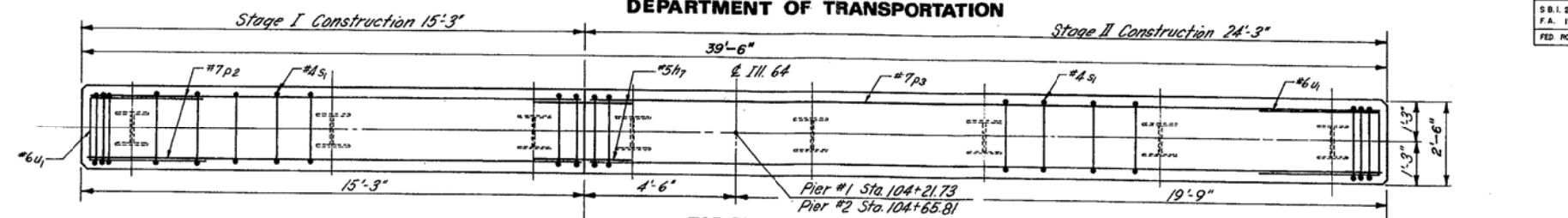
STATE OF ILLINOIS  
DEPARTMENT OF TRANSPORTATION

ROUTE NO.	SECTION	COUNTY	TOTAL SHEETS	SHEET NO.	SHEET NO. 7
S.B.I. 27	4BR-2	CARROLL	18	17	SHEETS 8
F.A. 17					
FED. ROAD DIST NO. 7	ILLINOIS	FED. AID PROJECT			

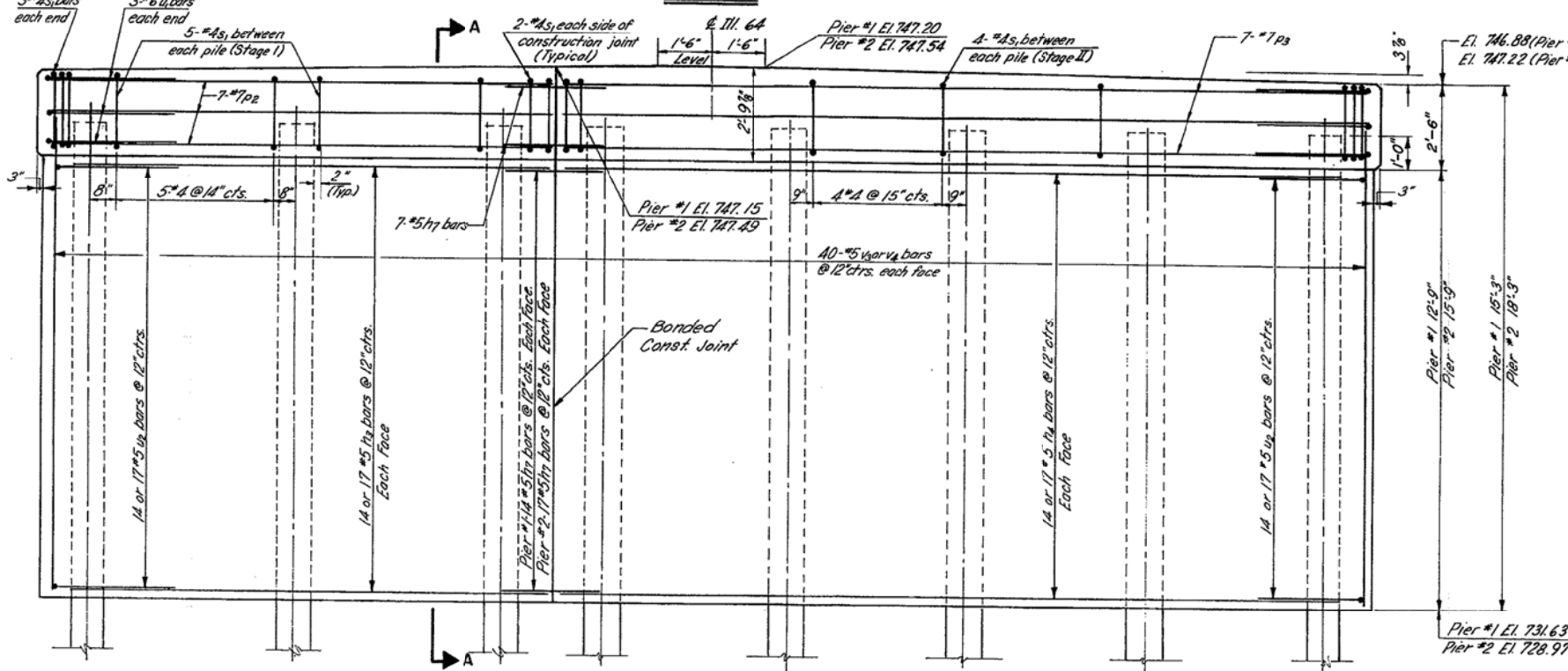
2" CHAMFER ALL AROUND (TYPICAL)



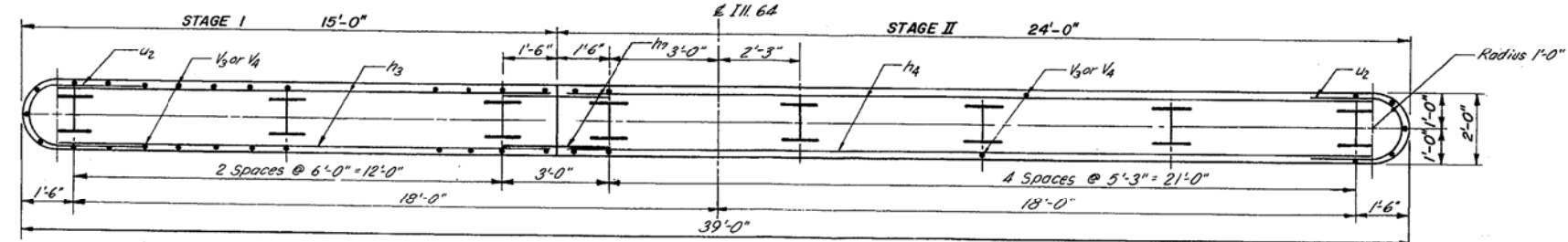
SECTION A-A



TOP PLAN



PIER ELEVATION (Facing East)



PILE PLAN

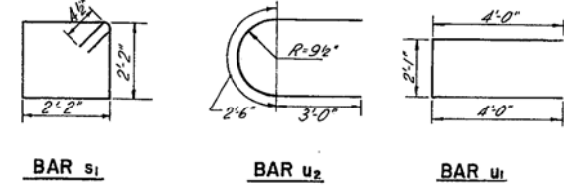
PILE DATA

TYPE: HP 12 X 53  
CAPACITY: DRIVE TO REFUSAL  
EST. LENGTH PIER #1 35'-0"  
EST. LENGTH PIER #2 39'-0"  
NO. REQ'D: 8 PER PIER

NOTES

1. Space reinforcement in cap to miss dowels for deck beam anchorage.
2. h3 bars shall meet the requirements of AASHTO M31 or M53 Grade 40 except that the elongation shall not be less than 20%.
3. h3 bars shall be lapped with p2 h3 bars in Stage I construction, straightened & lapped with p3 h3 bars in Stage II construction.

PILE PLAN



BILL OF MATERIAL\*

Bar	Number	Size	Length	Shape
<b>PIER NO. 1</b>				
P2	7	#7	14'-10"	—
P3	7	#7	23'-10"	—
S1	36	#4	9'-5"	□
U1	6	#6	10'-1"	□
U2	28	#5	8'-6"	□
V3	80	#5	13'-9"	
H3	28	#5	13'-10"	—
H4	28	#5	22'-10"	—
H7	35	#5	3'-8"	—
<b>PIER NO. 2</b>				
P1	7	#7	14'-10"	—
P2	7	#7	23'-10"	—
S1	36	#4	9'-5"	□
U1	6	#6	10'-1"	□
U2	34	#5	8'-6"	□
V4	80	#5	16'-9"	
H3	34	#5	13'-10"	—
H4	34	#5	22'-10"	—
H7	41	#5	3'-8"	—
Class x Concrete		Cu Yd	102.0	
Reinforcement bars		Lb	7480	
Hp 12x53 Steel Piles		Lin. Ft	592	

\* TWO PIERS

TYPICAL PIER DETAILS  
F.A. 17 (S.B.I. ROUTE 27) SEC. 4BR-2  
CARROLL COUNTY  
STA. 104+40  
SCALE: 1/4" = 1'-0"  
DATE: 4/30/82  
SCHUMACHER AND SVOBODA, INC.  
CONSULTING ENGINEERS  
CHICAGO, ILLINOIS

REVISIONS	
DATE	DESCRIPTION

FILE NAME = ... \0264083-SHT-ExB-ridge.dgn

USER NAME = SAW  
DESIGNED - RAC  
DRAWN - LCR  
PLOT SCALE = 40.0000' / in.  
PLOT DATE = 6/27/2013

DESIGNED - RAC  
DRAWN - LCR  
CHECKED - DAZ  
DATE - 06-28-13

REVISED -  
REVISED -  
REVISED -  
REVISED -

STATE OF ILLINOIS  
DEPARTMENT OF TRANSPORTATION

ZROKA  
engineering  
Zroka Engineering, P.C.  
4216 North Hermitage  
Chicago, IL 60613

EXISTING BRIDGE PLANS - 1982  
FOR INFORMATION ONLY

SCALE: SHEET OF SHEETS STA. TO STA.

F.A.P. RTE.	SECTION	COUNTY	TOTAL SHEETS	SHEET NO.
17	4BR-5 & 4BR-6	CARROLL	150	102
				CONTRACT NO. 64D83
ILLINOIS FED. AID PROJECT				