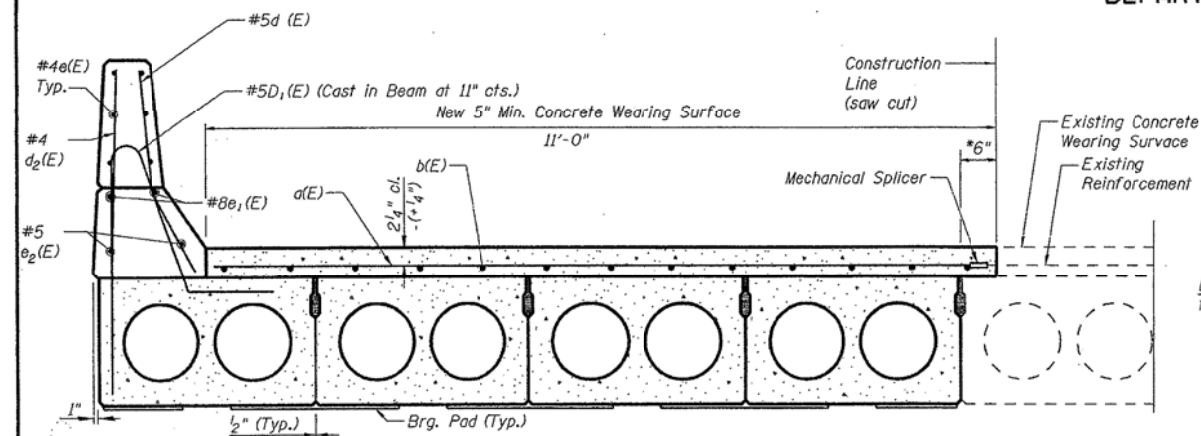


STATE OF ILLINOIS  
DEPARTMENT OF TRANSPORTATION

ROUTE NO.	SECTION	COUNTY	DATE	SHEET	SHEET NO.
F.A.P. 17		CARROLL	27	14	4 SHEETS
FED. ROAD DIST. NO. 7		ILLINOIS	FED. AID PROJECT		

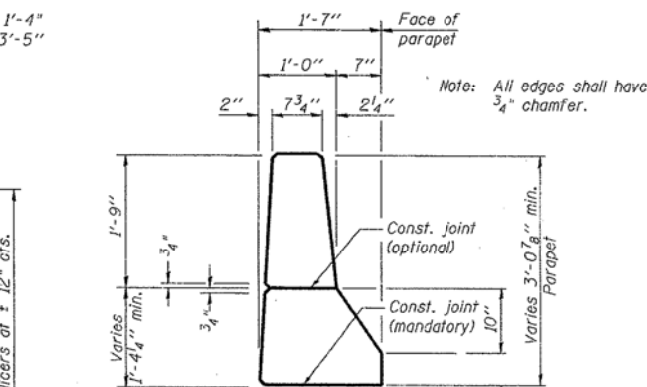


SECTION THRU BEAMS 1-4 & PARAPET

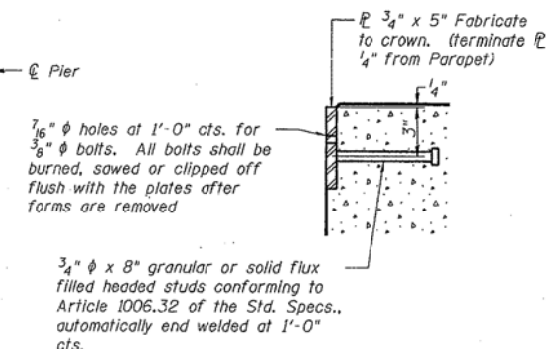
\* Limits of 5" min. Concrete Wearing Surface Removal. Cost included with Concrete Removal.

MIN. BAR LAP

#4 bar = 1'-4"  
#8 bar = 3'-5"

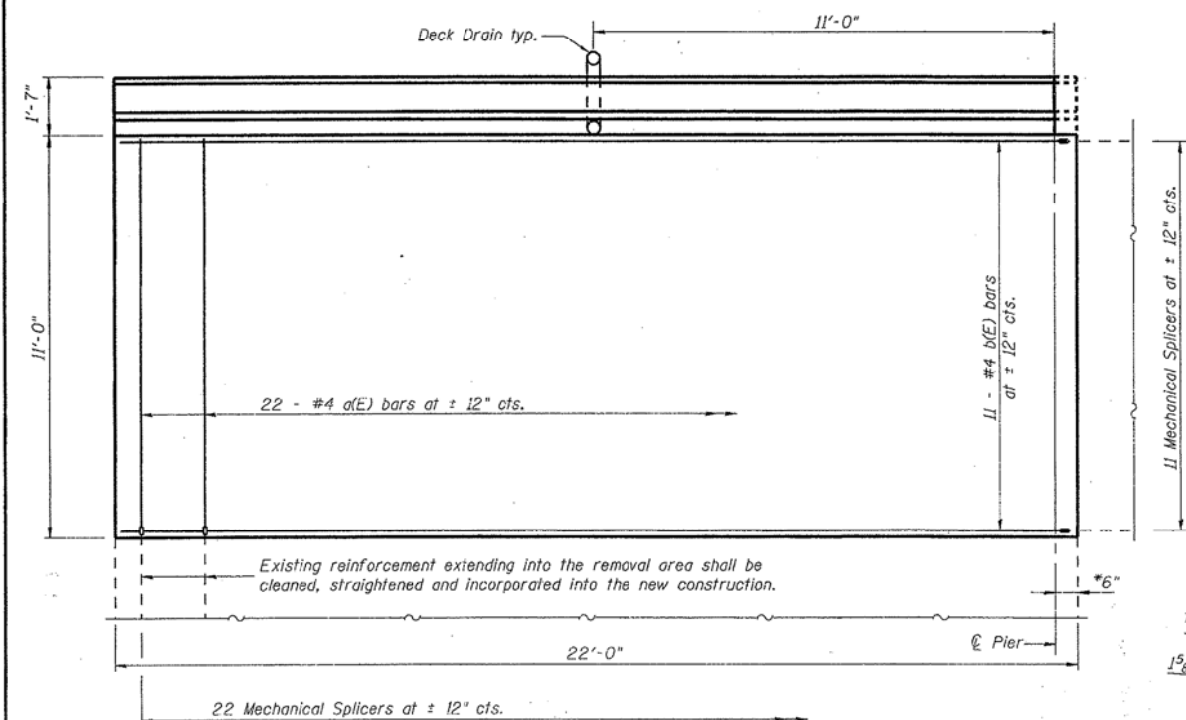


INSIDE ELEVATION OF PARAPET



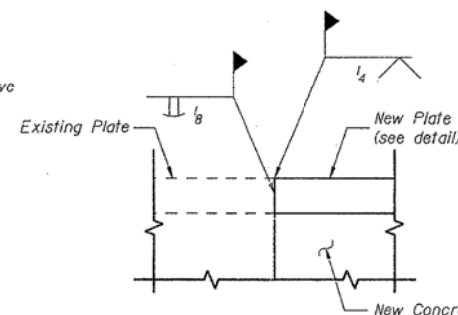
NEW PLATE DETAIL

(Cost Incidental to Concrete Wearing Surface, 5")



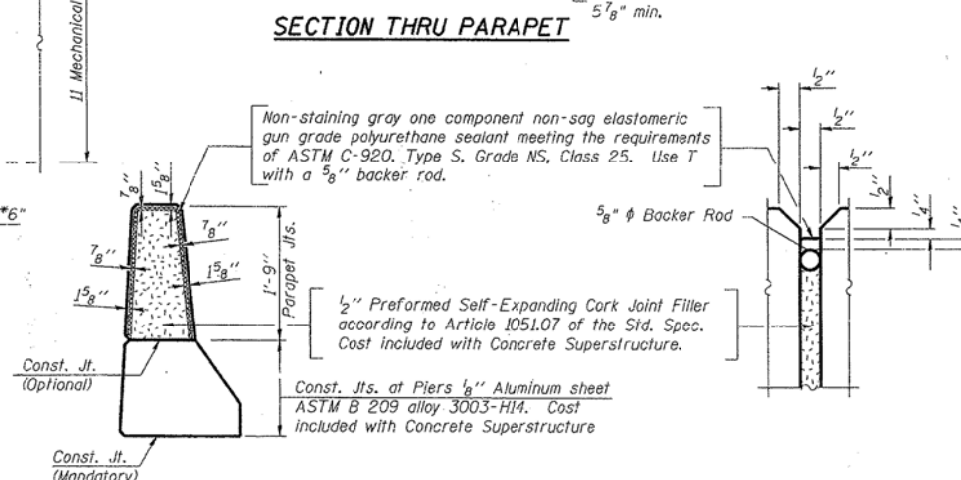
PLAN BEAMS 1-4

(Parapet & 5" Conc. Wearing Surface)



ELEVATION JOINT PLATE WELD

Cost Included with PPC Deck Beams



PARAPET JOINT DETAILS

Notes:  
The exterior surfaces of the floor drains in contact with concrete shall be painted with the finish coat as specified in the special provisions for Cleaning and Painting New Metal Structures. The exterior surfaces of the drains shall be cleaned according to Steel Structures Painting Council's Spec. SSPC-SP1 prior to painting.

SUPERSTRUCTURE  
BILL OF MATERIAL

Bar	No.	Size	Length	Shape
d(E)	22	#4	10'-6"	—
b(E)	11	#4	21'-6"	—
d(E)	24	#5	3'-0"	—
d2(E)	24	#4	2'-8"	—
e(E)	12	#4	10'-6"	—
e1(E)	2	#8	21'-2"	—
e2(E)	2	#5	21'-2"	—
Reinforcement Bars, Epoxy Coated	Pound		672	
Concrete Superstructure	Cu. Yds.		2.7	
Concrete Wearing Surface, 5"	Sq. Yds.		26.9	
Concrete Removal	Cu. Yds.		30.7	
Mechanical Splicers	Each		33	

Bars indicated thus 1 x 2-#5 etc. indicates 1 line of bars with 2 lengths per line.

SUPERSTRUCTURE DETAILS  
F.A.P. 17 (US RTE 52 & IL RTE 64)  
CARROLL COUNTY  
STRUCTURE NO. 008-0029

DESIGNED - DFM
CHECKED - RB
DRAWN - EBS
CHECKED - DFM

FILE NAME =  
... \0264083-SHT-ExBr-ridge.dgn

USER NAME = SAW  
PLOT SCALE = 40.0000' / in.  
PLOT DATE = 6/27/2013

DESIGNED - RAC  
DRAWN - LCR  
CHECKED - DAZ  
DATE - 06-28-13

REVISED -  
REVISED -  
REVISED -  
REVISED -

STATE OF ILLINOIS  
DEPARTMENT OF TRANSPORTATION

ZROKA  
engineering

Zroka Engineering, P.C.  
4216 North Hermitage  
Chicago, IL 60613

EXISTING BRIDGE PLANS - 1982  
FOR INFORMATION ONLY

SCALE: SHEET OF SHEETS STA. TO STA.

F.A.P. RTE.	SECTION	COUNTY	TOTAL SHEETS	SHEET NO.
17	4BR-5 & 4BR-6	CARROLL	150	108
			CONTRACT NO. 64DB3	
ILLINOIS FED. AID PROJECT				