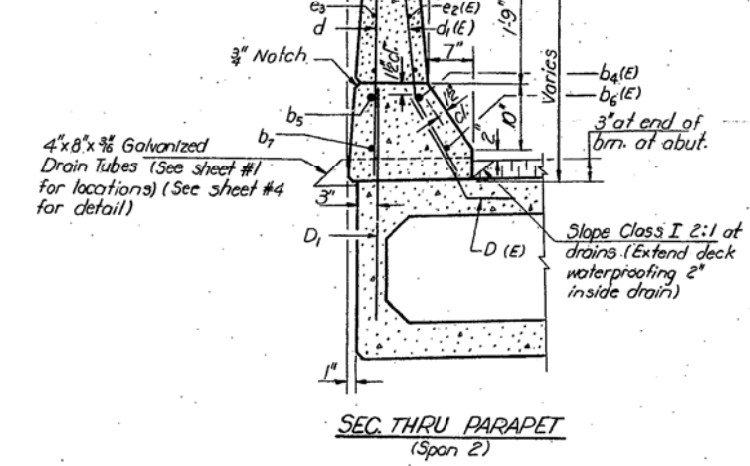
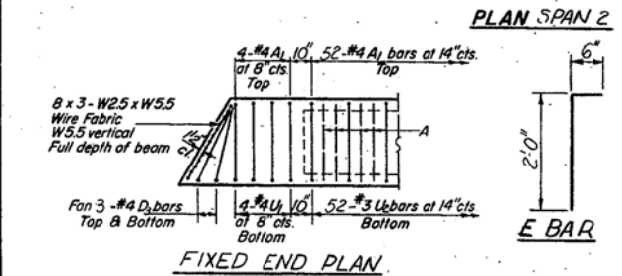
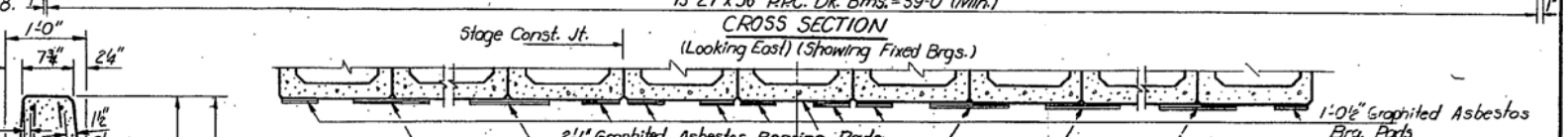
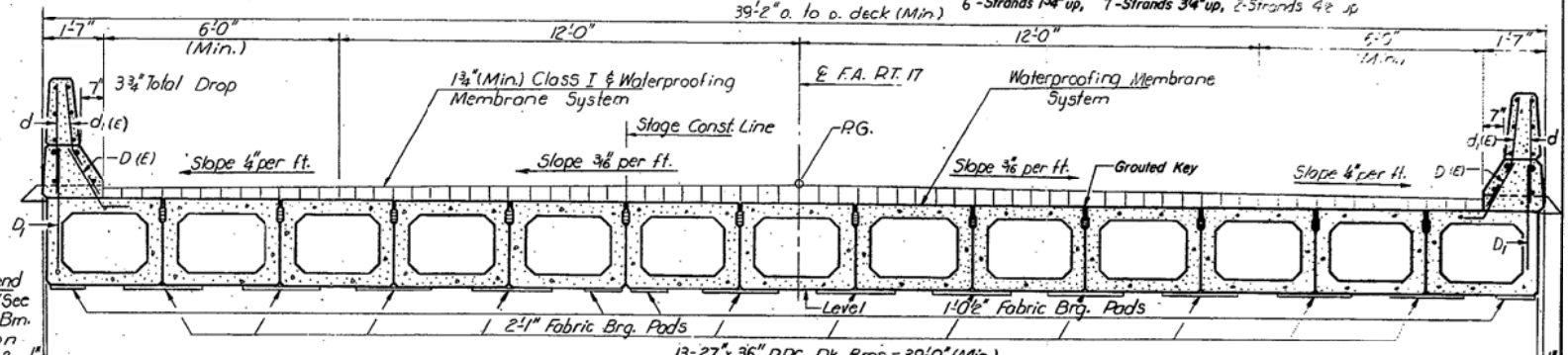
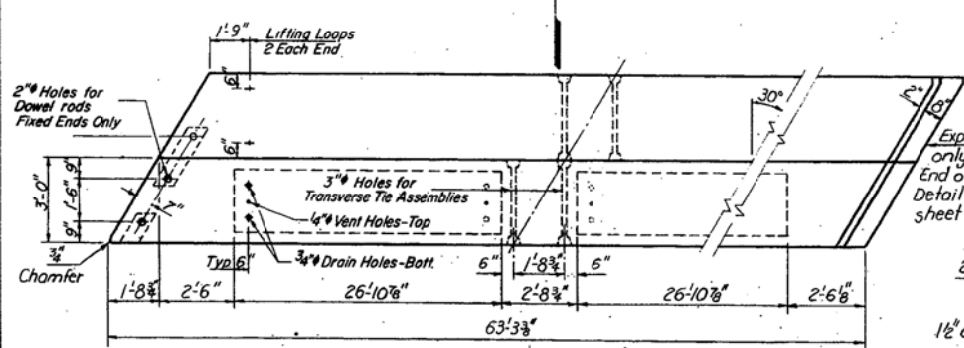
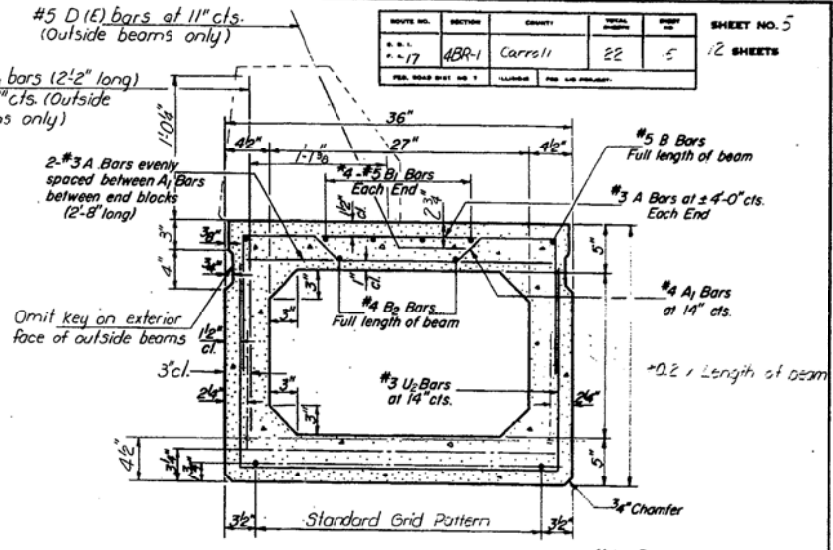
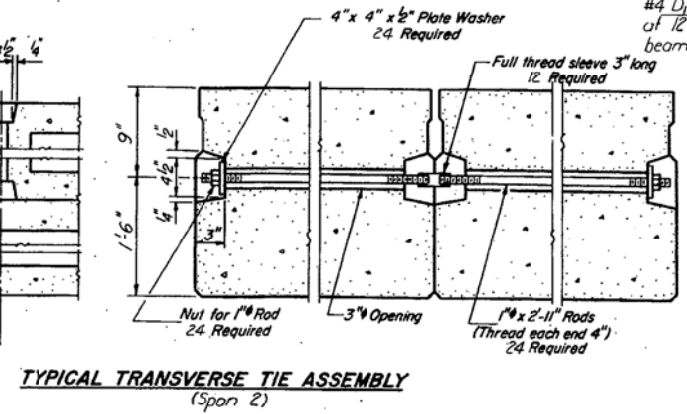
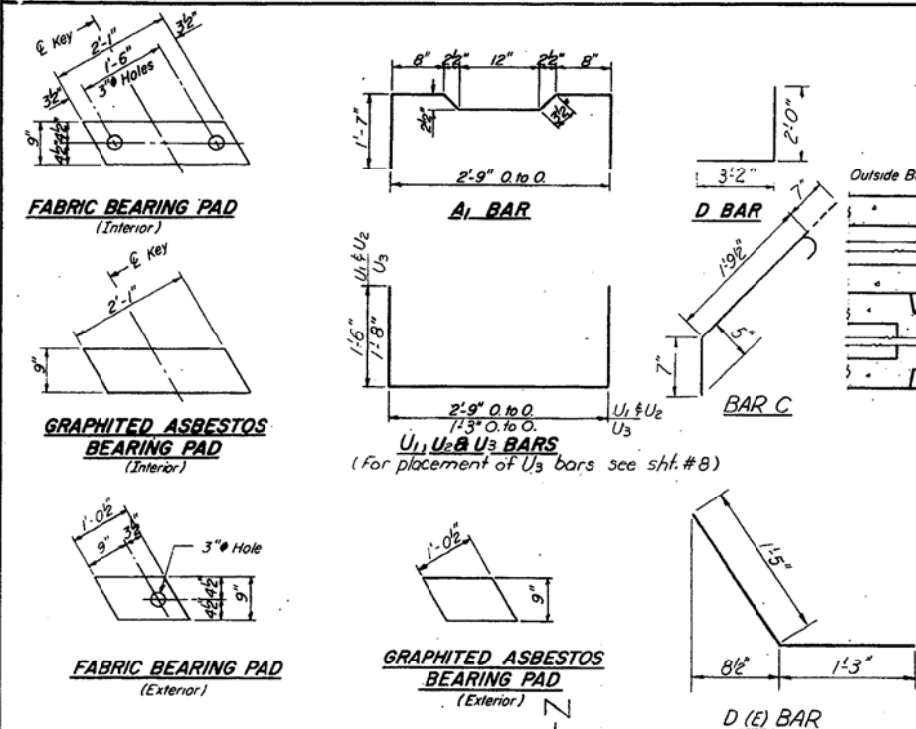


STATE OF ILLINOIS
DEPARTMENT OF TRANSPORTATION

PROJECT NO.	SECTION	COUNTY	TOTAL SHEETS	SHEET NO.
17	4BR-1	Carroll	22	5



NOTES

Prestressing steel shall be non-galvanized high strength, stress-relieved 7-wire strand, Grade 270. The nominal diameter shall be 1/2" and the nominal cross-sectional area shall be 0.533 sq. in. Lifting loops shall be 5/8" diameter, 6x25 class wire rope with fiber core and shall have a minimum ultimate tensile strength of 33,000 lbs. or 2-1/2" - 270 ksi strands as shown on sheet #4. The 1/2" rods in the transverse tie assembly shall be tightened to a snug fit and the threads set. Pockets that receive transverse tie bar on outside shall be filled with grout after transverse tie assembly is in place.

Reinforcement bars shall conform to AASHTO: M-31 or M-53, Grade 60. The bearing seat surfaces shall be adjusted by shimming to assure firm and even bearing. Two 1/8" fabric adjusting shims of the dimensions of the Exterior Bearing Pad shall be provided for each bearing.

Keyway surfaces shall be cleaned to remove form oil or other bond breaking material prior to shipment of the beams. Cleaning shall be done by sandblasting the keyway areas between the top of the beam and the bottom edge of the key.

Dowel rods shall be grouted after beams are in place and allowed to cure prior to grouting the shear keys.

Reinforcement bars for parapets and expansion block-out and Class X Concrete are billed on sheet #7.

Reinforcement bars designated (E) shall be epoxy coated. See Special Provisions.

BILL OF MATERIAL

Item	Unit	Total
Precast Prestressed Concrete Deck Beams (21' Depth)	Sq. Ft.	2468

SUPERSTRUCTURE
SPAN 2
F.A. RT. 17 SEC. 4BR-1
CARROLL COUNTY
STA. 174+4562

DESIGNED M. Bloxdorf
CHECKED Jim Kohout
DRAWN R. Doty
CHECKED J. K.

March 4, 1982

PD-5-L 6-15-80