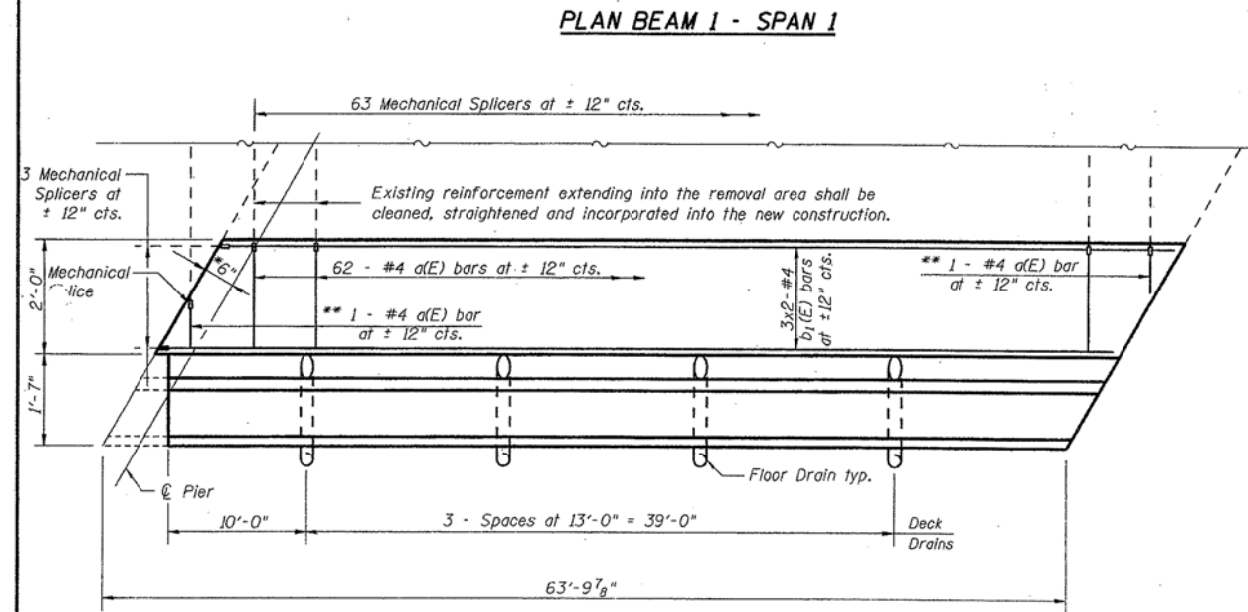
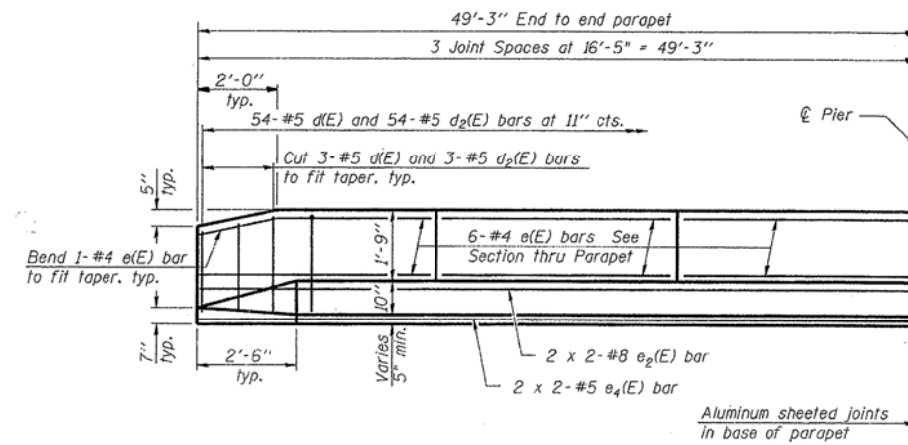


STATE OF ILLINOIS
DEPARTMENT OF TRANSPORTATION

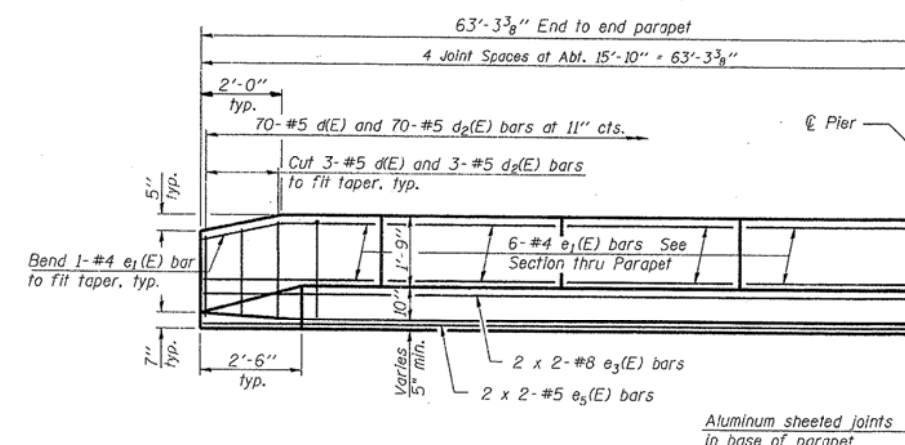
ROUTE NO.	SECTION	COUNTY	DATE	SHEET	SHEET NO. 6
F.A.P. 17		CARROLL	27	20	6 SHEETS
FED. ROAD DIST. NO. 7	A.A.D.D.S.	FED. AID PROJECT			



PLAN BEAM 13 - SPAN 2
(Parapet and 5" Concrete Wearing Surface)

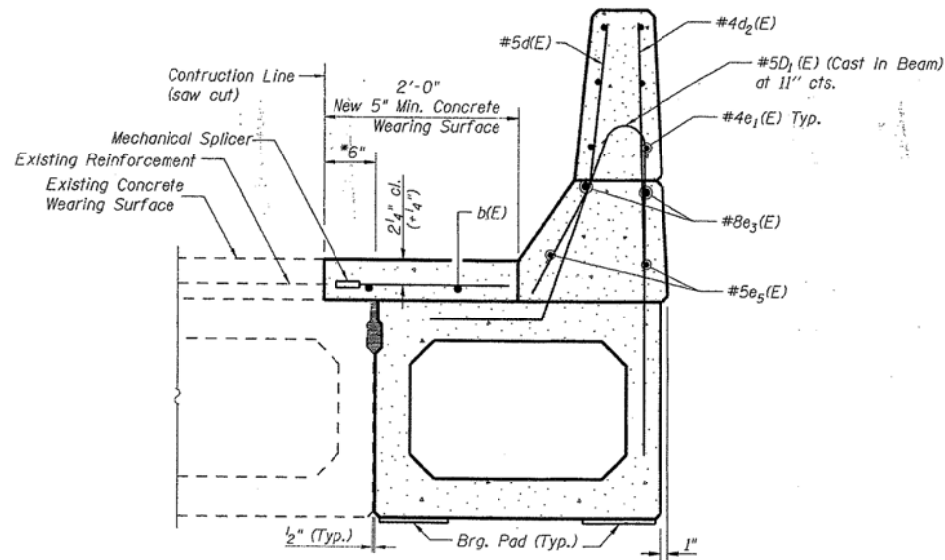


INSIDE ELEVATION OF NORTH PARAPET
(SPAN 1)



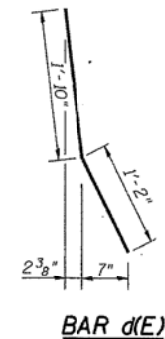
INSIDE ELEVATION OF SOUTH PARAPET
(SPAN 2)

MIN. BAR LAP
#4 bar = 1'-4"



SECTION THRU BEAM 13 & SOUTH PARAPET

* Limits of 5" min. Concrete Wearing Surface Removal. Cost included with Concrete Removal.
** Order d(E) bars full length. Cut to fit skew and use remainder of bars in opposite end.



MIN. BAR LAP
#4 bar = 1'-9"
#5 bar = 2'-0"
#8 bar = 4'-0"

SUPERSTRUCTURE
BILL OF MATERIAL

Bar	No.	Size	Length	Shape
d(E)	113	#4	2'-2"	—
d1(E)	192	#4	3'-8"	—
d2(E)	4	#4	3'-6"	—
d3(E)	4	#4	1'-8"	—
b(E)	22	#4	25'-6"	—
b1(E)	6	#4	32'-7"	—
d(E)	124	#5	3'-0"	—
d2(E)	124	#4	2'-8"	—
e(E)	18	#4	16'-2"	—
e1(E)	24	#4	15'-7"	—
e2(E)	4	#8	26'-6"	—
e3(E)	4	#8	33'-6"	—
e4(E)	4	#5	25'-6"	—
e5(E)	4	#5	32'-6"	—
Reinforcement Bars, Epoxy Coated	Pound		3,089	
Concrete Superstructure	Cu. Yds.		14.1	
Concrete Wearing Surface, 5"	Sq. Yds.		69.5	
Concrete Removal	Cu. Yds.		15.7	
Mechanical Splicers	Each		333	

Bars indicated thus 1 x 2-#5 etc. indicates 1 line of bars with 2 lengths per line.

SUPERSTRUCTURE DETAILS
Sheet 2 of 2
F.A.P. 17 (US RTE 52 & IL RTE 64)
CARROLL COUNTY
STRUCTURE NO. 008-0030

DESIGNED - DFM
CHECKED - RB
DRAWN - EBS
CHECKED - DFM

FILE NAME = ... \0264083-SHT-ExBridge.dgn	USER NAME = SAW	DESIGNED - RAC	REVISED -
PLOT SCALE = 40.0000' / in.		DRAWN - LCR	REVISED -
PLOT DATE = 6/27/2013		CHECKED - DAZ	REVISED -
		DATE - 06-28-13	REVISED -

STATE OF ILLINOIS
DEPARTMENT OF TRANSPORTATION

ZROKA
engineering

Zroka Engineering, P.C.
4216 North Hermitage
Chicago, IL 60613

EXISTING BRIDGE PLANS - 1994
FOR INFORMATION ONLY

SCALE: SHEET OF SHEETS STA. TO STA.

F.A.P. RTE.	SECTION	COUNTY	TOTAL SHEETS	SHEET NO.
17	4BR-5 & 4BR-6	CARROLL	150	116
				CONTRACT NO. 64D83
ILLINOIS FED. AID PROJECT				