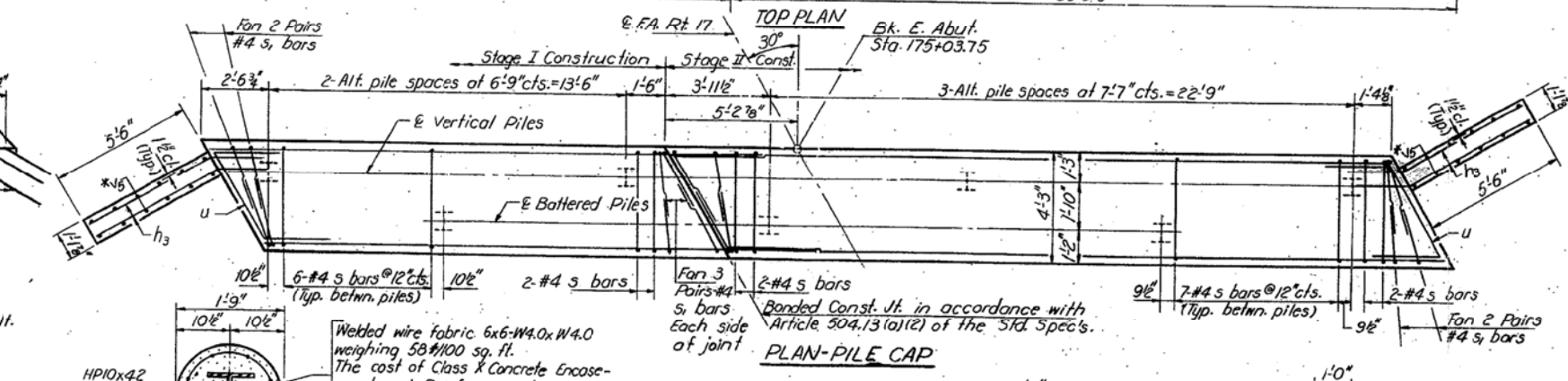
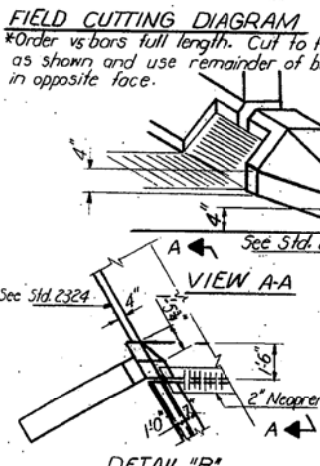
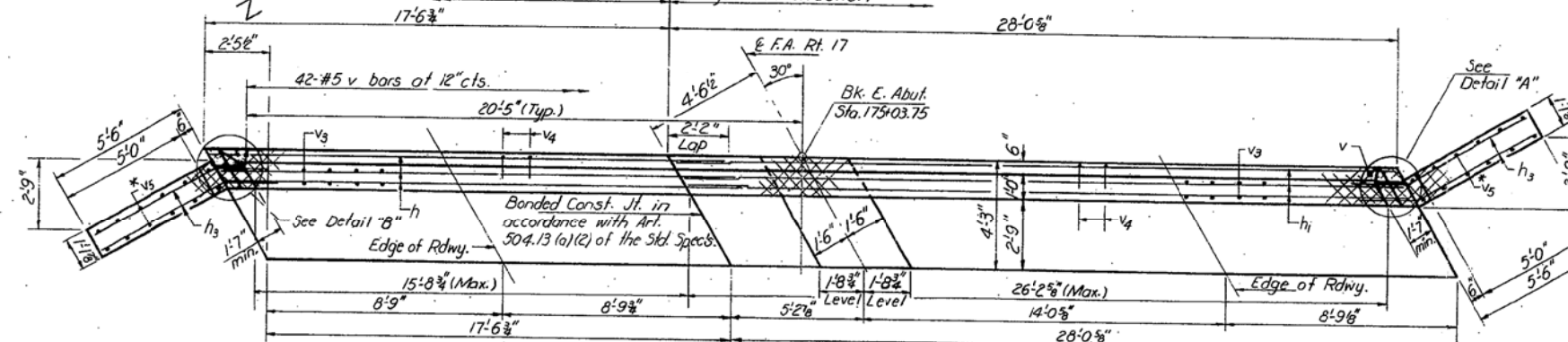
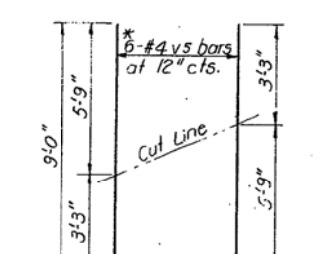
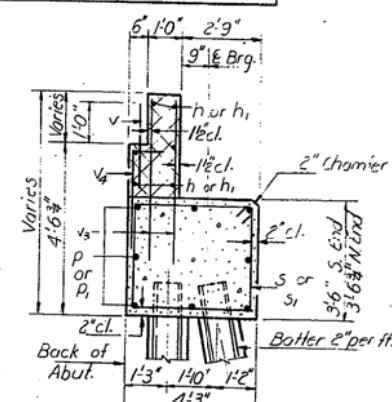
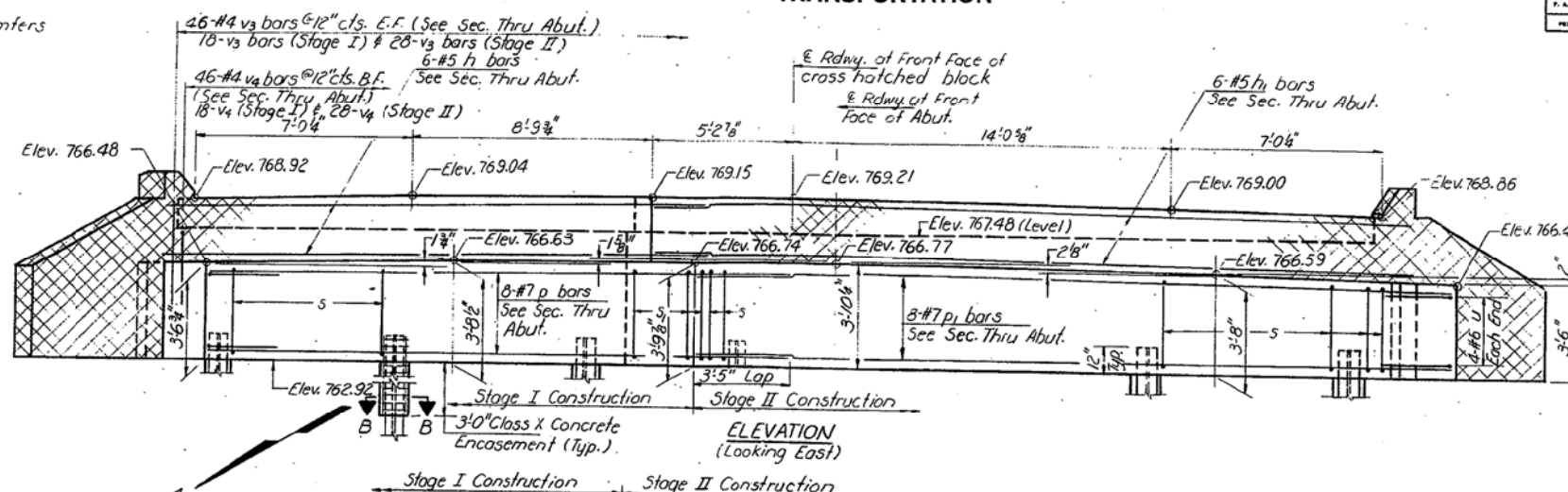
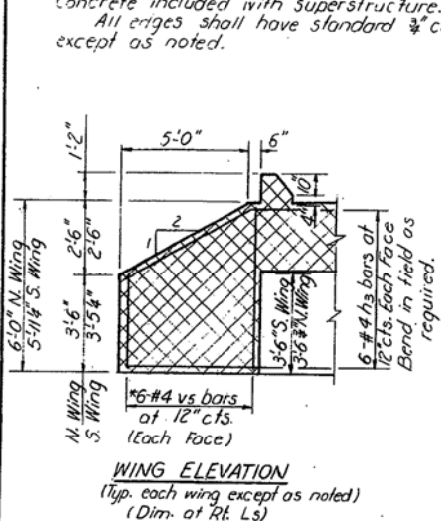


STATE OF ILLINOIS
DEPARTMENT OF TRANSPORTATION

ROUTE NO.	SECTION	COUNTY	SHEET NO.	SHEET NO.
17	4BR-1	Carroll	22	21
SHEET NO. 11 12 SHEETS				

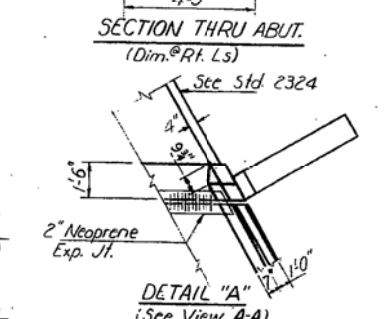
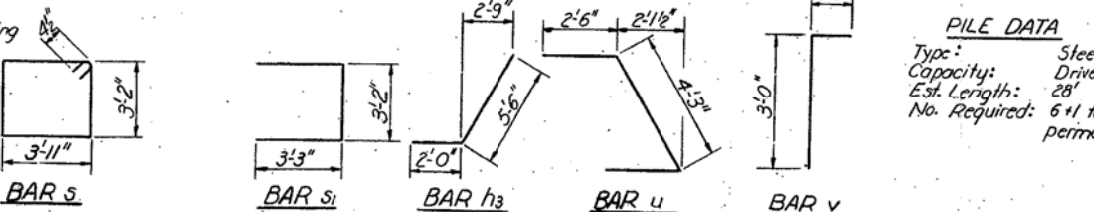
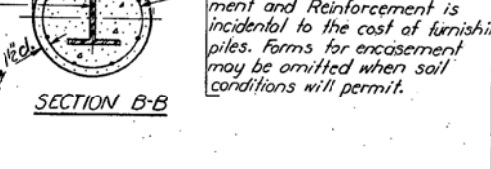
Notes:

Cross hatched area to be poured after superstructure is in place. Quantity of Class X Concrete included with superstructure.
All edges shall have standard chamfers except as noted.



DESIGNED	M. Bloxdorf
CHECKED	JIM KENOU
DRAWN	A. Doty
CHECKED	J. K.

March 1994
James J. [Signature]
[Signature]



BILL OF MATERIAL

Bar	No.	Size	Length	Shape
h	6	#5	19'-8"	—
h1	6	#5	27'-10"	—
ha	24	#4	7'-6"	┘
p	8	#7	20'-11"	—
p1	8	#7	27'-10"	—
s	39	#4	14'-11"	┘
s1	20	#4	9'-8"	┘
u	8	#6	9'-3"	┘
v	42	#5	2'-0"	—
v3	84	#4	4'-0"	—
va	46	#4	4'-0"	┘
vs	12	#4	9'-0"	┘

Class X Concrete Cu. Yd. 26.3
Reinforcement Bars Pound 2370
Steel Piles HP10x42 Lin. Ft. 168
Test Pile Steel HP10x42 Each 1

EAST ABUTMENT
EA. RT. 17 SEC. 4BR-1
CARROLL COUNTY
STA. 174+45.62