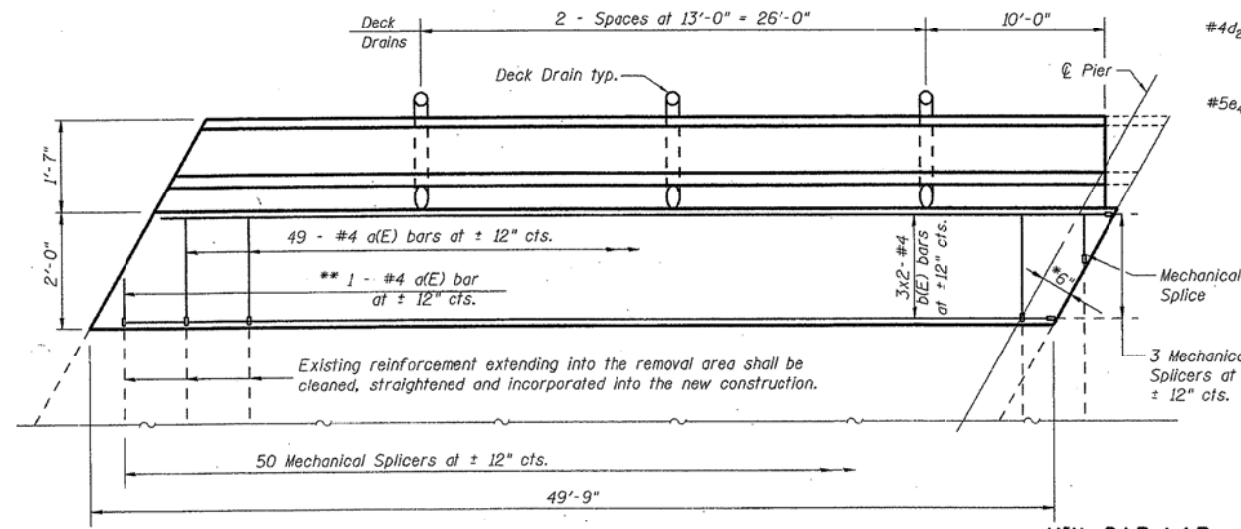
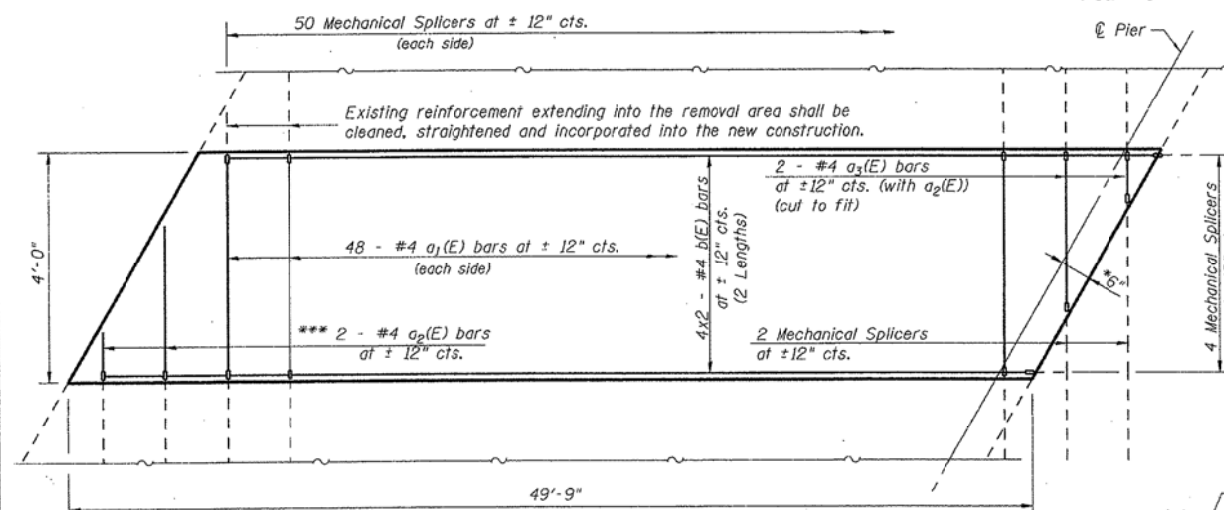


STATE OF ILLINOIS
DEPARTMENT OF TRANSPORTATION

ROUTE NO.	SECTION	COUNTY	DATE	SHEET	SHEET NO. 5
F.A.P. 17		CARROLL	27	19	6 SHEETS
FED. ROAD DIST. NO. 7	ILLINOIS	FED. AID PROJECT			



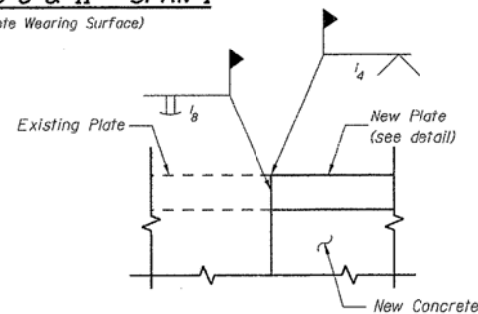
PLAN BEAM 1 - SPAN 1
(Parapet & 5" Concrete Wearing Surface)



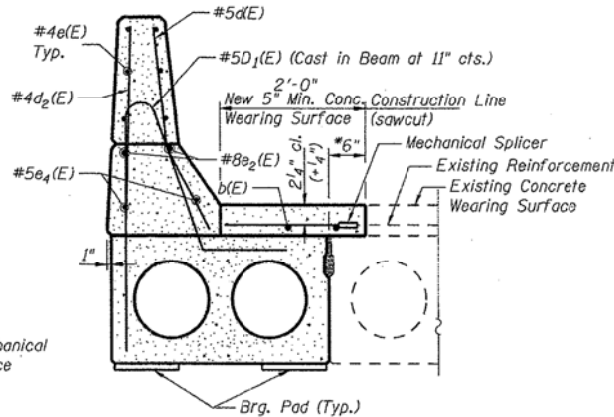
PLAN BEAMS 8 & 11 - SPAN 1
(5" Concrete Wearing Surface)

* Limits of 5" min. Concrete Wearing Surface Removal. Cost included with Concrete Removal.
*** Order a2(E) bars full length. Cut to fit skew and use remainder of bars in opposite end.

DESIGNED - DFM
CHECKED - RB
DRAWN - EBS
CHECKED - DFM

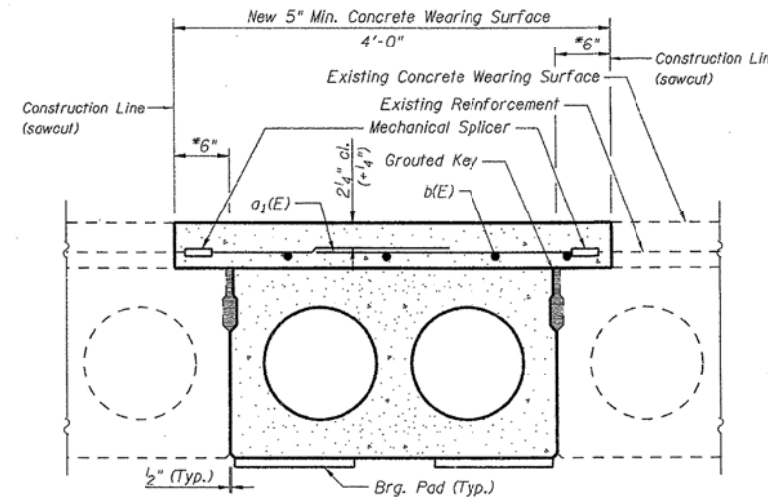


ELEVATION JOINT PLATE WELD
Cost Included with PPC Deck Beams



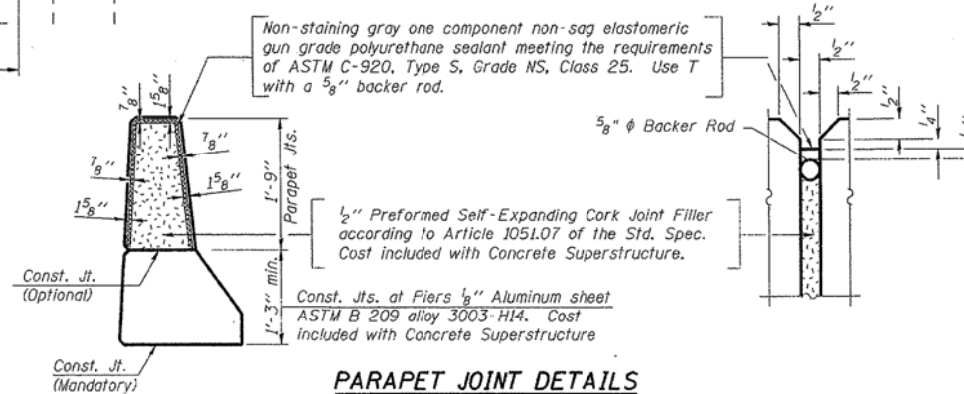
SECTION THRU BEAM 1 & NORTH PARAPET

* Limits of 5" min. Concrete Wearing Surface Removal. Cost included with Concrete Removal.
** Order a(E) bars full length. Cut to fit skew and use remainder of bars in opposite end.



SECTION THRU BEAMS 8 & 11

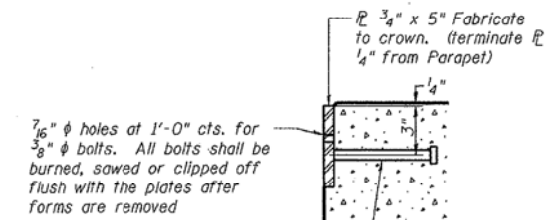
Non-staining gray one component non-sag elastomeric gun grade polyurethane sealant meeting the requirements of ASTM C-920, Type S, Grade NS, Class 25. Use T with a 5/8" backer rod.



PARAPET JOINT DETAILS

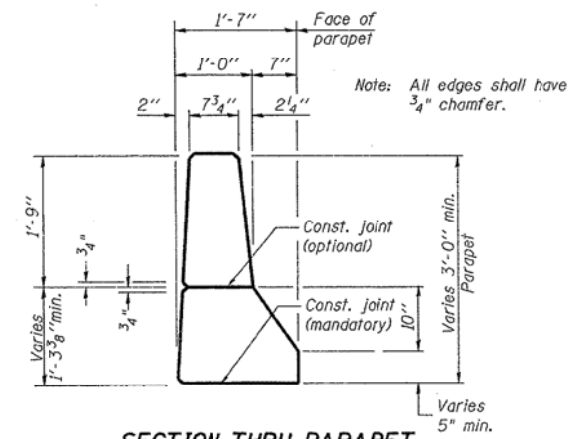
(see sheet 6 of 6 for locations)

Notes:
The exterior surfaces of the floor drains shall be painted with the finish coat as specified in the special provisions for Cleaning and Painting New Metal Structures. The exterior surfaces of the drains shall be cleaned according to Steel Structures Painting Council's Spec. SSPC-SP1 prior to painting.



NEW PLATE DETAIL

(Cost Incidental to Concrete Wearing Surface, 5")



SECTION THRU PARAPET

BILL OF MATERIALS

See Sheet 6 of 6.

SUPERSTRUCTURE DETAILS
Sheet 1 of 2
F.A.P. 17 (US RTE 52 & IL RTE 64)
CARROLL COUNTY
STRUCTURE NO. 008-0030

FILE NAME = ... \0264083-SHT-ExBr-ridge.dgn

USER NAME = SAW
PLOT SCALE = 40.0000' / in.
PLOT DATE = 6/27/2013

DESIGNED - RAC
DRAWN - LCR
CHECKED - DAZ
DATE - 06-28-13

REVISED -
REVISED -
REVISED -
REVISED -

STATE OF ILLINOIS
DEPARTMENT OF TRANSPORTATION

ZROKA
engineering

Zroka Engineering, P.C.
4216 North Hermitage
Chicago, IL 60613

EXISTING BRIDGE PLANS - 1994
FOR INFORMATION ONLY

SCALE: SHEET OF SHEETS STA. TO STA.

F.A.P. RTE.	SECTION	COUNTY	TOTAL SHEETS	SHEET NO.
17	4BR-5 & 4BR-6	CARROLL	150	125
CONTRACT NO. 64D83				
ILLINOIS FED. AID PROJECT				