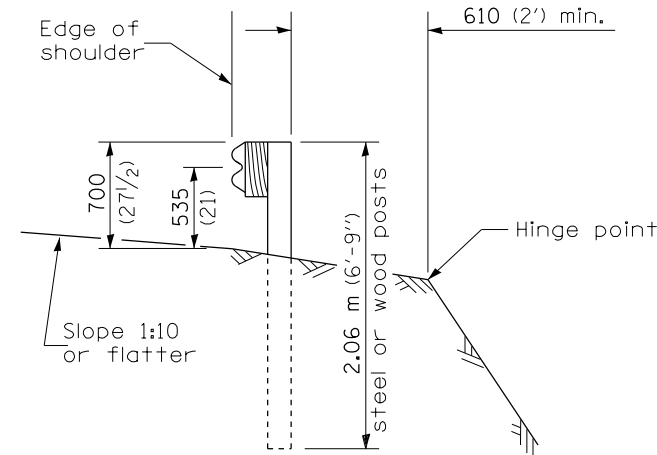
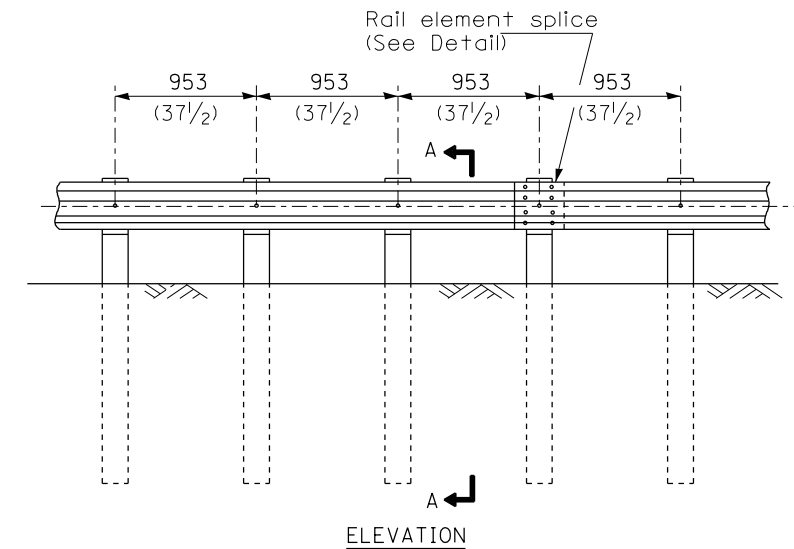


TYPE A

1.905 m (6'-3") Typical post spacing

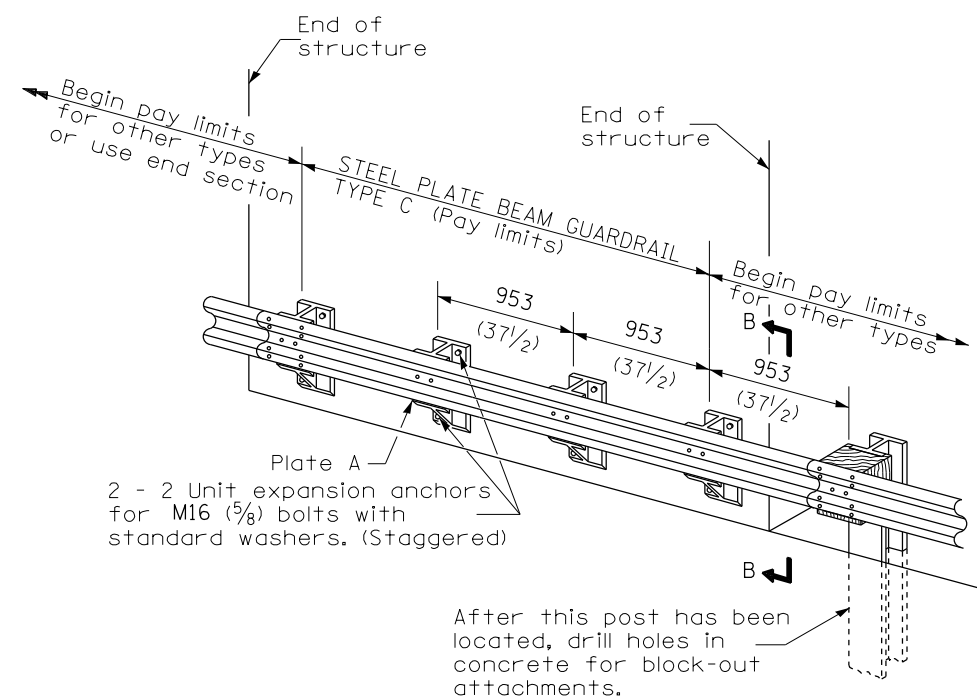


SECTION A-A



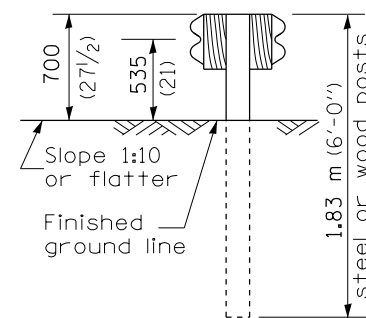
TYPE B

953 (37 1/2) Closed post spacing

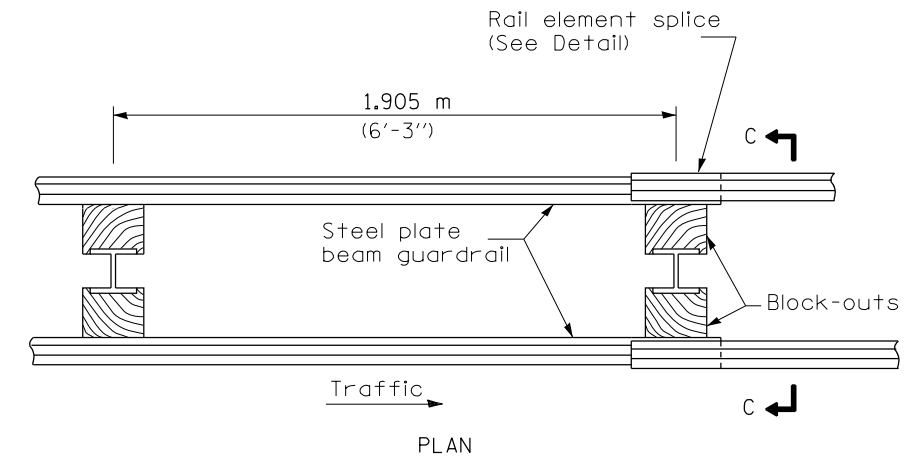


TYPE C

953 (37 1/2) Block-out spacing

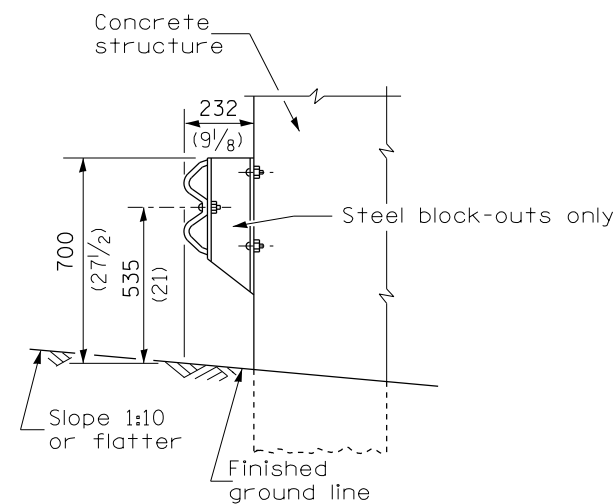


SECTION C-C



TYPE D

Double steel plate beam guardrail
1.905 m (6'-3") typical post spacing



SECTION B-B

GENERAL NOTES

All slope ratios are expressed as units of vertical displacement to units of horizontal displacement (V:H).

All dimensions are in millimeters (inches) unless otherwise shown.

FILE NAME =	USER NAME = sparksgw	DESIGNED -	REVISED -	STATE OF ILLINOIS DEPARTMENT OF TRANSPORTATION	PRE-MGS HIGHWAY STANDARD 630001-06 STEEL PLATE BEAM GUARDRAIL EFFECTIVE 4-1-06 (SHEET 1 OF 4)	F.A. RTE.	SECTION	COUNTY	TOTAL SHEETS	SHEET NO.	
Default	PLT DATE = Jun-28-2013 11:41:19AM	DRAWN -	REVISED -			VAR	.	.	17	6	
		CHECKED -	REVISED -			CONTRACT NO. 72G20					
		DATE -	REVISED -			ILLINOIS FED. AID PROJECT					