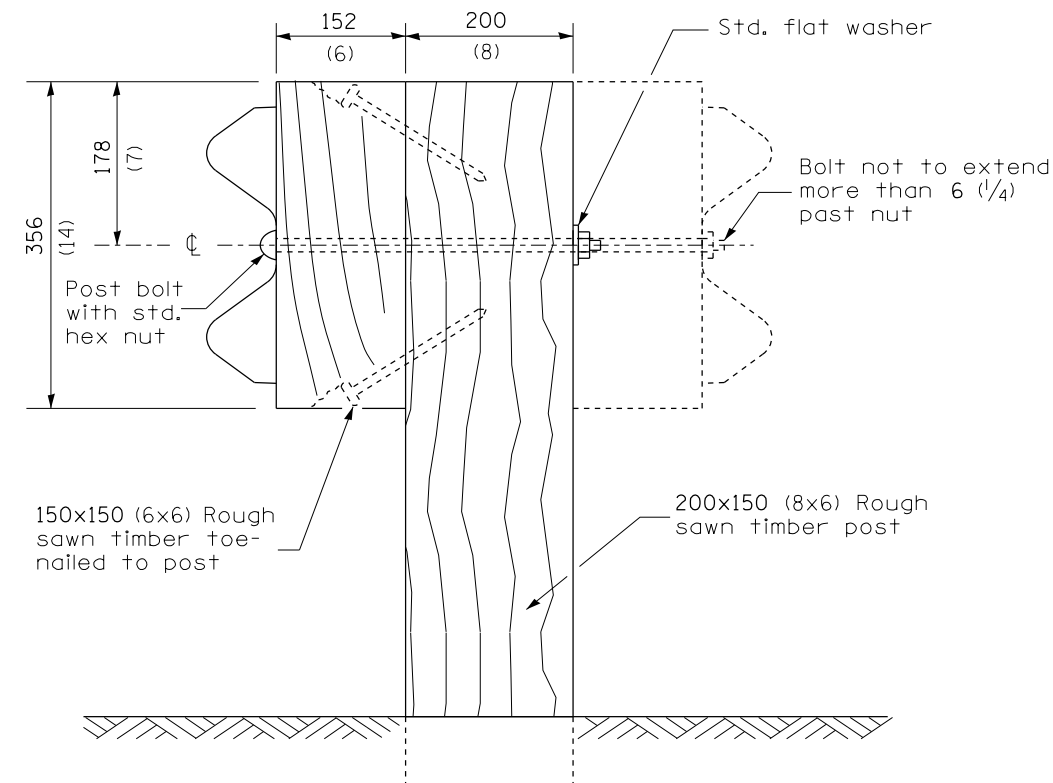
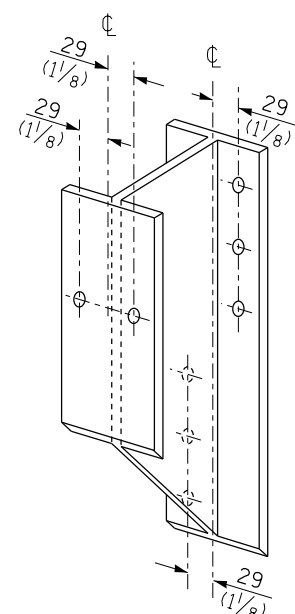


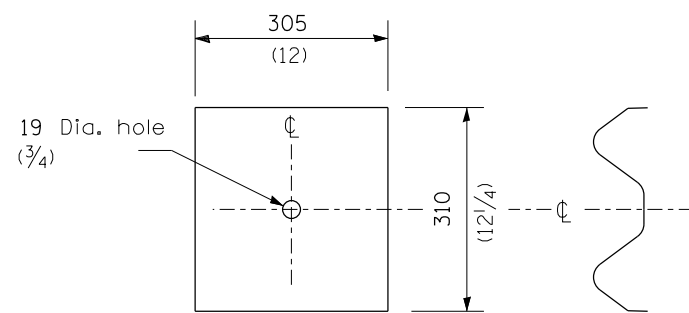
**STEEL POST CONSTRUCTION**



**WOOD POST CONSTRUCTION**



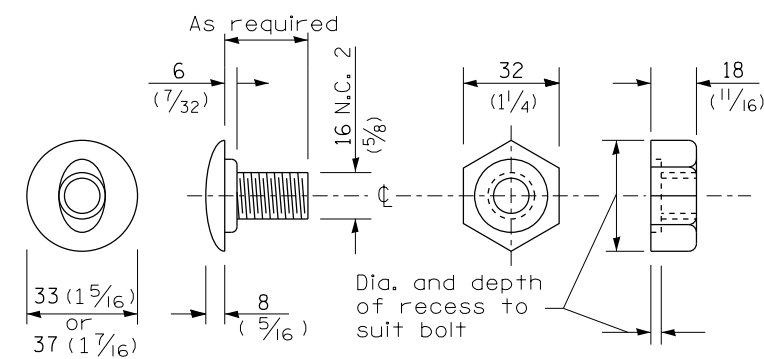
**STEEL BLOCK-OUT DETAIL**



NOTE

Plate A shall be placed between rail element and block-out at non-splice mounting points only when steel block-outs are used.

**PLATE A**



**POST OR SPLICE BOLT & NUT**

FILE NAME =	USER NAME = sparksgw	DESIGNED -	REVISED -
c:\pwork\work\pwork\sparksgw\d0346074\0672020-sh-630001-06_SteelPlateBeamGrd.dgn		DRAWN -	REVISED -
Default	PLOT SCALE = 26.0000' / in.	CHECKED -	REVISED -
	PLOT DATE = Jun-28-2013 11:41:20AM	DATE -	REVISED -

**STATE OF ILLINOIS  
DEPARTMENT OF TRANSPORTATION**

**PRE-MGS HIGHWAY STANDARD 630001-06  
STEEL PLATE BEAM GUARDRAIL  
EFFECTIVE 4-1-06** (SHEET 2 OF 4)

F.A. RTE.	SECTION	COUNTY	TOTAL SHEETS	SHEET NO.
VAR	.	.	17	7
			CONTRACT NO. 72G20	

SCALE: SHEET OF SHEETS STA. TO STA.