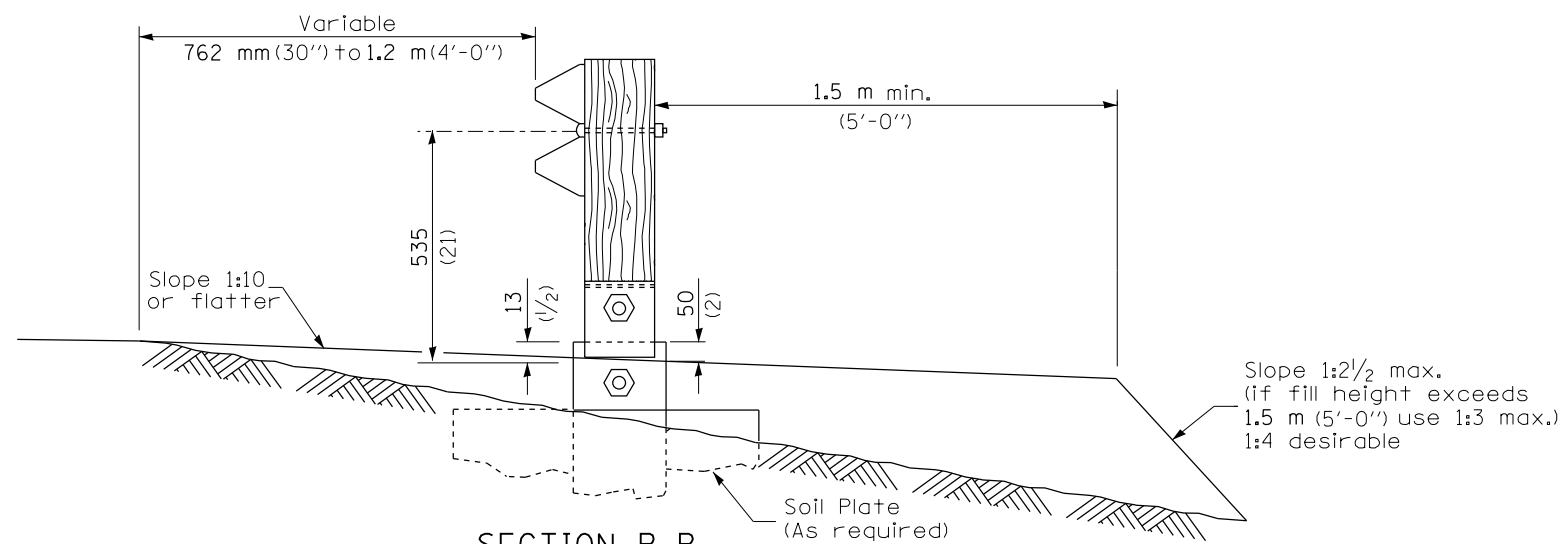


**SHOULDER WIDENING TRANSITION  
FOR FLARED TERMINAL**



**SECTION B-B**  
(End section omitted for clarity.)

FILE NAME =	USER NAME = sparksgw	DESIGNED -	REVISED -
c:\pwwork\pwwork\sparksgw\d0346074\06720-Pre-MGS HWAY_Standard 630301-03.dgn		DRAWN -	REVISED -
Default	PLOT SCALE = 26.0000' / in.	CHECKED -	REVISED -
	PLOT DATE = Jun-28-2013 11:41:22AM	DATE -	REVISED -

**STATE OF ILLINOIS  
DEPARTMENT OF TRANSPORTATION**

**PRE-MGS HIGHWAY STANDARD 630301-03  
SHOULDER WID. FOR TYPE 1 (SPL) GUARDRAIL TERMINAL  
EFFECTIVE 4-1-06**

F.A. RTE.	SECTION	COUNTY	TOTAL SHEETS	SHEET NO.
			17	11
CONTRACT NO. 72G20				

SCALE: SHEET OF SHEETS STA. TO STA.