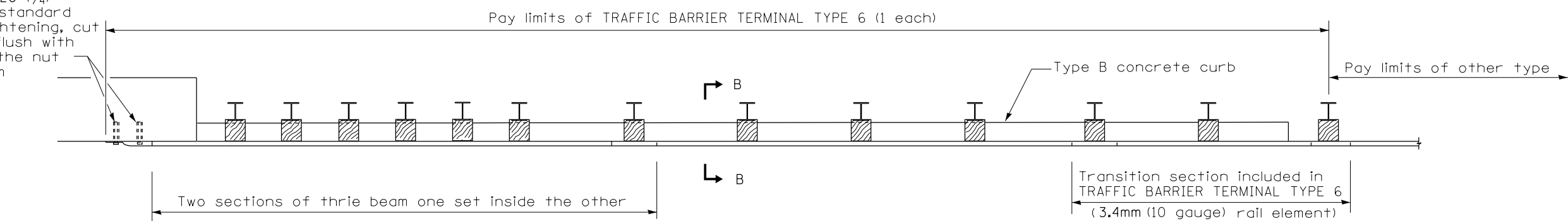
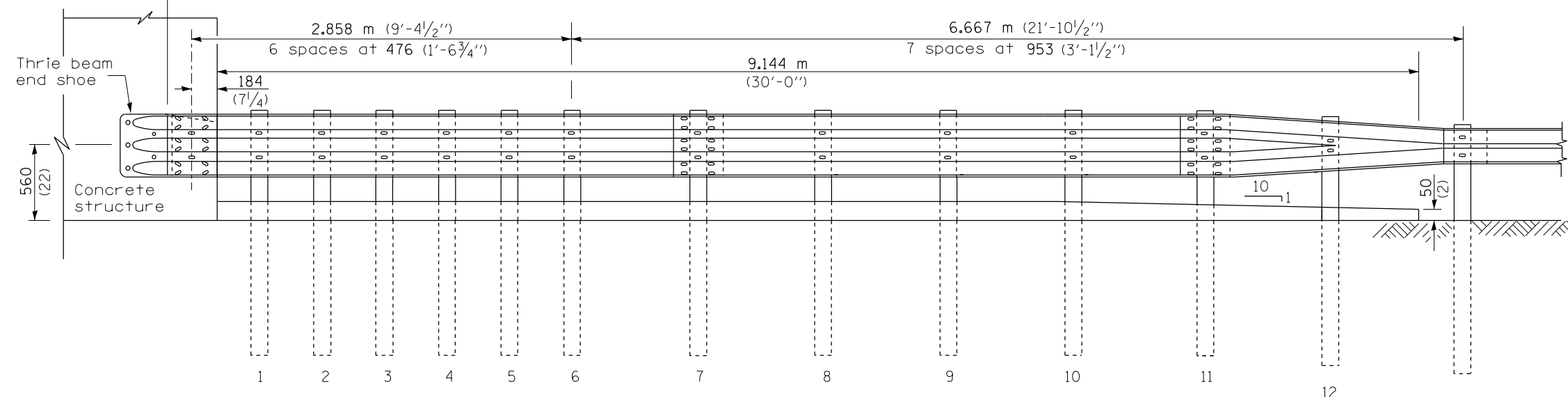


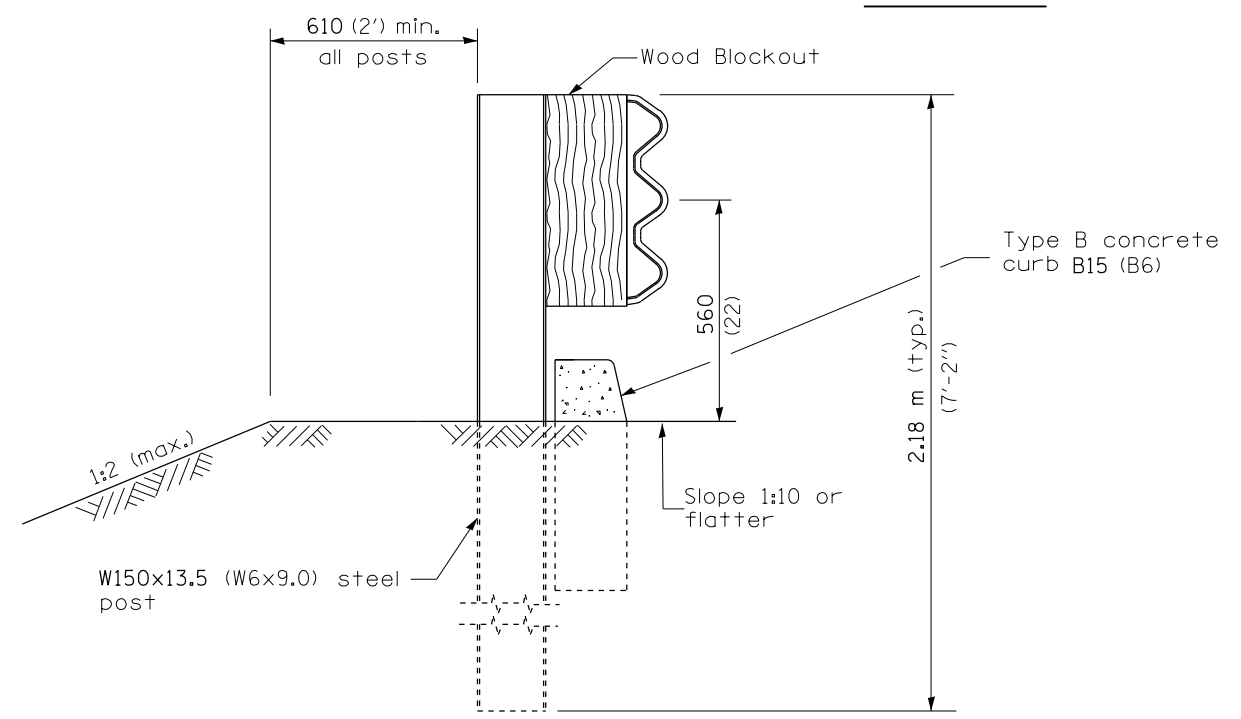
5 Epoxy grouted M20 (3/4") anchor bolts with standard washers. After tightening, cut the anchor bolts flush with nuts, and damage the nut to prevent it from loosening.



PLAN



ELEVATION



SECTION B-B

FILE NAME =	USER NAME = sparksgw	DESIGNED -	REVISED -
c:\pwork\pwork\sparksgw\d0346074\06720-Pre-MGS Highway Standard 631031-05.dgn		DRAWN -	REVISED -
Default	PLOT SCALE = 26.0000' / in.	CHECKED -	REVISED -
	PLOT DATE = Jun-28-2013 11:41:26AM	DATE -	REVISED -

STATE OF ILLINOIS  
DEPARTMENT OF TRANSPORTATION

PRE-MGS HIGHWAY STANDARD 631031-05  
TRAFFIC BARRIER TERMINAL, TYPE 6  
EFFECTIVE 4-1-06 (SHEET 2 OF 3)

F.A. RTE.	SECTION	COUNTY	TOTAL SHEETS	SHEET NO.
			17	15
CONTRACT NO. 72G20			ILLINOIS FED. AID PROJECT	

SCALE: SHEET OF SHEETS STA. TO STA.