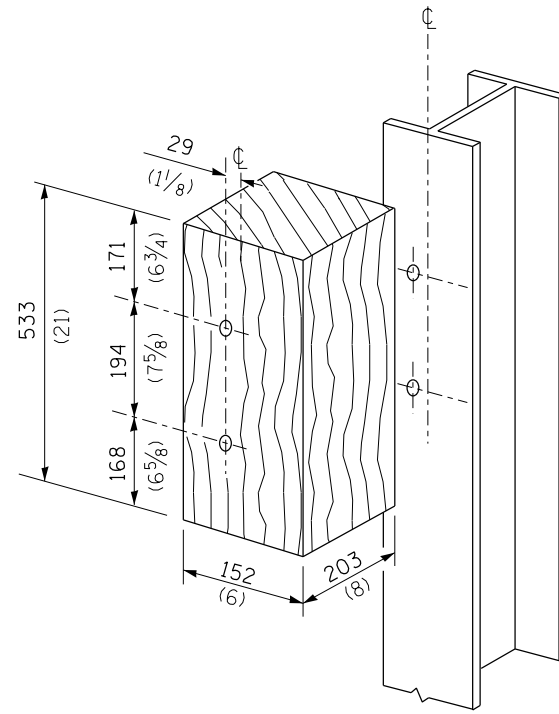
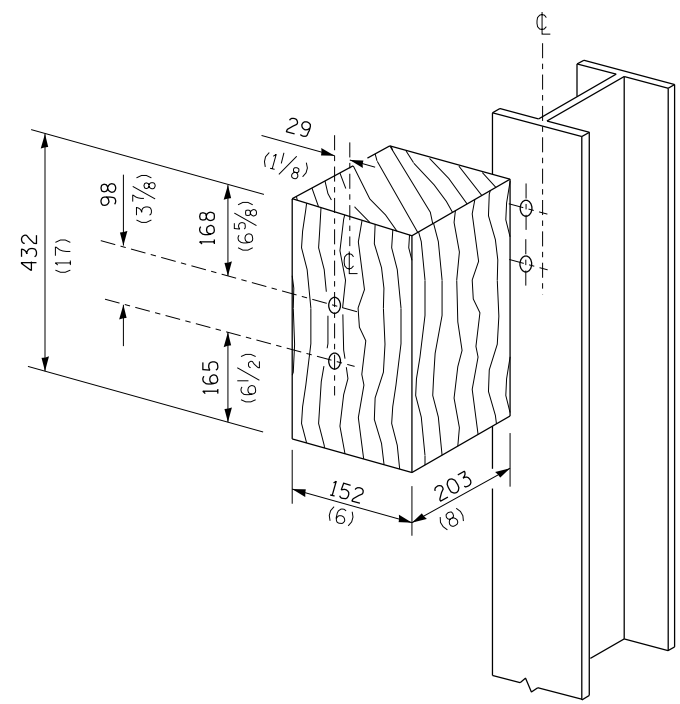


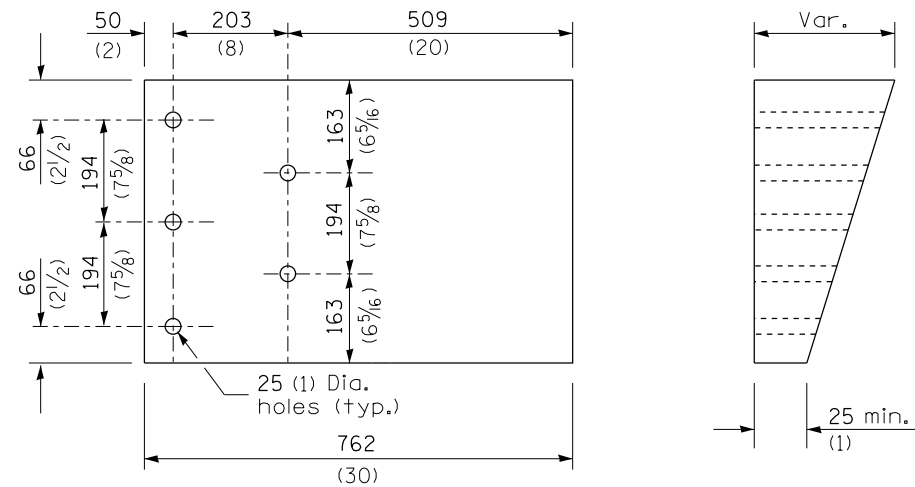
THRIE BEAM END SHOE DETAIL



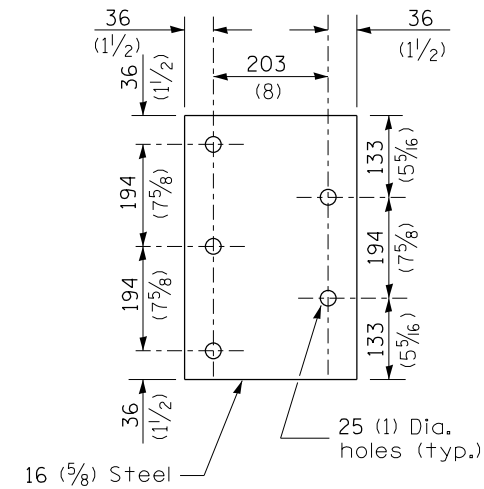
POSTS 1-11 WOOD BLOCKOUT DETAIL



POST 12 WOOD BLOCKOUT DETAIL



PARAPET WOOD BLOCK-OUT DETAIL



PARAPET STEEL BEARING PLATE DETAIL

(5 each individual 125x125x16 (5x5x5/8) steel plates with centered 25 (1) holes may be substituted for the plate shown.)

FILE NAME =	USER NAME = sparksgw	DESIGNED -	REVISED -	STATE OF ILLINOIS DEPARTMENT OF TRANSPORTATION	PRE-MGS HIGHWAY STANDARD 631031-05 TRAFFIC BARRIER TERMINAL, TYPE 6 EFFECTIVE 4-1-06 (SHEET 3 OF 3)			F.A. RTE.	SECTION	COUNTY	TOTAL SHEETS	SHEET NO.
Default	2020-Pre-MGS Highway Standard 631031-05.dgn	DRAWN -	REVISED -					VAR	.	.	17	16
	PLOT SCALE = 26.0000' / in.	CHECKED -	REVISED -					CONTRACT NO. 72G20				
	PLOT DATE = Jun-28-2013 11:41:27AM	DATE -	REVISED -					ILLINOIS FED. AID PROJECT				