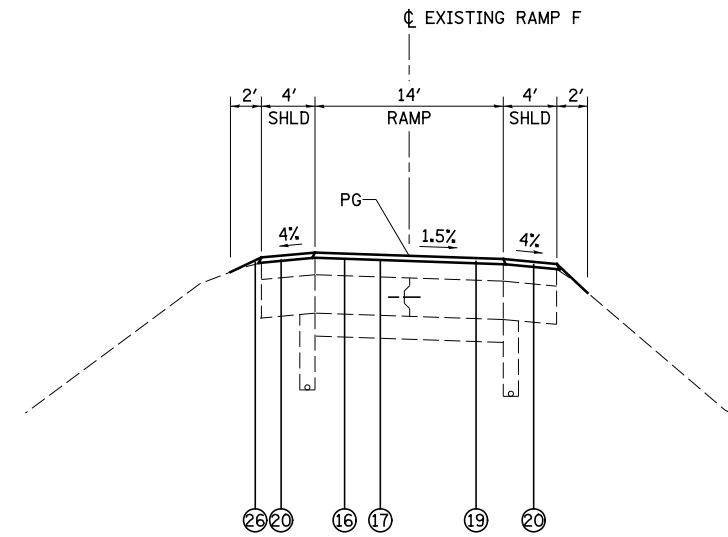


**PROPOSED RESURFACING
EXISTING RAMP F SUPERELEVATED SECTION**

STA 12+19.71 TO STA 19+60.65 (RAMP F)



**PROPOSED RESURFACING
RAMP F TANGENT SECTION**

STA 19+60.65 TO STA 24+30.03 (RAMP F)

LEGEND

- | | |
|--|---|
| ① PROPOSED LIME MODIFIED SOIL 12", 24" (SEE SCHEDULE) | ⑮ PROPOSED COARSE AGGREGATE - COST INCLUDED IN PORTLAND CEMENT CONCRETE SHOULDERS 13" |
| ② PROPOSED STABILIZED SUB-BASE 4" | ⑯ PROPOSED BITUMINOUS MATERIALS (PRIME COAT) |
| ③ PROPOSED CONTINUOUSLY REINFORCED PCC PAVEMENT 13" | ⑰ PROPOSED AGGREGATE (PRIME COAT) |
| ④ PROPOSED PAVEMENT REINFORCEMENT 13" | ⑱ PROPOSED LEVELING BINDER (MACHINE METHOD), N105 VARIES 0" TO 6" |
| ⑤ PROPOSED AGGREGATE SHOULDERS, TYPE B 6" | ⑲ PROPOSED POLYMERIZED HOT-MIX ASPHALT SURFACE COURSE, STONE MATRIX ASPHALT, N80 & VARIES |
| ⑥ PROPOSED PIPE UNDERDRAINS 6" | ⑳ PROPOSED HOT-MIX ASPHALT SHOULDERS, 2" & VARIES |
| ⑦ PROPOSED PORTLAND CEMENT CONCRETE SHOULDERS 13" | ㉑ PROPOSED CONCRETE MEDIAN, TYPE SM (DOWELLED) |
| ⑧ PROPOSED COMBINATION CONCRETE CURB & GUTTER, TYPE B-6.24 | ㉒ PROPOSED PORTLAND CEMENT CONCRETE SIDEWALK 4" |
| ⑨ PROPOSED CONCRETE BARRIER, DOUBLE FACE, 42 INCH HEIGHT | ㉓ PROPOSED BRIDGE APPROACH SLAB |
| ⑩ PROPOSED STEEL PLATE BEAM GUARD RAIL, TYPE A | ㉔ PROPOSED CONCRETE BARRIER BASE |
| ⑪ PROPOSED STORM SEWERS, CLASS A | ㉕ PROPOSED PIPE UNDERDRAIN 4" |
| ⑫ PROPOSED TOPSOIL 4" | ㉖ PROPOSED AGGREGATE WEDGE SHOULDER, TYPE B |
| ⑬ PROPOSED PCC PAVEMENT 10" (JOINTED) | ㉗ PROPOSED HOT-MIX ASPHALT SHOULDERS, 8" |
| ⑭ PROPOSED PCC PAVEMENT 9 3/4" (JOINTED) | ㉘ PROPOSED PAVEMENT FABRIC |
| | ㉙ SLAG MODIFIED CEMENT, 12" |

SEE LEGEND NOS. ③-④ FOR PAVEMENT COMPOSITION OF SHOULDERS AND DRIVING LANES

NOTES
PROPOSED SIDE SLOPES/DITCHES
VARY - SEE CROSS SECTIONS

LIMITS OF PROPOSED TOPSOIL
VARIES - SEE CROSS SECTIONS

FILE NAME =	USER NAME = #USER#	DESIGNED - JWS	REVISED -	STATE OF ILLINOIS DEPARTMENT OF TRANSPORTATION	PROPOSED TYPICAL SECTIONS RAMP F			F.A.I. RTE.	SECTION	COUNTY	TOTAL SHEETS	SHEET NO.
#FILEL#		DRAWN - BB	REVISED -		57/70	(25-4R)	EFFINGHAM	1760	70			
PLOT SCALE = #SCALE#		CHECKED - BRM	REVISED -		CONTRACT NO. 74295							
PLOT DATE = #DATE#		DATE - 01/22/09	REVISED -		SCALE: 1"=50'	SHEET NO. 25 OF 35 SHEETS	STA.	TO STA.	FED. ROAD DIST. NO.	ILLINOIS FED. AID PROJECT		