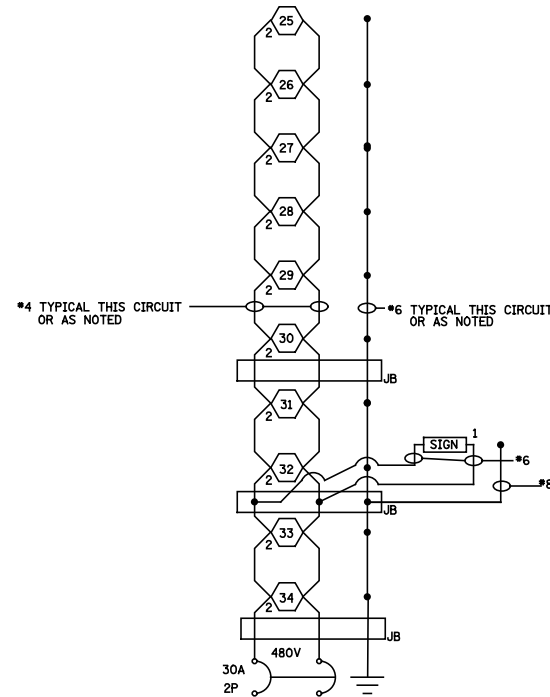
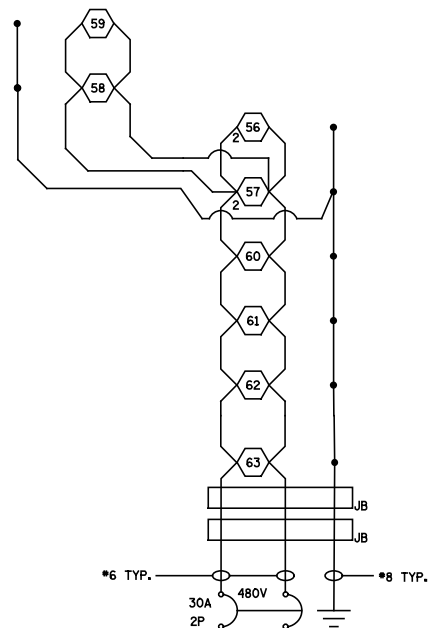


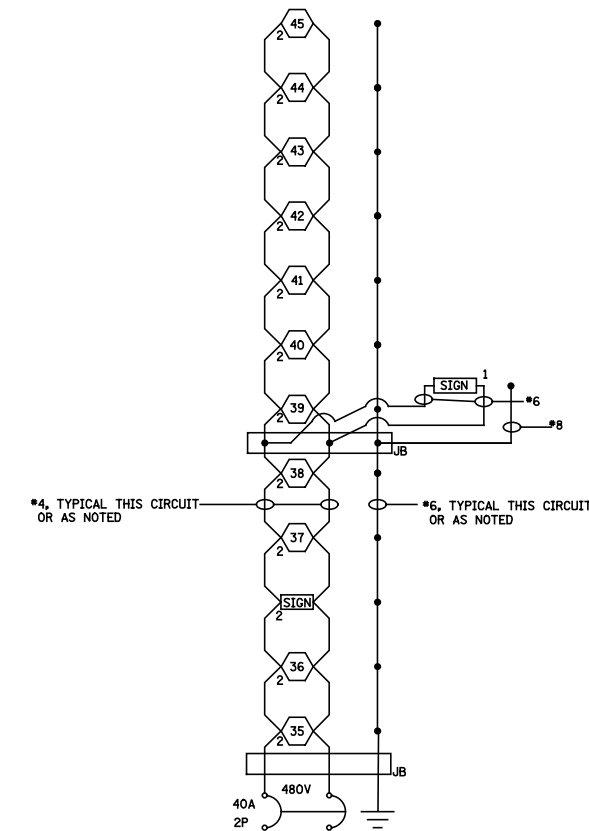
LIGHTING CKT 1 (PROPOSED)
PROPOSED LIGHTING CONTROLLER BASE MOUNTED



LIGHTING CKT 2 (PROPOSED)
PROPOSED LIGHTING CONTROLLER BASE MOUNTED



LIGHTING CKT 3 (PROPOSED)
PROPOSED LIGHTING CONTROLLER BASE MOUNTED



LIGHTING CKT 4 (PROPOSED)
PROPOSED LIGHTING CONTROLLER BASE MOUNTED

NOTES:

- ALL NECESSARY REVISIONS TO THE WIRING SHOWN ON THIS SHEET SHALL BE MADE AT NO ADDITIONAL COST TO THE DEPARTMENT AND TO THE SATISFACTION OF THE ENGINEER.

- 400W PROPOSED LUMINAIRE
- (2) 400W PROPOSED LUMINAIRES ON TWIN ARMS
- SIGN LIGHTING, NUMBER OF 150W LUMINAIRES AS INDICATED
- JUNCTION BOX

FILE NAME =	USER NAME = \$USER\$	DESIGNED - VG	REVISED -	STATE OF ILLINOIS DEPARTMENT OF TRANSPORTATION	WIRING DIAGRAM (PROPOSED CONTROLLER) NO.1			F.A.I. RTE.	SECTION	COUNTY	TOTAL SHEETS	SHEET NO.
S:\Projects\403-00072-57-70\dgn\W Trl\l\lighting_detail.dgn	DRAWN - PDB	REVISIONS -	REVISIONS -					57/70	(25-4)R	EFFINGHAM	1760	474
PLOT SCALE = \$SCALE\$	CHECKED - BRM	REVISIONS -	REVISIONS -		SCALE: SHEET NO. 27 OF 35 SHEETS STA. TO STA.		CONTRACT NO. 74295		FED. ROAD DIST. NO.	ILLINOIS FED. AID PROJECT		
PLOT DATE = \$DATE\$	DATE - 10-30-12	REVISIONS -	REVISIONS -		L-27							