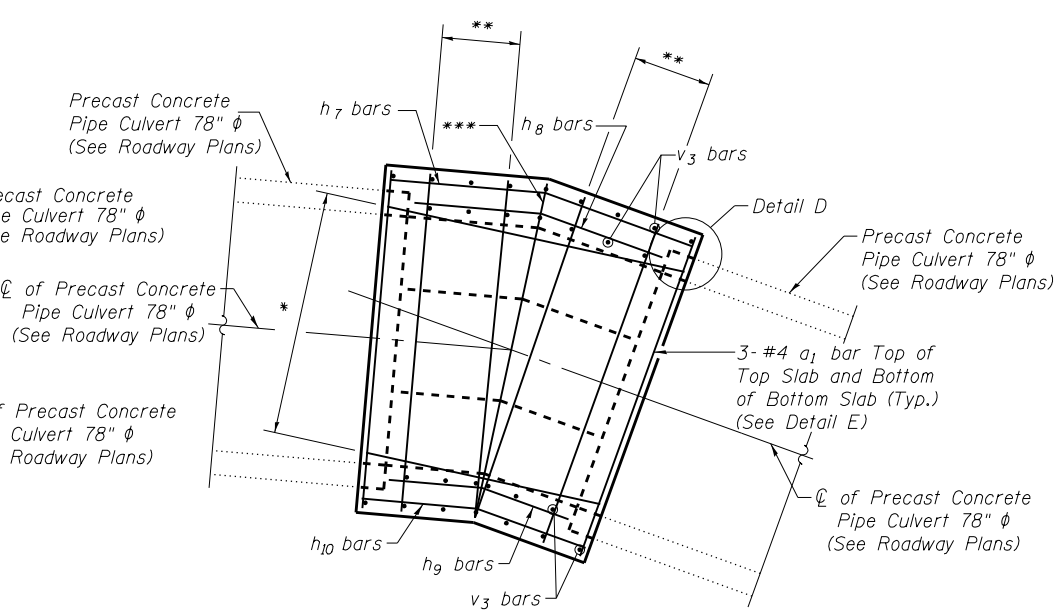
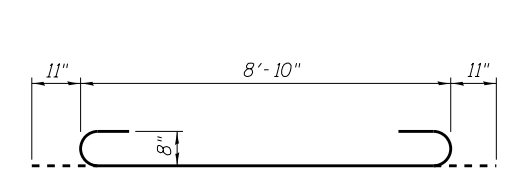


**DETAIL A**  
**SHOWING DIMENSIONS**  
**PLAN**

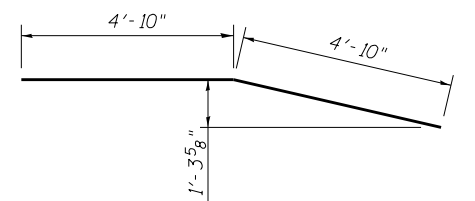


**DETAIL A**  
**SHOWING REINFORCEMENT**  
**PLAN**

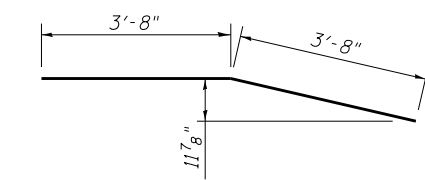
- \* 10-#5 h<sub>5</sub> bars at 9" cts. Bottom of Top Slab and Top of Bottom Slab (See Field Cutting Diagram)
- 10-#5 h<sub>6</sub> bars at 9" cts. Top of Top Slab and Bottom of Bottom Slab (See Field Cutting Diagram)
- \*\* 5-#8 a bars at 9" cts. Bottom of Top Slab and Top of Bottom Slab
- 2-#4 a<sub>1</sub> bars at 2'-0" cts. Top of Top Slab and Bottom of Bottom Slab
- \*\*\* 1-#8 a bar Bottom of Top Slab and Top of Bottom Slab
- 1-#4 a<sub>1</sub> bar Top of Top Slab and Bottom of Bottom Slab



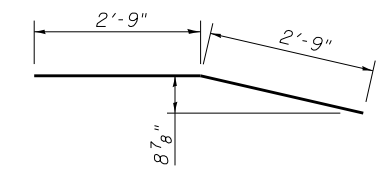
**BAR a**



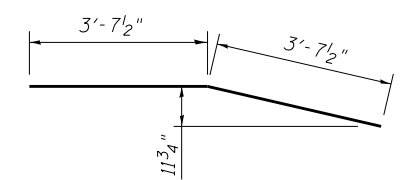
**BAR h<sub>7</sub>**



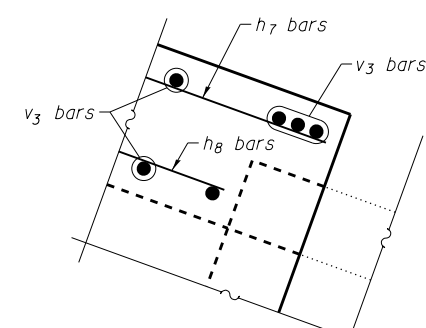
**BAR h<sub>8</sub>**



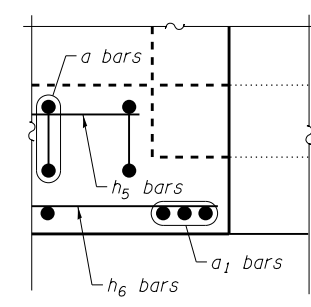
**BAR h<sub>9</sub>**



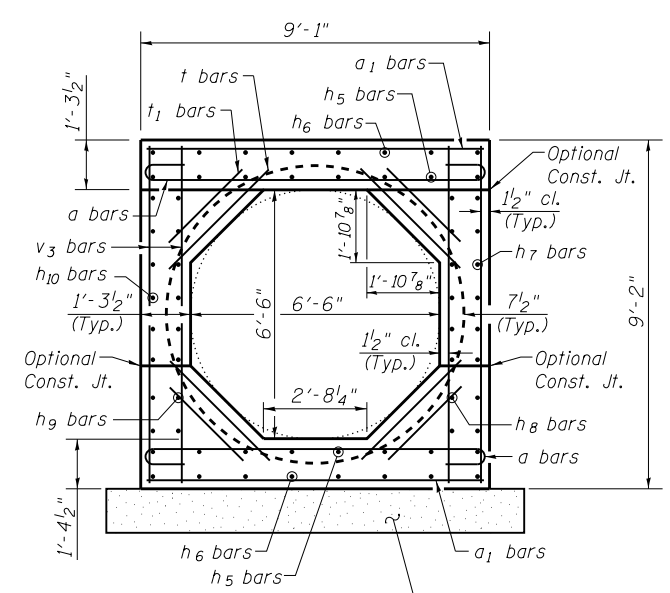
**BAR h<sub>10</sub>**



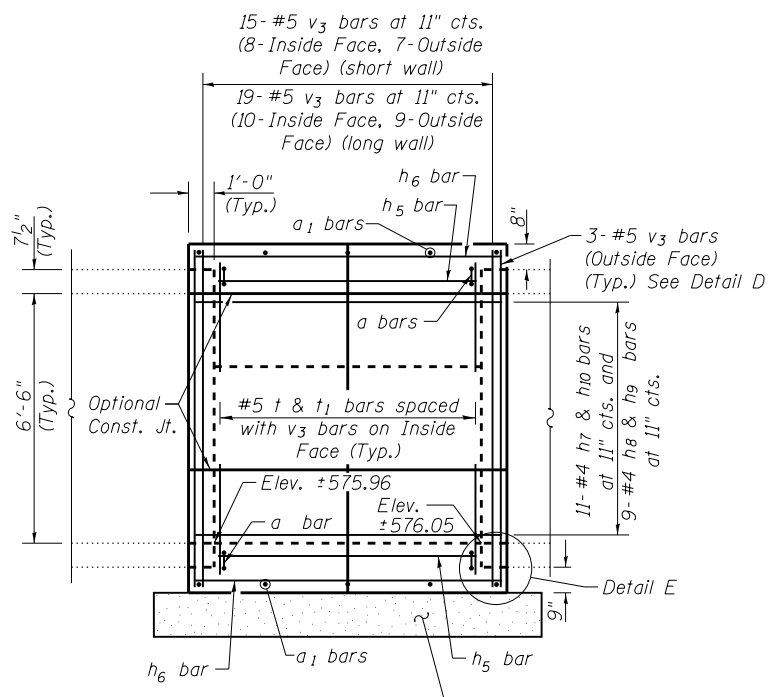
**Detail D**  
(Opposite Wall Similar)



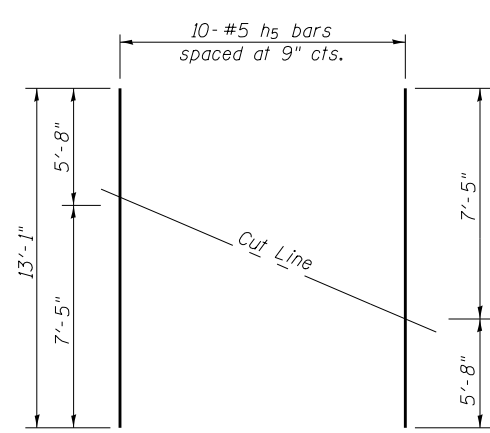
**Detail E**  
(Opposite Slab Similar)



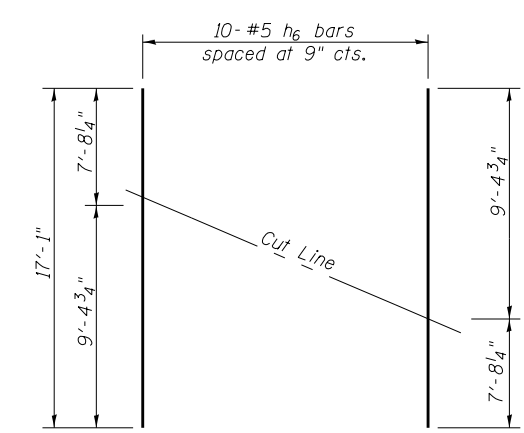
**END VIEW**  
**ELEVATION**  
(Looking Downstream)



**SIDE VIEW**  
**ELEVATION**



**FIELD CUTTING DIAGRAM**  
(h<sub>5</sub> bars)



**FIELD CUTTING DIAGRAM**  
(h<sub>6</sub> bars)

**DETAIL A**  
**BILL OF MATERIAL**

Bar	No.	Size	Length	Shape
a	22	#8	10'-8"	
a <sub>1</sub>	22	#4	8'-10"	
h <sub>5</sub>	10	#5	13'-1"	
h <sub>6</sub>	10	#5	17'-1"	
h <sub>7</sub>	11	#4	9'-8"	
h <sub>8</sub>	9	#4	7'-4"	
h <sub>9</sub>	9	#4	5'-6"	
h <sub>10</sub>	11	#4	7'-3"	
t	36	#5	3'-3"	
t <sub>1</sub>	36	#5	1'-10"	
v <sub>3</sub>	46	#5	8'-10"	
Concrete Box Culverts			Cu. Yd.	14.9
Reinforcement Bars			Pound	1890

Order h<sub>5</sub> and h<sub>6</sub> bars full length. Cut as shown.  
Use remainder of bar in opposite slab.

S:\Projects\403-00072\_57-70\Bridges\Culverts\US 45.dgn