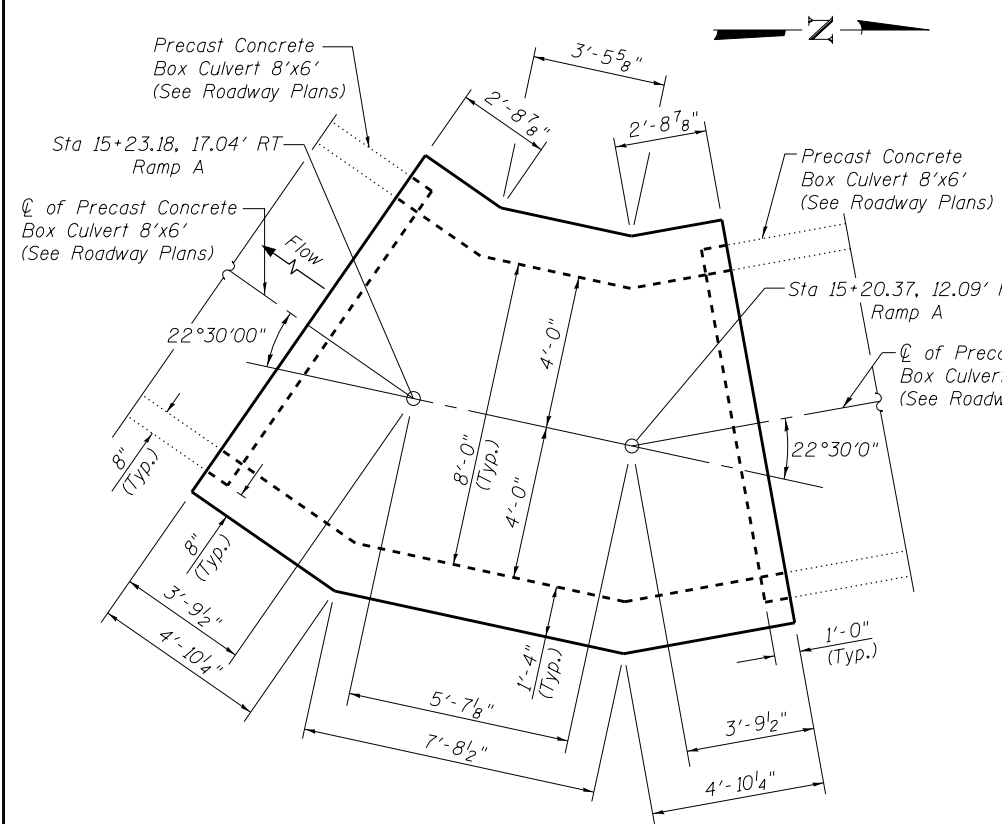
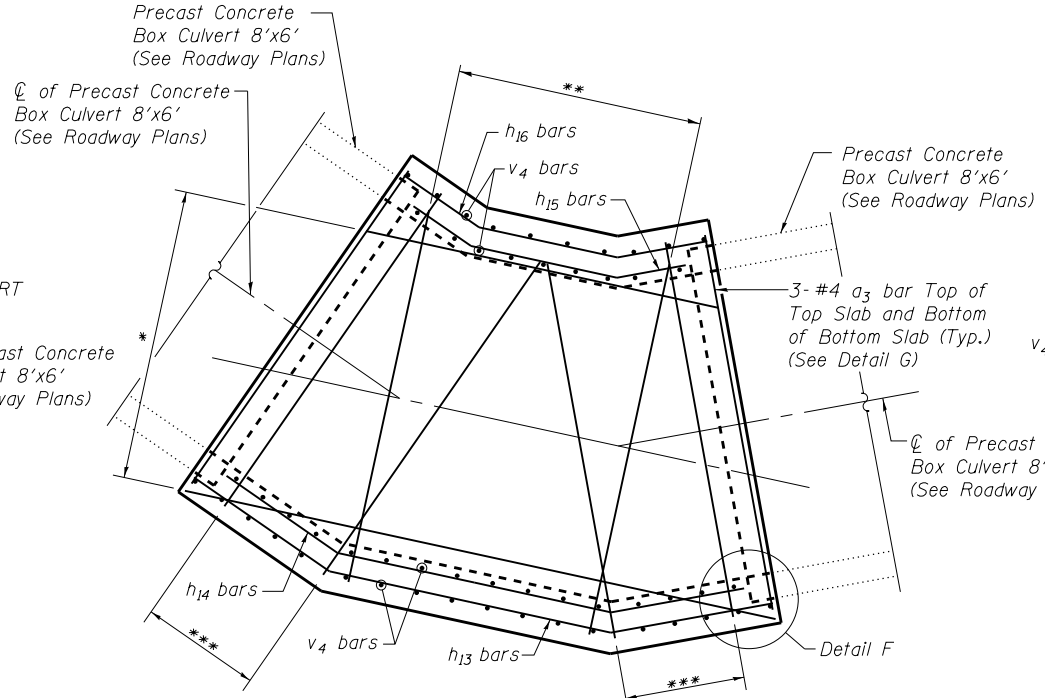


S:\Projects\403-0002_57-70\Bridges\Culverts\US 45.dgn

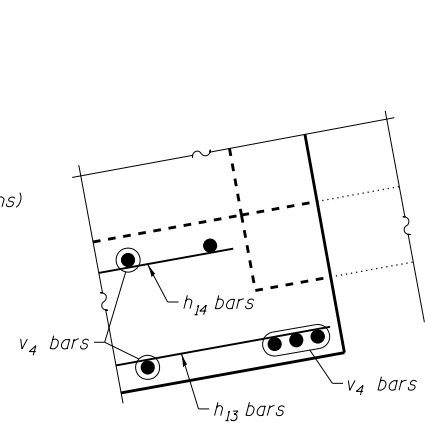


DETAIL B
SHOWING DIMENSIONS
PLAN

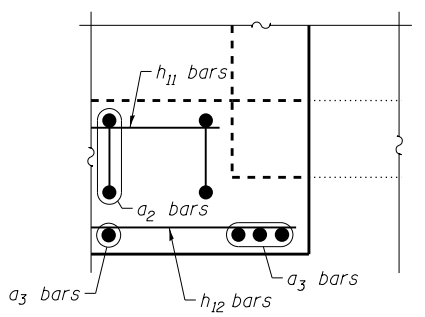


DETAIL B
SHOWING REINFORCEMENT
PLAN

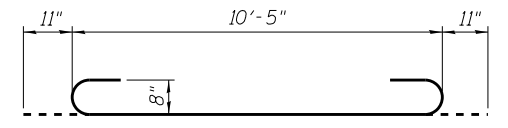
- * 8- #7 h11 bars at 13" cts. Bottom of Top Slab and Top of Bottom Slab (See Field Cutting Diagram)
- 8- #7 h12 bars at 13" cts. Top of Top Slab and Bottom of Bottom Slab (See Field Cutting Diagram)
- ** 12- #8 a2 bars at 7" cts. Bottom of Top Slab and Top of Bottom Slab
- 4- #4 a3 bars at 2'-0" cts. Top of Top Slab and Bottom of Bottom Slab
- *** 7- #8 a2 bars at 7" cts. Bottom of Top Slab and Top of Bottom Slab
- 2- #4 a3 bars at 2'-0" cts. Top of Top Slab and Bottom of Bottom Slab



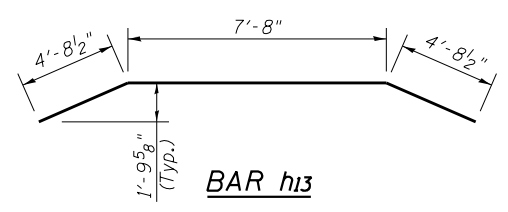
Detail F
(Opposite Wall Similar)



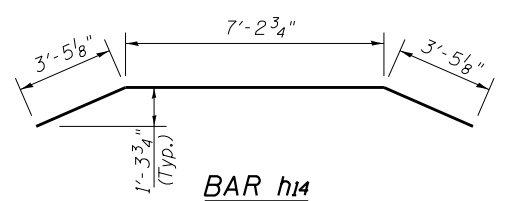
Detail G
(Opposite Slab Similar)



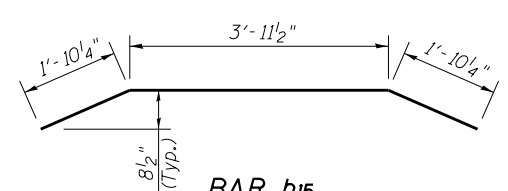
BAR a2



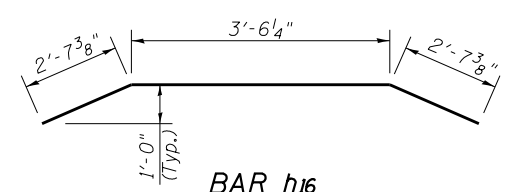
BAR h13



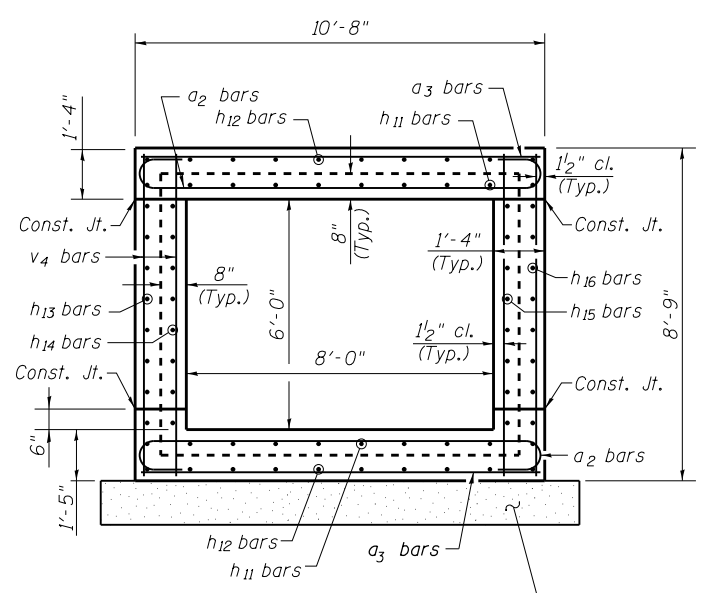
BAR h14



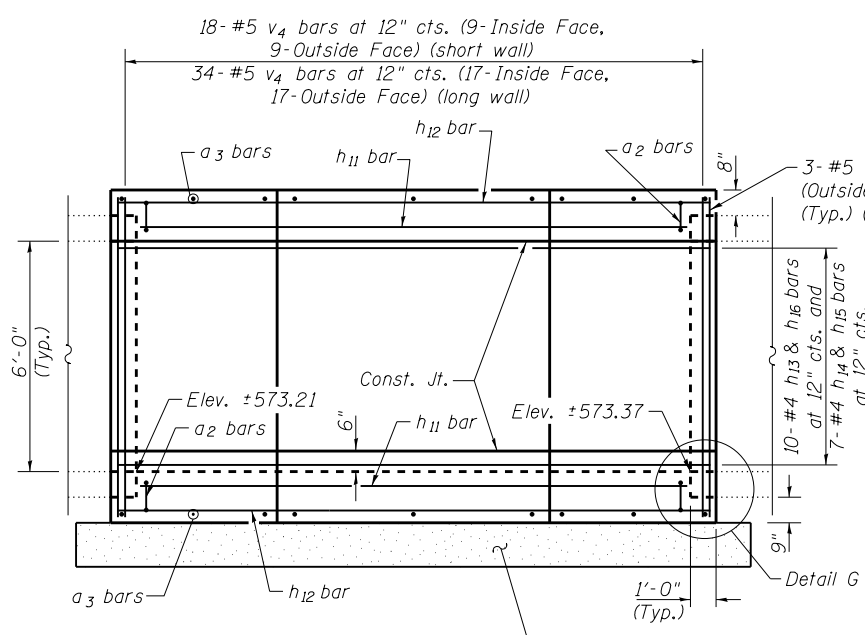
BAR h15



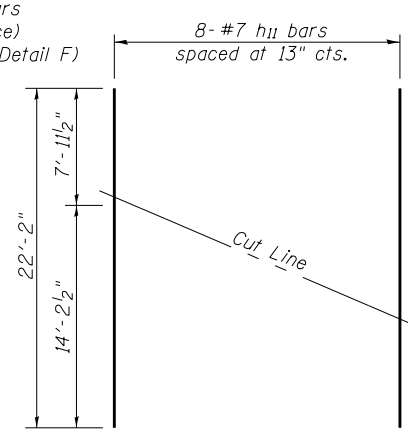
BAR h16



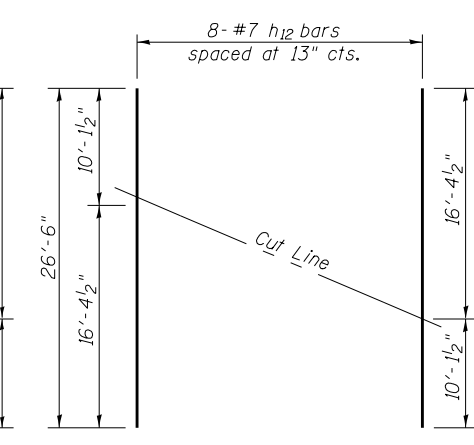
END VIEW
ELEVATION
(Looking Downstream)



SIDE VIEW
ELEVATION



FIELD CUTTING DIAGRAM
(h11 bars)



FIELD CUTTING DIAGRAM
(h12 bars)

DETAIL B
BILL OF MATERIAL

Bar	No.	Size	Length	Shape
a2	52	#8	12'-3"	
a3	28	#4	10'-5"	
h11	8	#7	22'-2"	
h12	8	#7	26'-6"	
h13	10	#4	17'-1"	
h14	7	#4	14'-1"	
h15	7	#4	7'-8"	
h16	10	#4	8'-9"	
v4	64	#5	8'-5"	
Concrete Box Culverts				Cu. Yd. 20.7
Reinforcement Bars				Pound 3530

Order h11 and h12 bars full length. Cut as shown. Use remainder of bar in opposite slab.