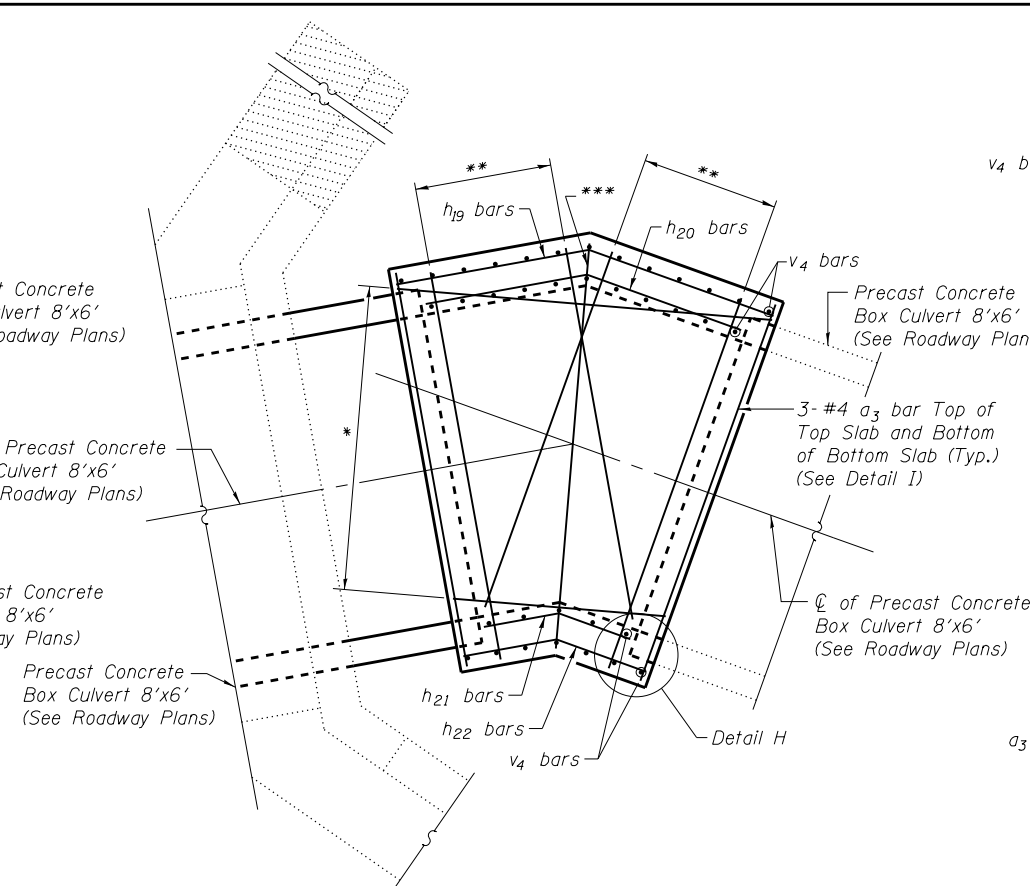


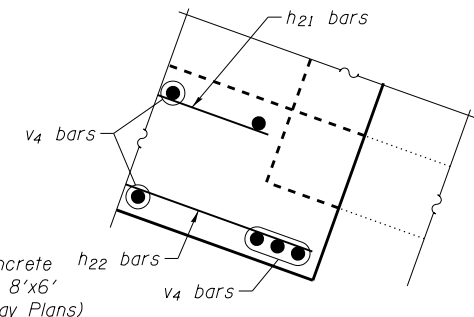
**DETAIL C  
SHOWING DIMENSIONS  
PLAN**

Indicates Concrete Removal

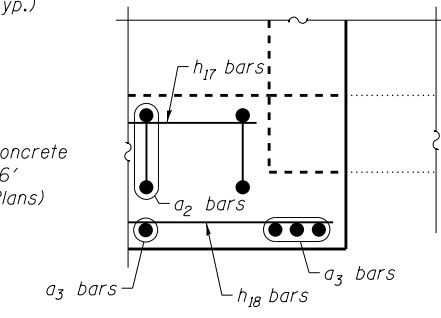


**DETAIL C  
SHOWING REINFORCEMENT  
PLAN**

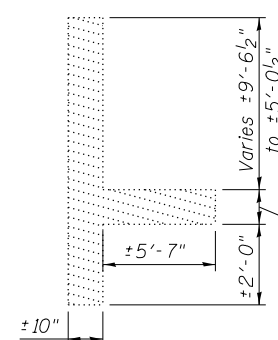
- \* 8-#7 h<sub>17</sub> bars at 13" cts. Bottom of Top Slab and Top of Bottom Slab (See Field Cutting Diagram)
- 8-#7 h<sub>18</sub> bars at 13" cts. Top of Top Slab and Bottom of Bottom Slab (See Field Cutting Diagram)
- \*\* 7-#8 a<sub>2</sub> bars at 7" cts. Bottom of Top Slab and Top of Bottom Slab
- 2-#4 a<sub>3</sub> bars at 2'-0" cts. Top of Top Slab and Bottom of Bottom Slab
- \*\*\* 1-#8 a<sub>2</sub> bar. Bottom of Top Slab and Top of Bottom Slab
- 1-#4 a<sub>3</sub> bar. Top of Top Slab and Bottom of Bottom Slab



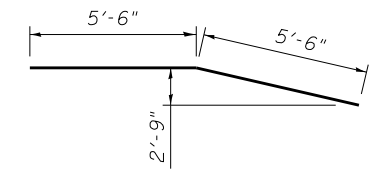
**Detail H  
(Opposite Wall Similar)**



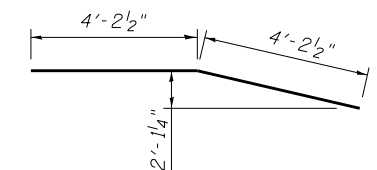
**Detail I  
(Opposite Slab Similar)**



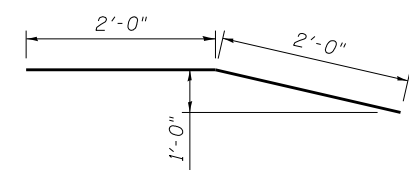
**SECTION A-A**



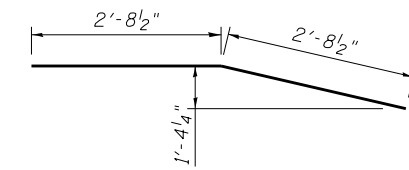
**BAR h<sub>19</sub>**



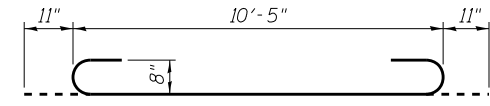
**BAR h<sub>20</sub>**



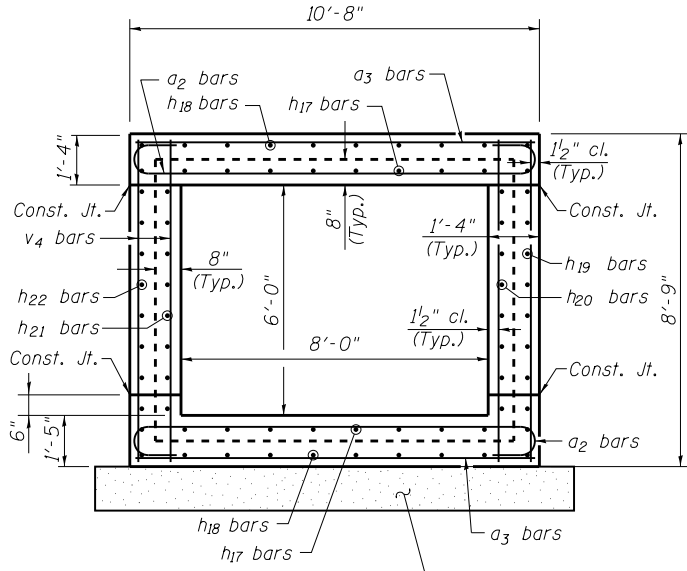
**BAR h<sub>21</sub>**



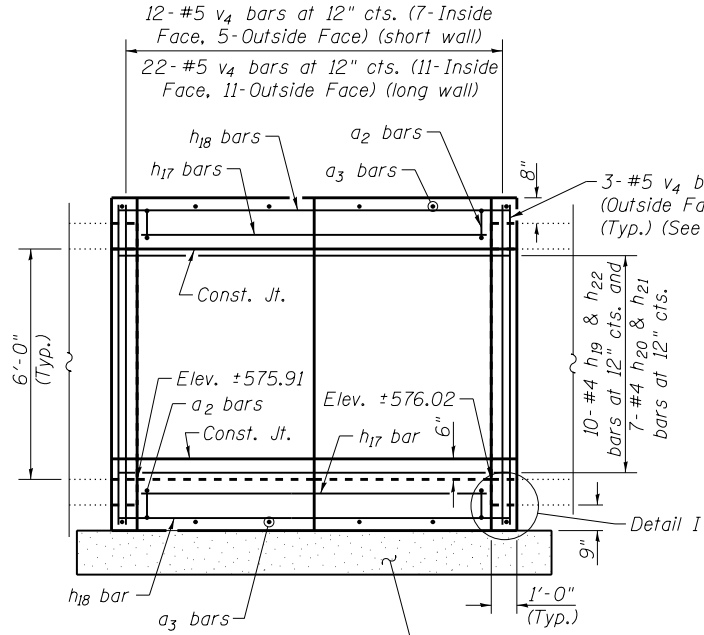
**BAR h<sub>22</sub>**



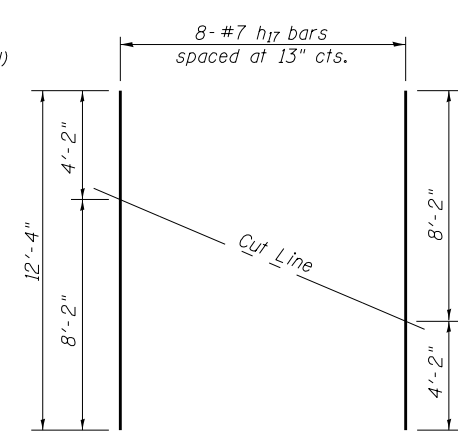
**BAR a<sub>2</sub>**



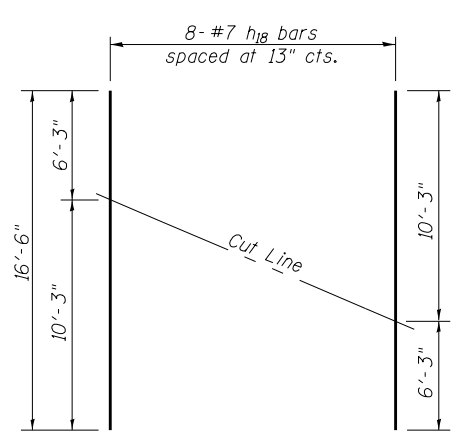
**END VIEW  
ELEVATION  
(Looking Downstream)**



**SIDE VIEW  
ELEVATION**



**FIELD CUTTING DIAGRAM  
(h<sub>17</sub> bars)**



**FIELD CUTTING DIAGRAM  
(h<sub>18</sub> bars)**

**DETAIL C  
BILL OF MATERIAL**

Bar	No.	Size	Length	Shape
a <sub>2</sub>	30	#8	12'-3"	
a <sub>3</sub>	22	#4	10'-5"	
h <sub>17</sub>	8	#7	12'-4"	
h <sub>18</sub>	8	#7	16'-6"	
h <sub>19</sub>	10	#4	11'-0"	
h <sub>20</sub>	7	#4	8'-5"	
h <sub>21</sub>	7	#4	4'-0"	
h <sub>22</sub>	10	#4	5'-5"	
v <sub>4</sub>	46	#5	8'-5"	
Concrete Box Culverts		Cu. Yd.	12.8	
Reinforcement Bars		Pound	2180	
Concrete Removal		Cu. Yd.	6.3	

Order h<sub>17</sub> and h<sub>18</sub> bars full length. Cut as shown. Use remainder of bar in opposite slab.

S:\Projects\403-00072\_57-70\Bridges\Culverts\US 45.dgn