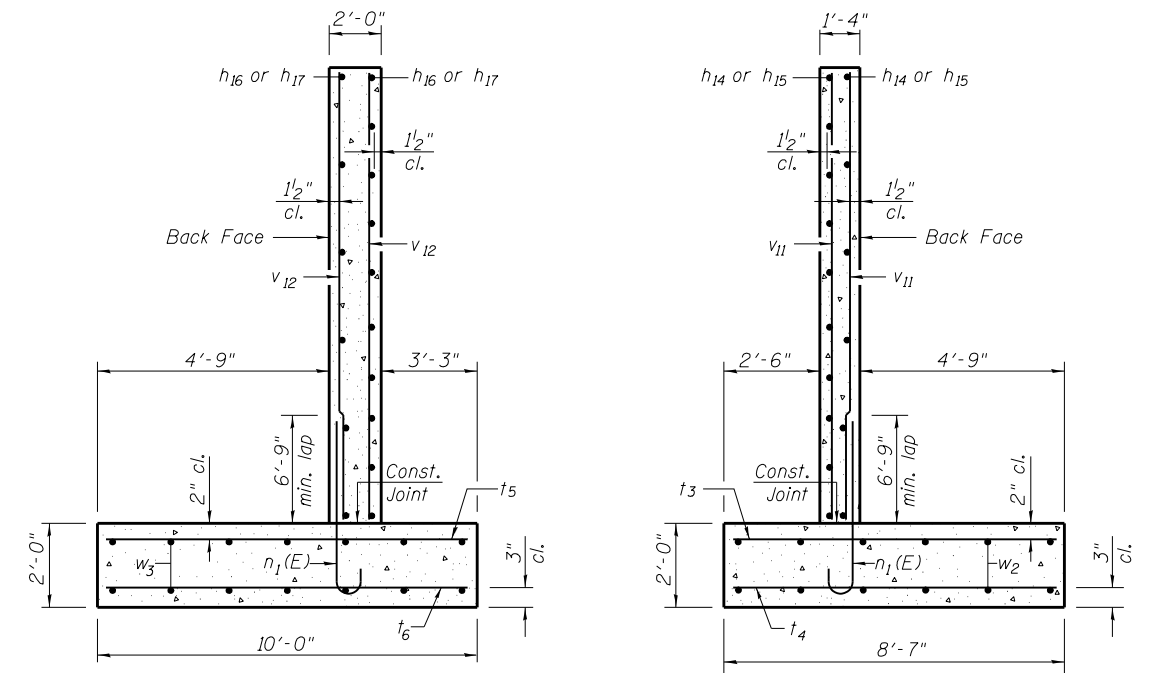


**LONGITUDINAL SECTION**

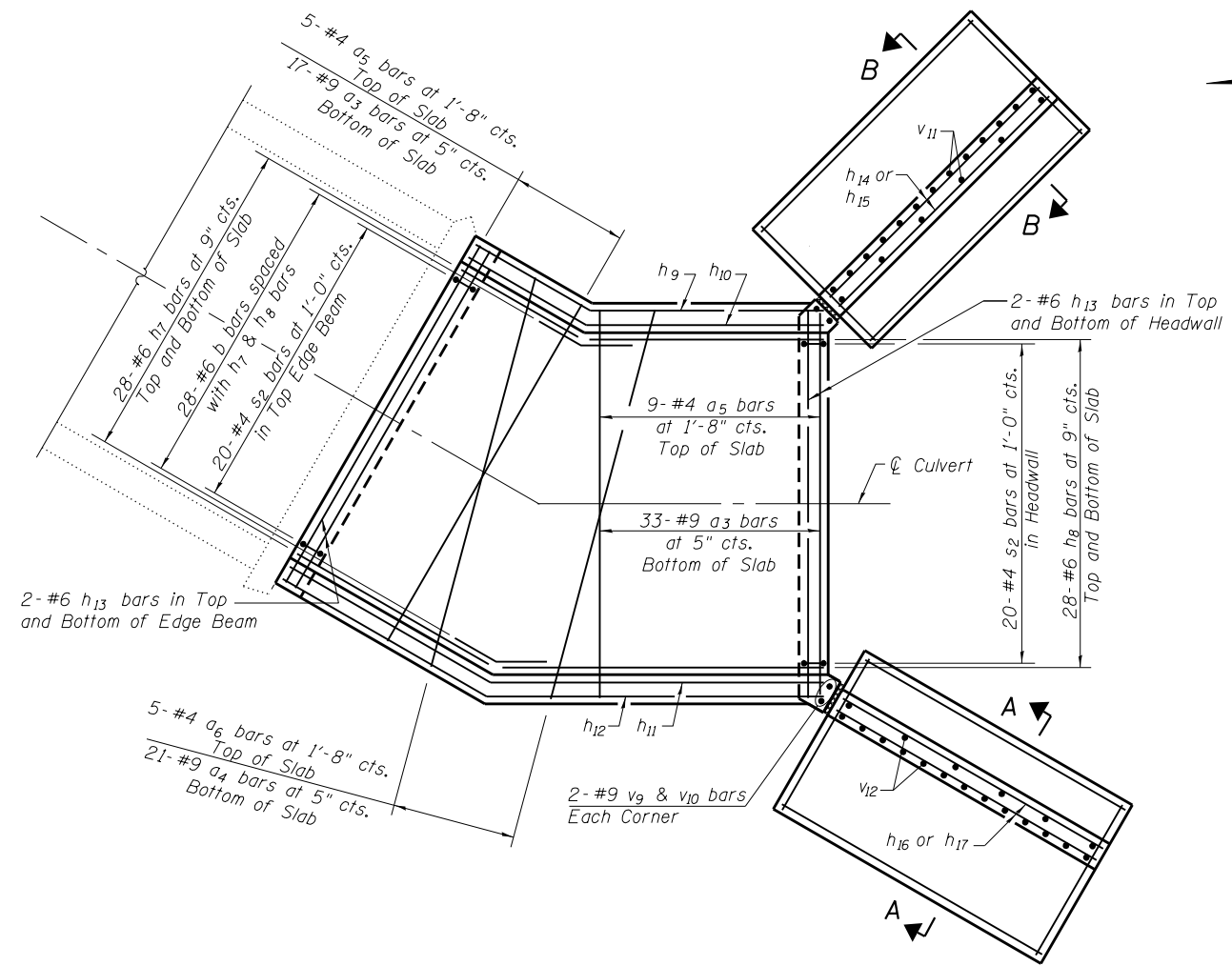


**SECTION A-A**

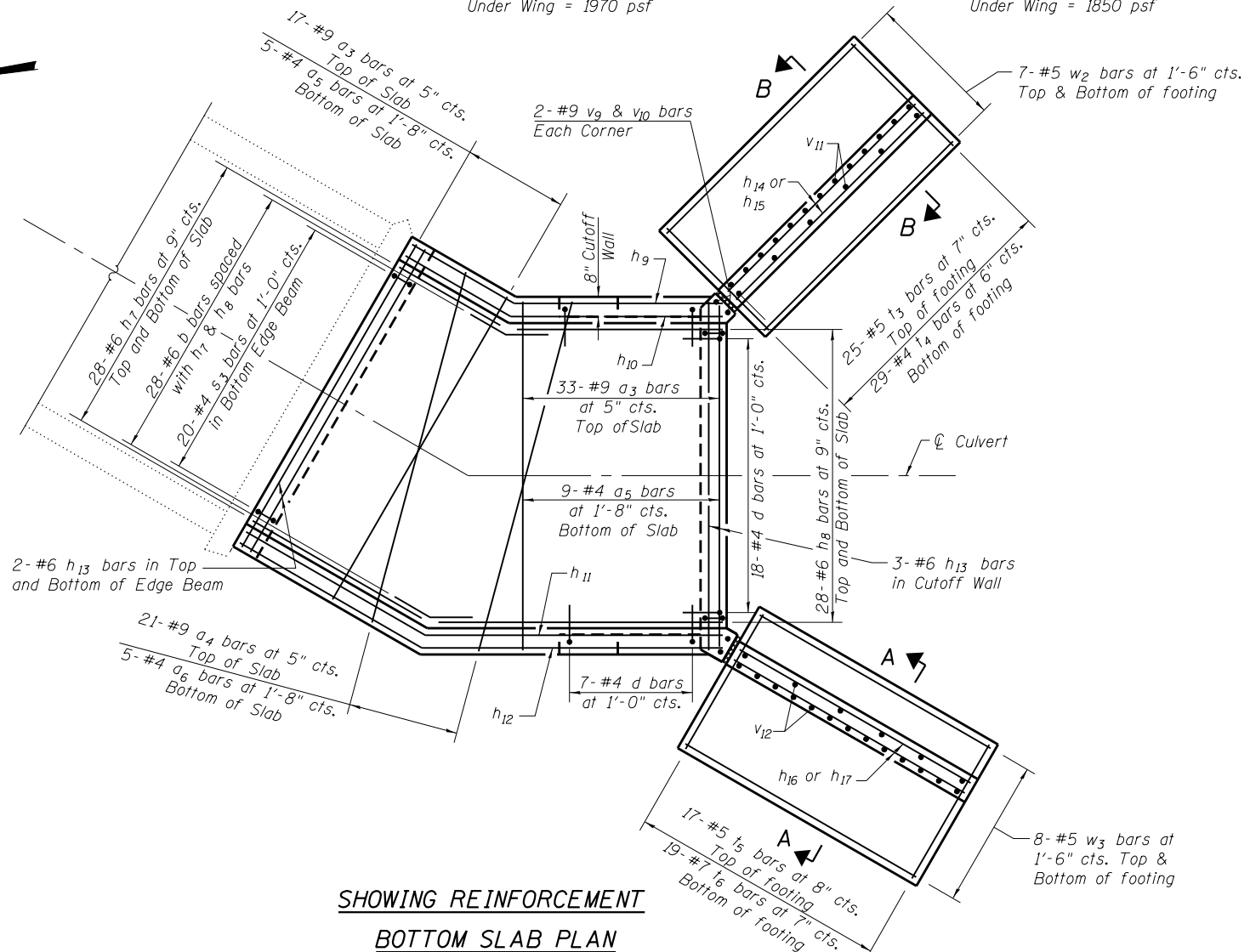
Max. Soil Pressure Under Wing = 1970 psf

**SECTION B-B**

Max. Soil Pressure Under Wing = 1850 psf



**SHOWING REINFORCEMENT TOP SLAB PLAN**  
(v6, v7 & v8 bars not shown for clarity)



**SHOWING REINFORCEMENT BOTTOM SLAB PLAN**  
(v6, v7 & v8 bars not shown for clarity)

SVProj.ctb 403.0007.2.5770.Bridges\Bridg 025-8648 Y shaped culvert under US 45\DWG\Final Design CAD Drawings\0258648\74295-007-S Ext Dis 02.dgn

FILE NAME = 0258648-74295-007-S Ext Dis	DESIGNED - ACS	REVISIONS -	STATE OF ILLINOIS DEPARTMENT OF TRANSPORTATION	SOUTH EXTENSION DETAILS STRUCTURE NO. 025-8648	SHEET NO. 7 OF 12 SHEETS	F.A.I. R.E. = 57/70	SECTION = (25-4HV-1)BY	COUNTY = EFFINGHAM	TOTAL SHEETS = 1760	SHEET NO. = 526
BERNARDEN LOCHMULLER & ASSOCIATES, INC. 3 OAK DRIVE MARYVILLE, ILLINOIS 62952 PHONE (618) 285-4666 FAX (618) 285-4666	ILLINOIS Design Firm Number 184.001670	CHECKED - BB				REVISIONS -	CONTRACT NO. 74295			
PLOT SCALE =	DRAWN - WJS	REVISIONS -				ILLINOIS FED. AID PROJECT				
PLOT DATE = 2:54:31 PM 5/1/2013	CHECKED - CJF	REVISIONS -								