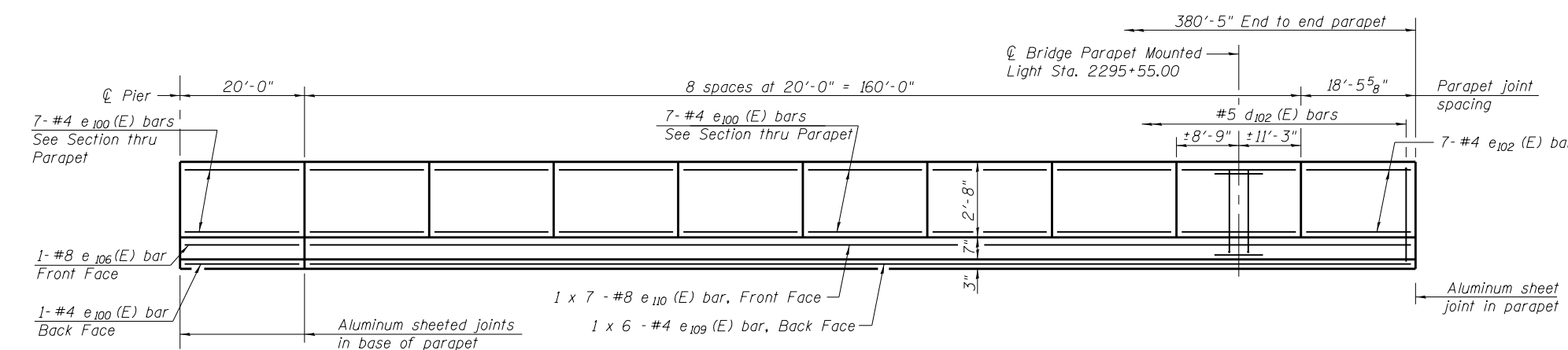
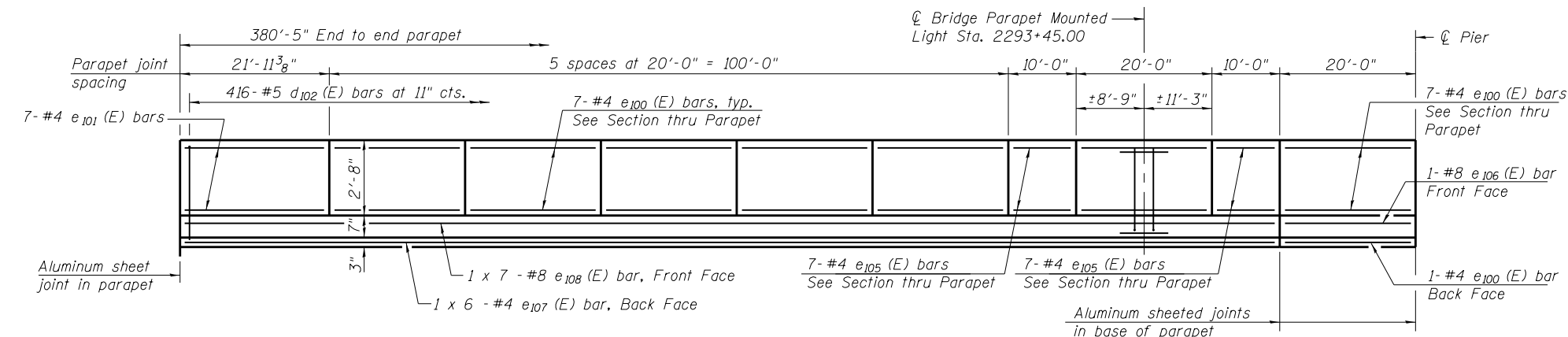


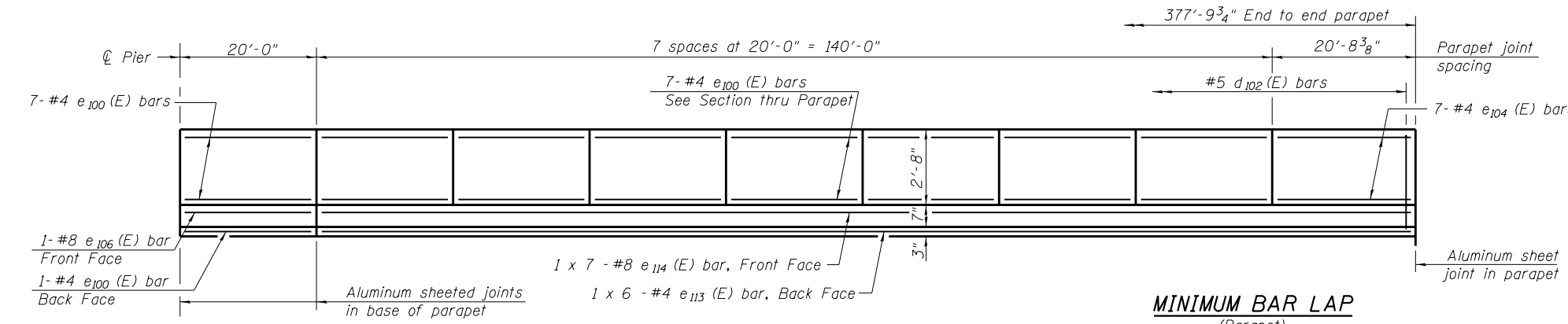
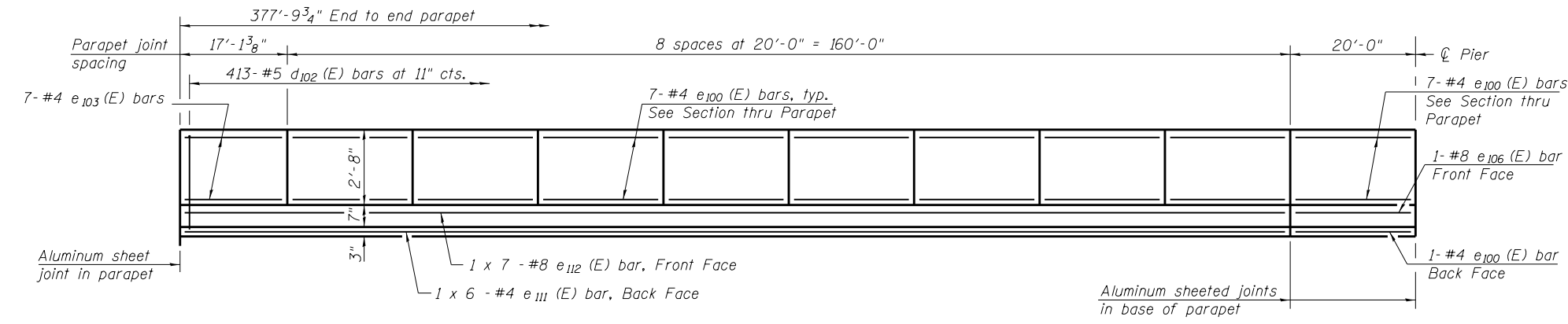
**SUPERSTRUCTURE
BILL OF MATERIAL**

Bar	No.	Size	Length	Shape
a ₁₀₀ (E)	38	#6	32'-2"	—
a ₁₀₁ (E)	716	#6	32'-0"	—
a ₁₀₂ (E)	22	#6	33'-9"	—
a ₁₀₃ (E)	430	#6	32'-0"	—
a ₁₀₄ (E)	4	#6	37'-6"	—
a ₁₀₅ (E)	24	#6	40'-0"	—
a ₁₀₆ (E)	1412	#6	23'-6"	—
a ₁₀₇ (E)	26	#6	46'-2"	—
a ₁₀₈ (E)	14	#6	40'-7"	—
a ₁₀₉ (E)	1272	#6	16'-9"	—
a ₁₁₀ (E)	15	#6	47'-5"	—
a ₁₁₁ (E)	4	#6	25'-0"	—
a ₁₁₂ (E)	4	#6	27'-6"	—
a ₁₁₈ (E)	1512	#6	6'-6"	—
b ₁₀₀ (E)	975	#5	31'-5"	—
b ₁₀₁ (E)	91	#5	31'-8"	—
b ₁₀₂ (E)	21	#5	30'-7"	—
b ₁₀₃ (E)	1316	#5	29'-7"	—
b ₁₀₄ (E)	400	#6	24'-8"	—
d ₁₀₀ (E)	416	#5	8'-0"	L
d ₁₀₁ (E)	413	#5	7'-5"	L
d ₁₀₂ (E)	829	#5	6'-10"	L
d ₁₀₃ (E)	12	#6	8'-11"	L
d ₁₀₄ (E)	6	#6	5'-1"	L
e ₁₀₀ (E)	235	#4	19'-9"	—
e ₁₀₁ (E)	7	#4	21'-8"	—
e ₁₀₂ (E)	7	#4	18'-2"	—
e ₁₀₃ (E)	7	#4	16'-10"	—
e ₁₀₄ (E)	7	#4	20'-5"	—
e ₁₀₅ (E)	14	#4	9'-9"	—
e ₁₀₆ (E)	4	#8	19'-9"	—
e ₁₀₇ (E)	6	#4	28'-8"	—
e ₁₀₈ (E)	7	#8	27'-7"	—
e ₁₀₉ (E)	6	#4	31'-5"	—
e ₁₁₀ (E)	7	#8	29'-11"	—
e ₁₁₁ (E)	6	#4	31'-3"	—
e ₁₁₂ (E)	7	#8	29'-9"	—
e ₁₁₃ (E)	6	#4	28'-6"	—
e ₁₁₄ (E)	7	#8	27'-5"	—
m ₁₀₀ (E)	12	#6	3'-1"	—
m ₁₀₁ (E)	36	#6	10'-0"	—
m ₁₀₂ (E)	6	#6	2'-3"	—
m ₁₀₃ (E)	6	#6	3'-6"	—
m ₁₀₄ (E)	24	#6	10'-3"	—
m ₁₀₅ (E)	12	#6	8'-3"	—
m ₁₀₆ (E)	12	#6	3'-10"	—
m ₁₀₇ (E)	7	#6	37'-7"	—
m ₁₀₈ (E)	14	#6	25'-2"	—
m ₁₀₉ (E)	108	#5	4'-0"	—
m ₁₁₀ (E)	6	#6	2'-3"	—
m ₁₁₁ (E)	6	#6	3'-6"	—
m ₁₁₂ (E)	12	#6	10'-9"	—
m ₁₁₃ (E)	7	#6	37'-7"	—
m ₁₁₄ (E)	14	#6	27'-5"	—
s ₁₀₀ (E)	131	#5	16'-6"	□
s ₁₀₁ (E)	165	#5	12'-5"	□
Reinforcement Bars, Epoxy Coated	Pound		278,780	
Concrete Superstructure	Cu. Yd.		1042.7	
Bridge Deck Grooving	Sq. Yd.		3459	
Protective Coat	Sq. Yd.		4065	
Diamond Grinding (Bridge Section)	Sq. Yd.		3459	

Bars indicated thus 1 x 6 - #4 etc. indicates 1 line of bars with 6 lengths per line.

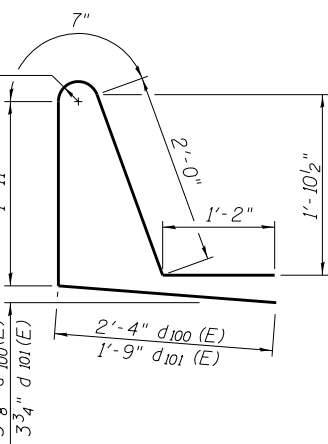
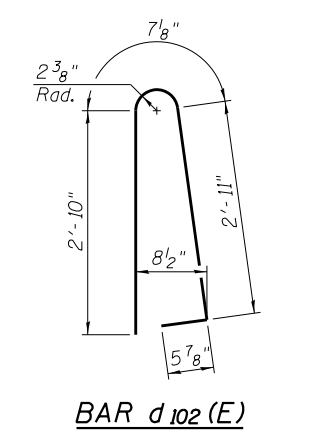


INSIDE ELEVATION OF PARAPET
(North Parapet)

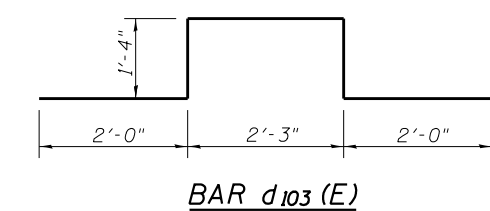


INSIDE ELEVATION OF PARAPET
(South Parapet)

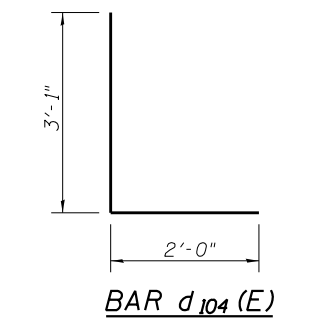
MINIMUM BAR LAP
(Parapet)
#4 bar = 2'-0"
#8 bar = 5'-2"



BAR d₁₀₀ (E) & d₁₀₁ (E)



BAR d₁₀₃ (E)



BAR d₁₀₄ (E)